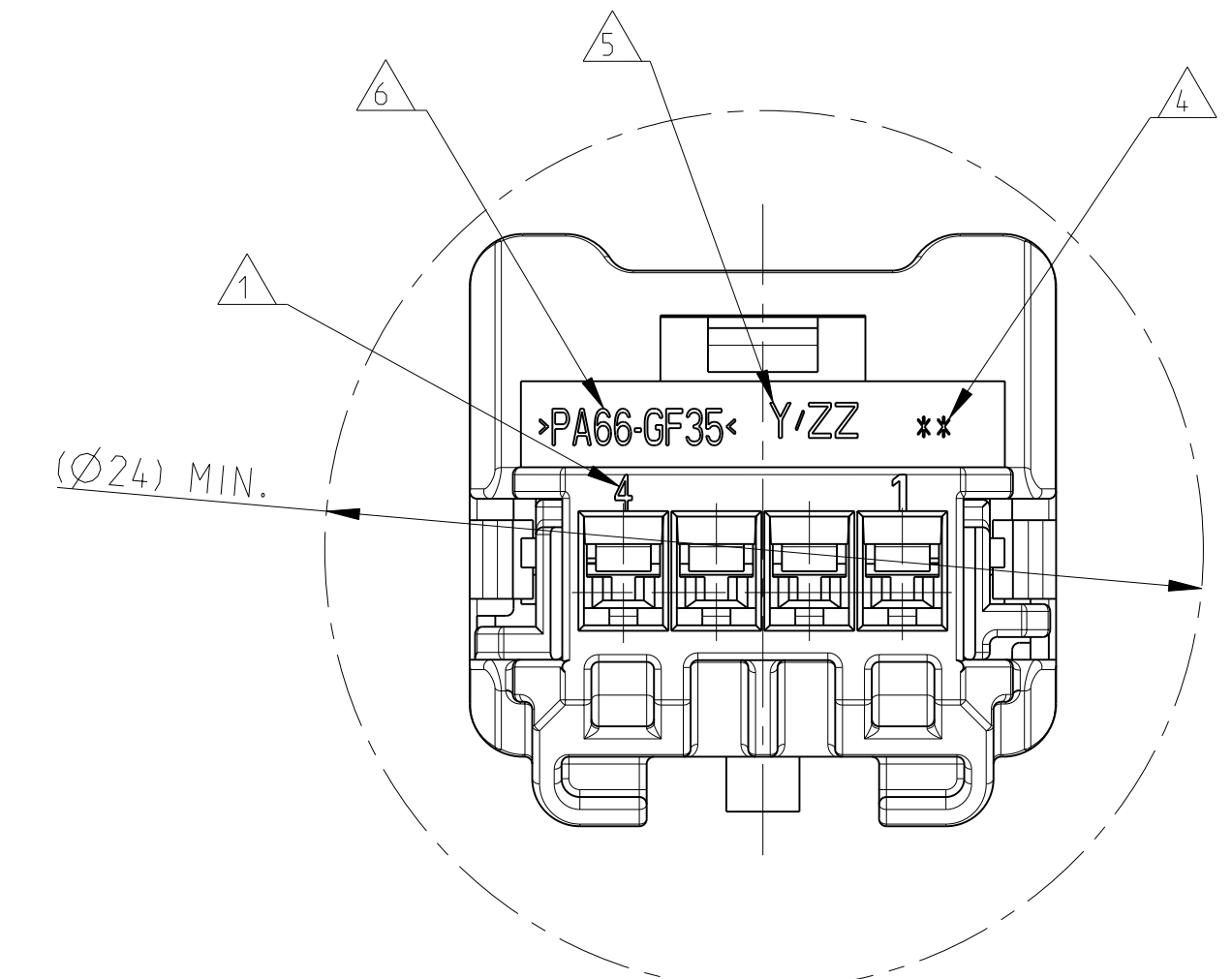
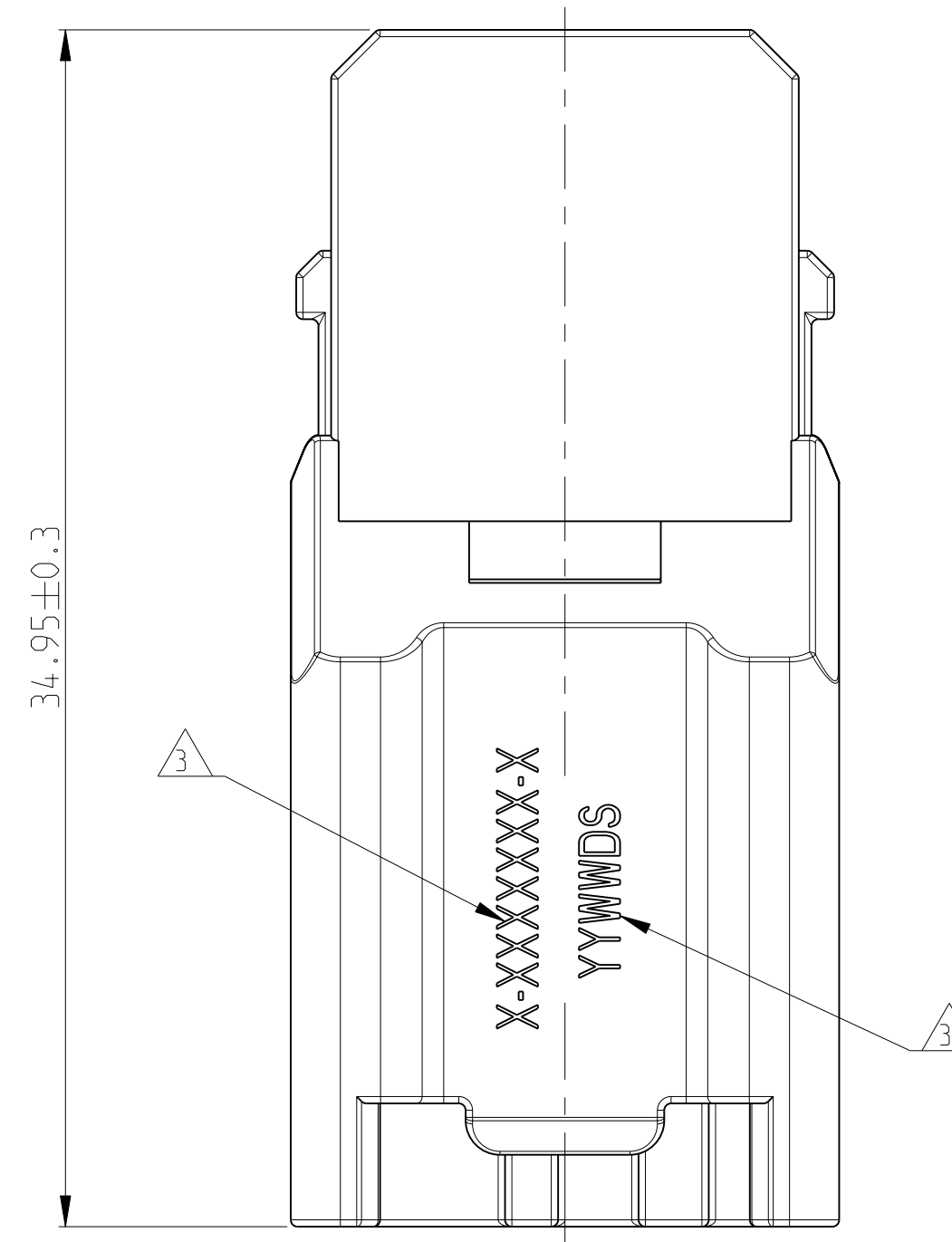
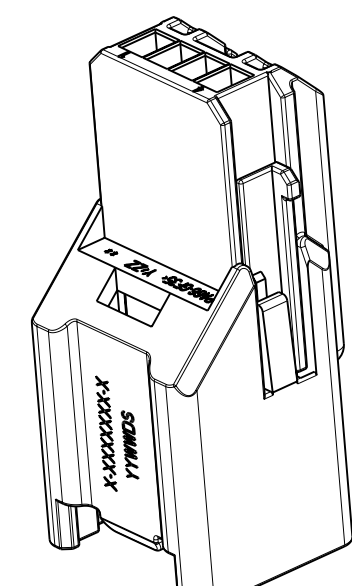
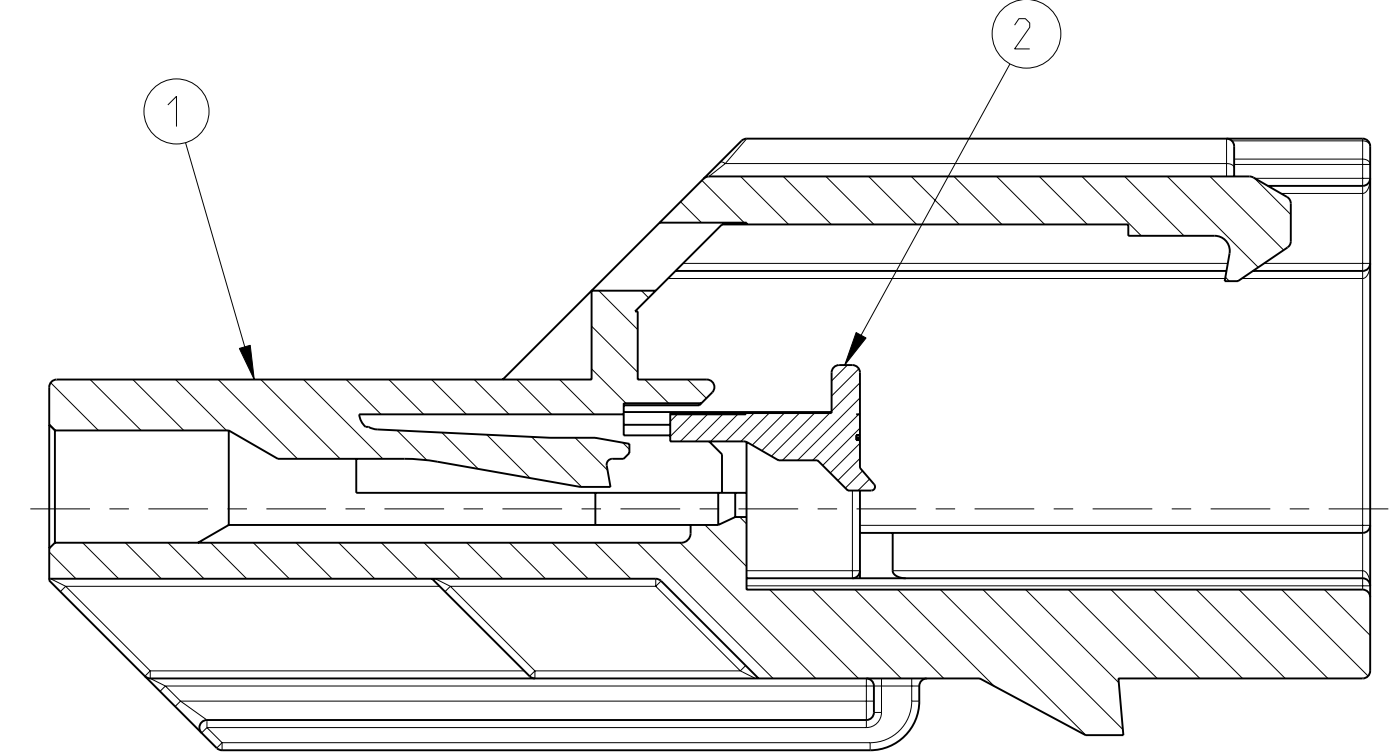
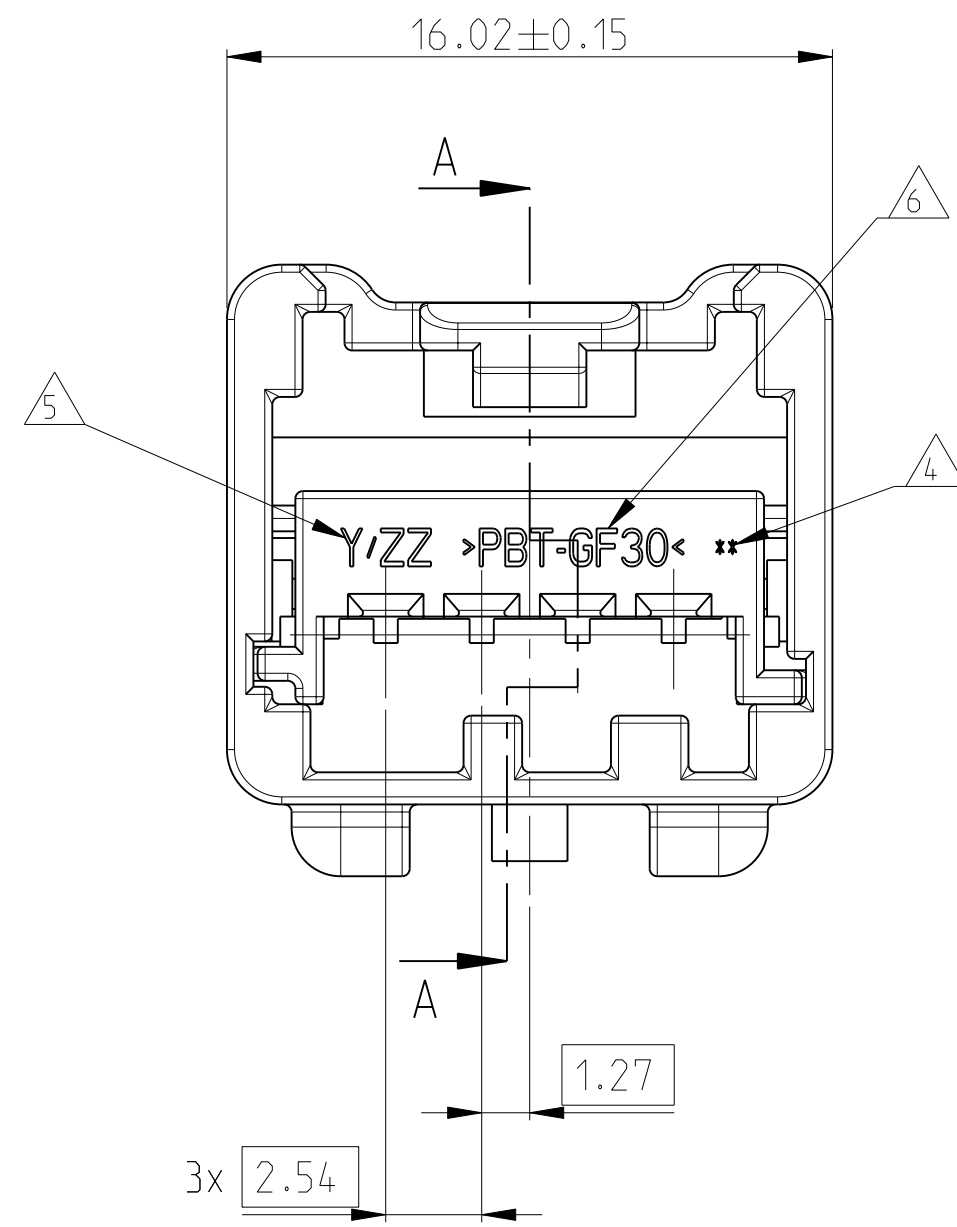
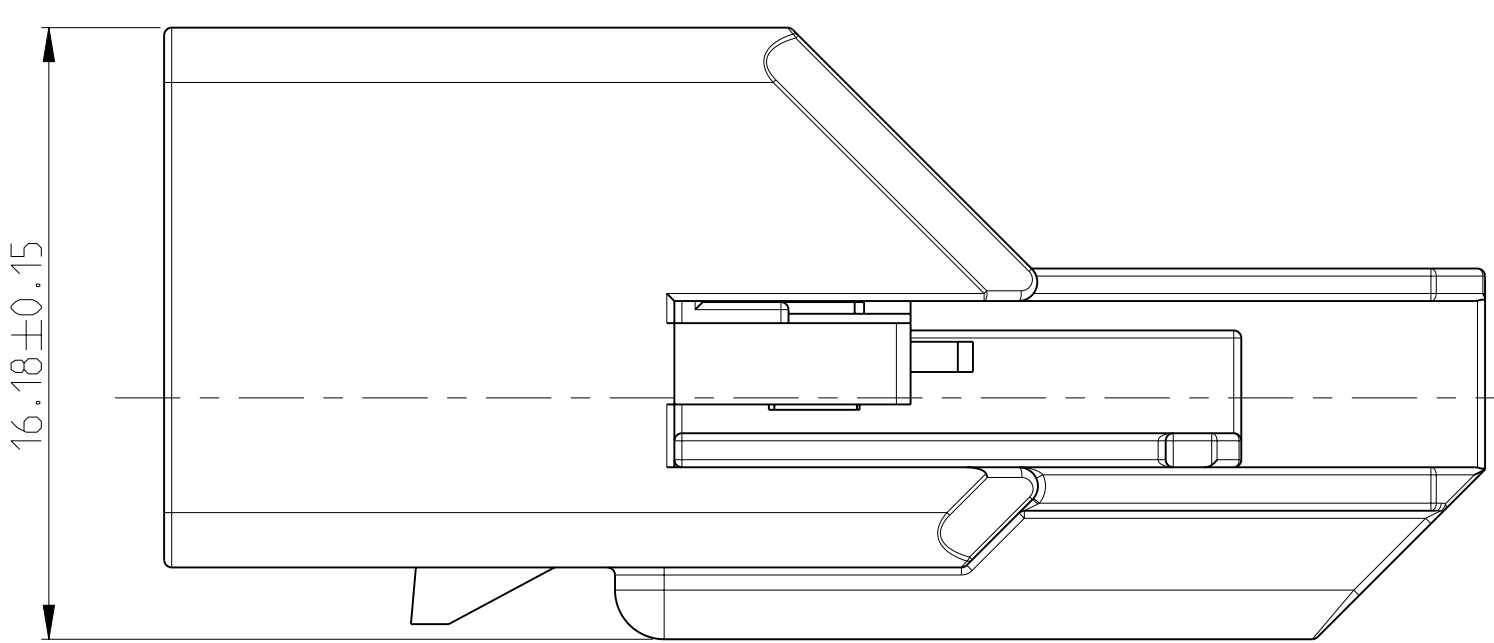
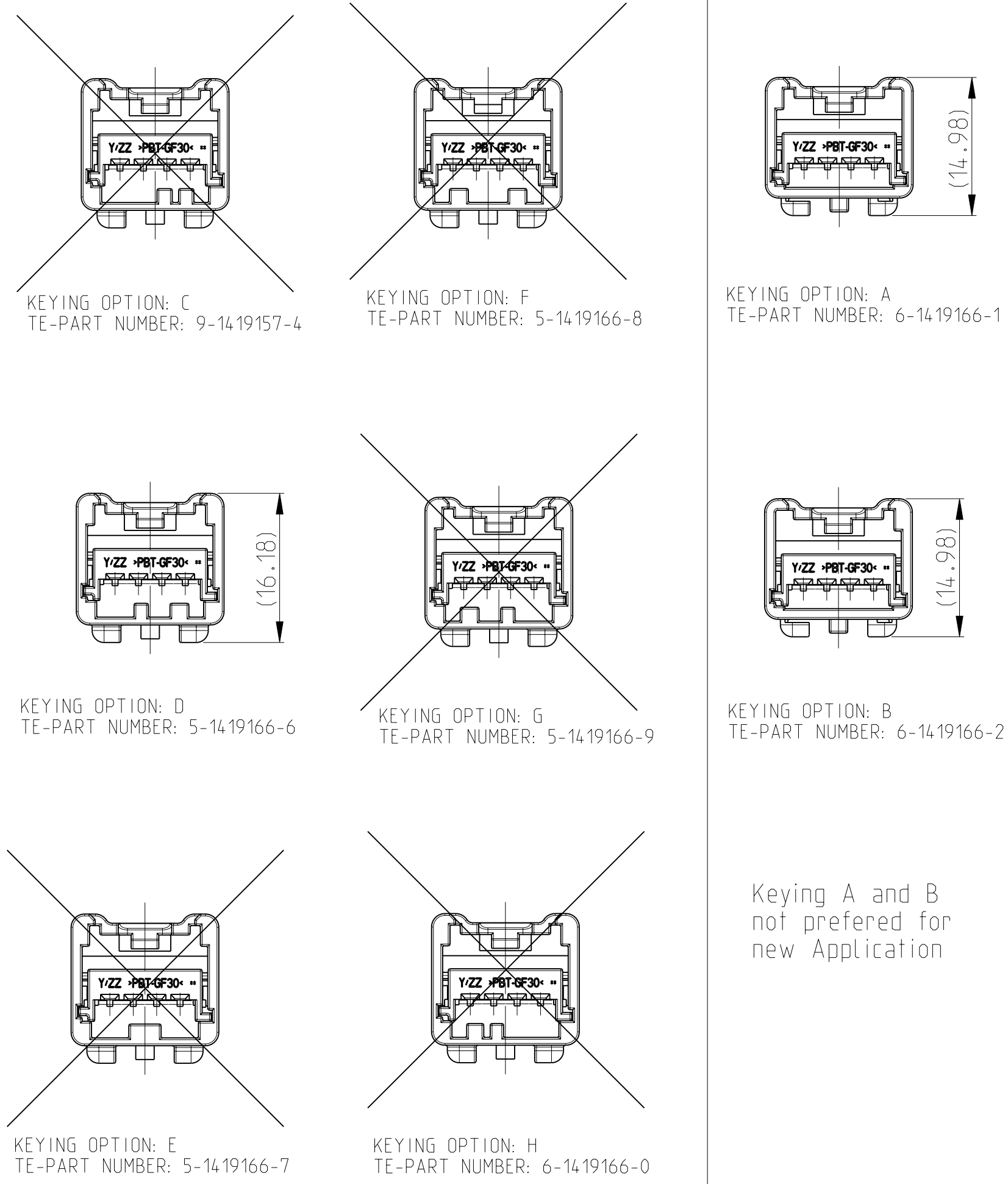


KEYING OPTIONS



WORST CASE FEED THRU CONDITION

- NOTE:
- 1 TERMINAL POSITION NUMBERS LOCATED AS SHOWN
  - 2 DELIVERY CONDITION: SPACER IN PRE-ASSEMBLED POSITION
  - 3 TE-PART NUMBER AND DATE CODE
  - 4 PRODUCT REVISION LEVEL OPTIONAL
  - 5 TOOL NUMBER AND CAVITY NUMBER OPTIONAL
  - 6 MATERIAL IDENTIFICATION
  - 7 PACKING: CONNECTOR ASSEMBLIES BULK PACKED IN CARD BOX
  - 8 KODING D SHOWN

REV	KEYING OPTIONS							
	A	B	C	D	E	F	G	H
C	C	-	B	-	-	-	-	-
6-1419166-1	C	-	B	-	-	-	-	-
6-1419166-2	C	-	B	-	-	-	-	-
9-1419157-4	-	-	-	-	-	-	-	-
5-1419166-6	-	-	-	-	-	-	-	-
5-1419166-7	-	-	-	-	-	-	-	-
5-1419166-8	-	-	-	-	-	-	-	-
5-1419166-9	-	-	-	-	-	-	-	-
6-1419166-0	-	-	-	-	-	-	-	-

DIMENSIONS: mm	TOLERANCES UNLESS OTHERWISE SPECIFIED:	0 PLC	±0.15
		1 PLC	±0.25
		2 PLC	±0.30
		3 PLC	±0.40
		4 PLC	±0.50
		ANGLES	±0.10
MATERIAL:	FINISH:	WEIGHT:	

# Mouser Electronics

Authorized Distributor

Click to View Pricing, Inventory, Delivery & Lifecycle Information:

[TE Connectivity:](#)

[6-1419166-1](#)