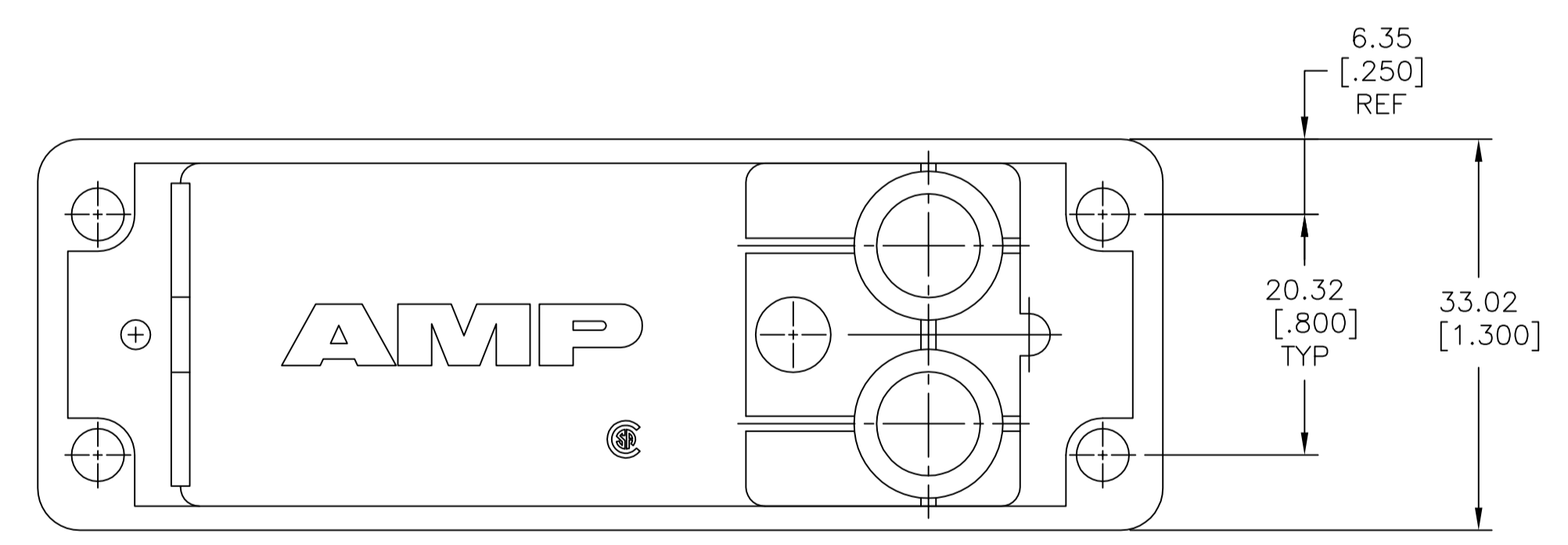
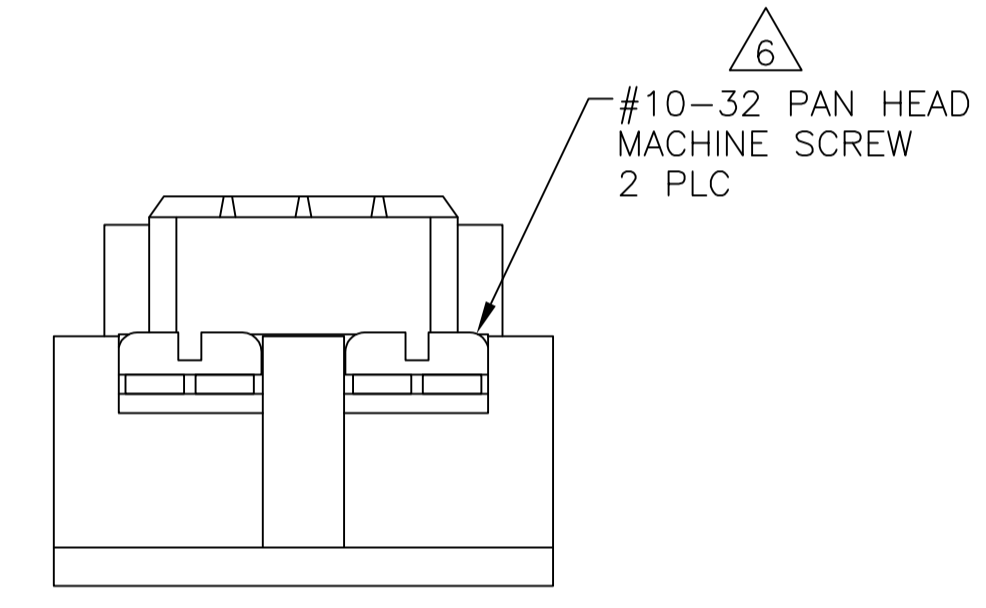
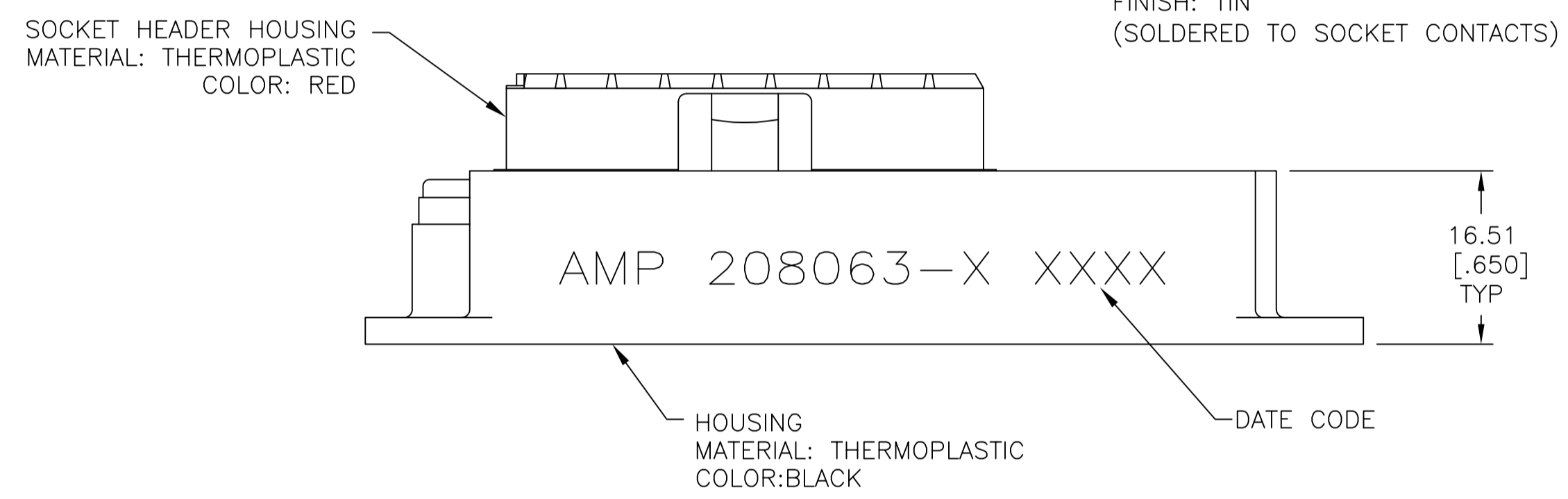
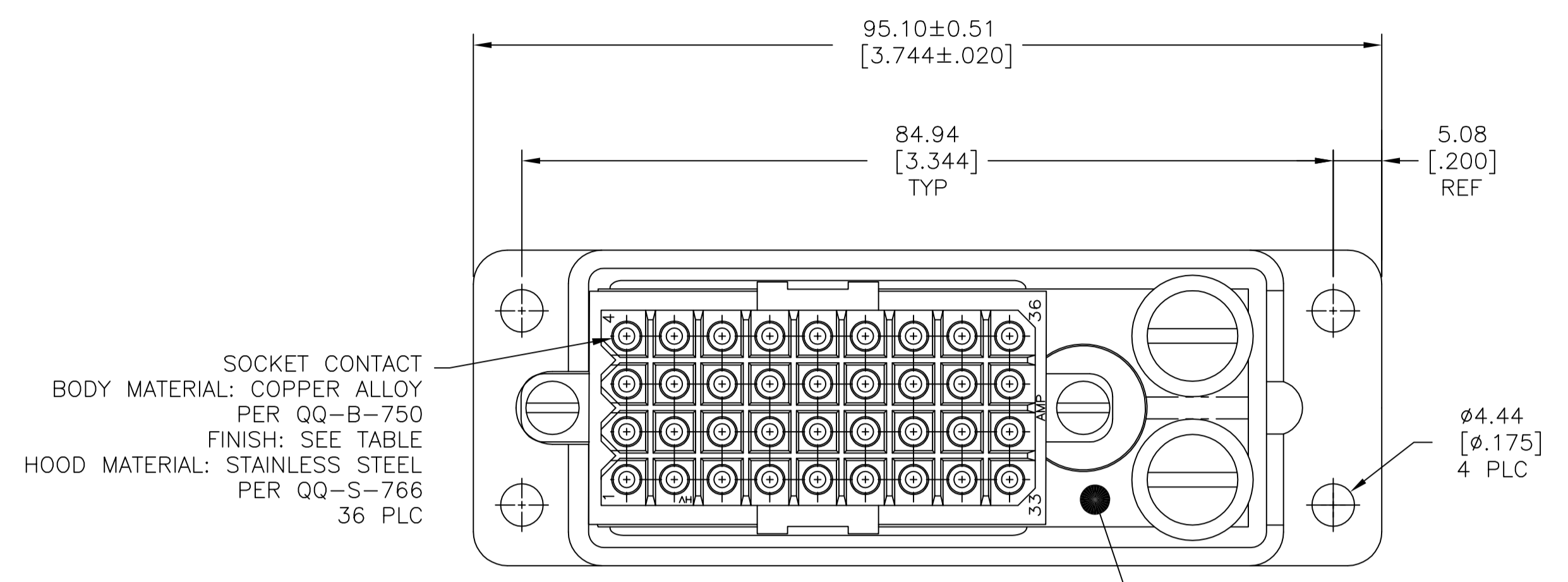


REVISIONS					
P	LTR	DESCRIPTION	DATE	OWN	APPD
G		REVISED PER OG3B-0188-05	4/22/05	SS	GS
G1		REVISED PER ECO-09-020935	11SEP09	KK	AEG
H		REVISED PER ECO-17-009310	28JUN2017	RS	MZ
J		REVISED PER ECO-17-011181	03AUG2017	RS	MZ
K		REVISED PER ECO-18-000439	19JAN2018	RS	MZ



- 1 MATES WITH RECEPTACLE 207020-1.
- △ TIN-LEAD OVER NICKEL PER QQ-N-290.
- △ GOLD FLASH PER MIL-G-45204 OVER 1.27µm [.000050] MIN NICKEL PER QQ-N-290 ON ENTIRE CONTACT, WITH 0.76µm [.000030] MIN GOLD PER MIL-G-45204 ON ELECTRICAL ENGAGEMENT AREA ONLY.
- △ ALL CIRCUITS COMMONED TO BUS.
- △ CONNECTOR IS DIVIDED LENGTHWISE WITH CIRCUITS 1, 2, 5, 6, 9, 10, 13, 14, 17, 18, 21, 22, 25, 26, 29, 30, 33 AND 34 COMMONED, AND CIRCUITS 3, 4, 7, 8, 11, 12, 15, 16, 19, 20, 23, 24, 27, 28, 31, 32, 35 AND 36 COMMONED.
- △ WILL ACCEPT RING TONGUE TERMINALS, STUD SIZE 10.
- △ TIN OVER NICKEL PER QQ-N-290.
- △ OBSOLETE PARTS: OBSOLETE CIS STREAMLINING PER D.RENAUD/D.SINISI

△ OBSOLETE	DUAL, 18 POSITION	△ 5	△ 7	△ 3	208063-7
	DUAL, 18 POSITION	△ 5	△ 7	△ 7	208063-6
	FULL, 36 POSITION	△ 4	△ 7	△ 7	208063-5
OBSOLETE	DUAL, 18 POSITION	△ 5	△ 2	△ 3	208063-4
OBSOLETE	FULL, 36 POSITION	△ 4	△ 2	△ 3	208063-3
OBSOLETE	DUAL, 18 POSITION	△ 5	△ 2	△ 2	208063-2
OBSOLETE	FULL, 36 POSITION	△ 4	△ 2	△ 2	208063-1
	BUS TYPE	TAIL FINISH	POST FINISH	PART NO	

THIS DRAWING IS A CONTROLLED DOCUMENT.

DIMENSIONS: mm [INCHES]	TOLERANCES UNLESS OTHERWISE SPECIFIED: 0 PLC ± - 1 PLC ± - 2 PLC ± 0.25 [.010] 3 PLC ± - 4 PLC ± - ANGLES ± -	DWN D.GELTZ 8-27-92	CHK J.McCLINTON 8-27-92	APVD A. TRAVIS 8-27-92	NAME COMMONING DEVICE ASSEMBLY, 36 POSITION, METRIMATE
MATERIAL SEE CALLOUTS	FINISH SEE CALLOUTS	WEIGHT -	SIZE A1	CAGE CODE 00779	DRAWING NO 208063
CUSTOMER DRAWING			SCALE 2:1	SHEET 1 of 1	REV K

STE TE Connectivity Ltd.

Mouser Electronics

Authorized Distributor

Click to View Pricing, Inventory, Delivery & Lifecycle Information:

[TE Connectivity:](#)

[208063-5](#)