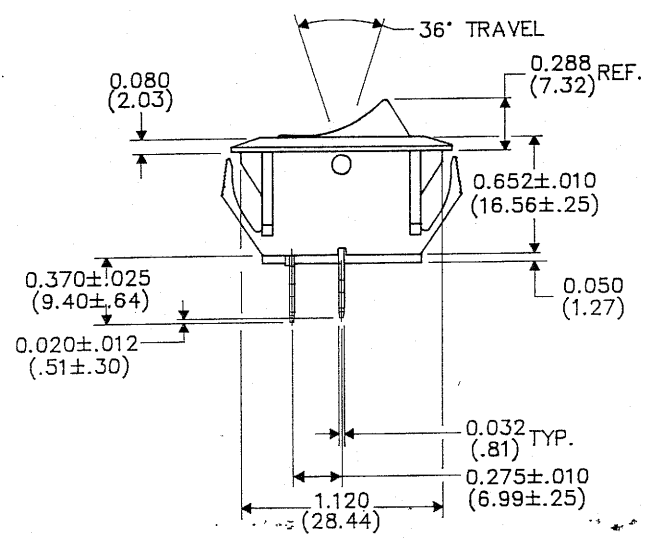
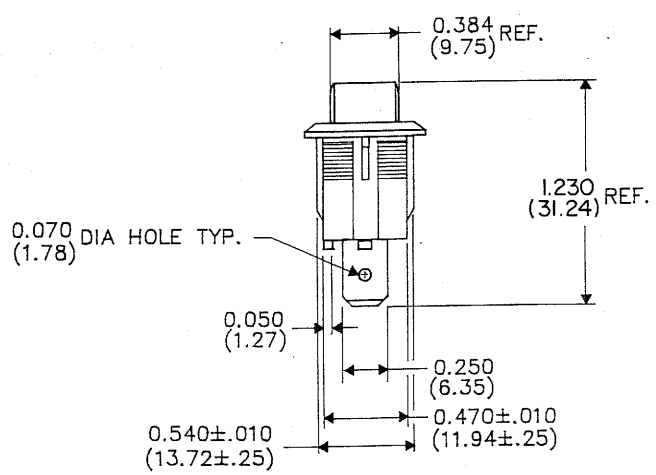
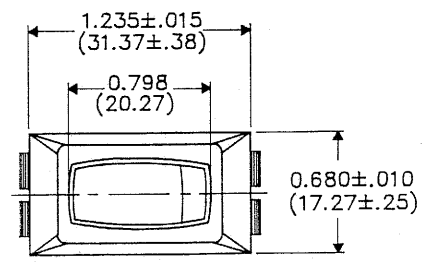
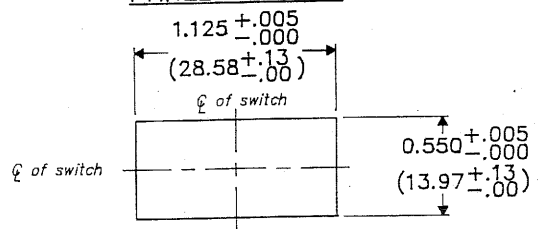


DIMENSIONS IN INCHES (MILLIMETERS)
DO NOT SCALE DRAWING...

Drawing No. **GRS-2011-2000**

PANEL PIERCING



B - FORM - 0
REVISIONS
 RELEASED MAM 4-13-89

CW INDUSTRIES
 Southampton, Pa. 18966

Title **ASSEMBLY DRAWING
 S.P.S.T. ROCKER SWITCH
 NON-POLARIZED
 1.125 x .550 PANEL**

TOLERANCES UNLESS OTHERWISE SPECIFIED
 2 Place decimal ±.010 METRIC
 3 Place decimal ±.005 1 Place dec. ±.25 MM
 Angles ±1° 2 Place dec. ±.13 MM

PDF File Made
 Made for: CW
 Drawn by: MAM 4-14-89
 Checked by: *[Signature]*
 Approval: *[Signature]* 2-6-90

Division **SWITCH**
 Drawing No. **GRS-2011-2000**

Mouser Electronics

Authorized Distributor

Click to View Pricing, Inventory, Delivery & Lifecycle Information:

[CW Industries:](#)

[GRS-2011-2000](#)