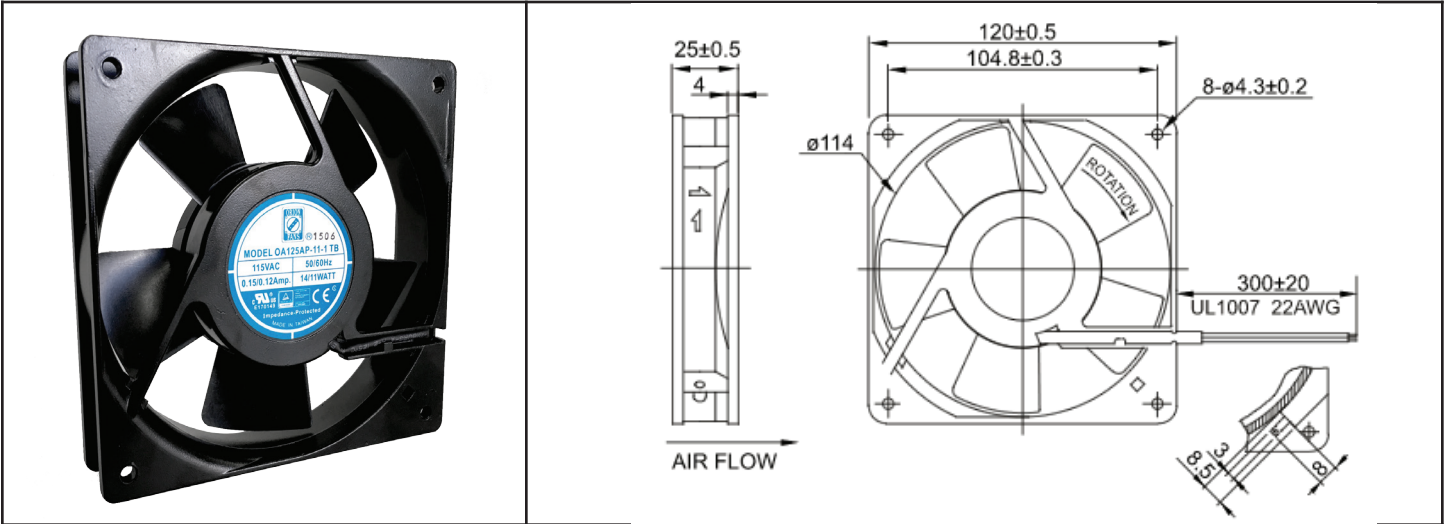


# OA125 Series



AC Fan - 115V, 230V  
120 x 25mm (4.7" x 1.0")



Frame	Diecast Aluminum	<p><u>Operating Temperature</u> Ball Bearing -20C ~ +80C Sleeve Bearing -10C ~ +50C Storage Temp -40C ~ +80C</p> <p><u>Life Expectancy</u> Ball Bearing 60,000 hours (L10 at 40C) Sleeve Bearing 30,000 hours (L10 at 40C)</p> <p>Weight: ~ 0.73 lbs. m2</p>	
Impeller	PBT, UL94V-0 plastic		
Connection	2x Lead Wires 22 AWG or terminals		
Motor	Shaded pole, impedance protected		
Bearing System	Dual ball or Sleeve		
Insulation Resistance	>100M ohm between lead-wire and frame (500VDC)		
Dielectric Strength	1 min at 1500 VAC, 50/60Hz		

Model Number	Speed (RPM)	Airflow (CFM)	Noise (dB)	Volts AC	Voltage Range	Watts	Max. Static Pressure ("H <sub>2</sub> O)
OA125AP-11-1 *	2900	75	42	115	80~130	11	.21
OA125AP-11-2 *	2500	60	37	115	80~130	11	.16
OA125AP-11-3 *	2000	53	33	115	80~130	11	.11
OA125AP-22-1 *	2900	75	42	230	160~260	14	.21
OA125AP-22-2 *	2500	60	37	230	160~260	14	.16
OA125AP-22-3 *	2000	53	33	230	160~260	14	.11

\* Indicate "TB" (Terminal Ball Bearing), "WB" (12" Wire Leads, Ball Bearing), "TS" (Terminal, Sleeve Bearing), "WS" (12" Wire Leads, Sleeve Bearing)

# Mouser Electronics

Authorized Distributor

Click to View Pricing, Inventory, Delivery & Lifecycle Information:

## Orion Fans:

[OA125AP-11-2TB](#) [OA125AP-11-2WB](#) [OA125AP-11-3TB](#) [OA125AP-11-1TB](#) [OA125AP-11-1WB](#) [OA125AP-22-1WB](#)  
[OA125AP-22-1TB](#) [OA125AP-22-3WB](#) [OA125AP-22-2TB](#) [OA125AP-22-2WB](#) [OA125AP-22-3TB](#) [OA125AP-11-3WB](#)  
[OA125AP-11-2WS](#) [OA125AP-22-1TS](#) [OA125AP-22-2TS](#) [OA125AP-11-3WS](#) [OA125AP-22-2WS](#) [OA125AP-22-3WS](#)  
[OA125AP-11-2TS](#) [OA125AP-22-1WS](#) [OA125AP-22-3TS](#) [OA125AP-11-3TS](#) [OA125AP-11-1WS](#) [OA125AP-11-1TS](#)