



# 60×60×25 mm

San Cooler 60 9A type   

## General Specifications

- Material ..... Frame: Plastic (Flammability: UL 94V-0), Impeller: Plastic (Flammability: UL 94V-0)
- Expected life ..... See the table below. (L10 life: 90% survival rate for continuous operation in free air at 60°C, rated voltage)
- Motor protection function ..... Locked rotor burnout protection, Reverse polarity protection  
For details, please refer to p. 529.
- Dielectric strength ..... 50/60 Hz, 500 VAC, for 1 minute (between lead wire conductors and frame)
- Insulation resistance ..... 10 MΩ or more with a 500 VDC megger (between lead wire conductors and frame)
- Sound pressure level (SPL) ..... At 1 m away from the air inlet
- Storage temperature ..... -30 to +70°C (Non-condensing)
- Lead wire ..... ⊕Red ⊖Black or Blue (Sensor) Yellow
- Mass ..... 80 g

## Specifications

The models listed below **have ribs and pulse sensors**. For models without ribs, append "1" to the end of model numbers.

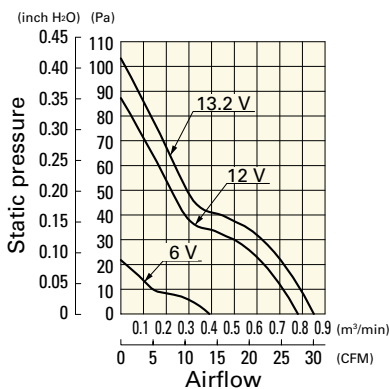
Model no.	Rated voltage [V]	Operating voltage range [V]	Rated current [A]	Rated input [W]	Rated speed [min <sup>-1</sup> ]	Max. airflow [m <sup>3</sup> /min] [CFM]	Max. static pressure [Pa] [inchH <sub>2</sub> O]	SPL [dB (A)]	Operating temperature [°C]	Expected life [h]
<b>9A0612G401</b>	12	6 to 13.2	0.24	2.88	5600	0.78 27.6	87.3 0.351	39	-20 to +60	30000/60°C
<b>9A0612S401</b>			0.17	2.04	4600	0.65 23.0	56.8 0.228	33		
<b>9A0612H401</b>		6 to 13.8	0.11	1.32	3800	0.53 18.7	40.2 0.161	28		
<b>9A0612F401</b>			0.09	1.08	3200	0.44 15.5	29.4 0.118	24		
<b>9A0612M401</b>		7 to 13.8	0.06	0.72	2600	0.36 12.7	19.6 0.079	20		
<b>9A0624G401</b>	24	12 to 27.6	0.13	3.12	5600	0.78 27.6	87.3 0.351	39	-20 to +60	30000/60°C
<b>9A0624S401</b>			0.08	1.92	4600	0.65 23.0	56.8 0.228	33		
<b>9A0624H401</b>		12 to 27.6	0.06	1.44	3800	0.53 18.7	40.2 0.161	28		
<b>9A0624F401</b>			0.05	1.2	3200	0.44 15.5	29.4 0.118	24		
<b>9A0624M401</b>		14 to 27.6	0.04	0.96	2600	0.36 12.7	19.6 0.079	20		

Other sensor specifications are available as options. Refer to the index (p. 546).

## Airflow - Static Pressure Characteristics

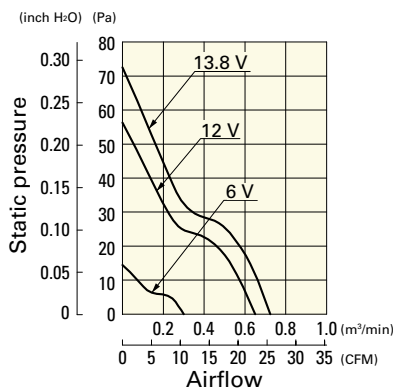
**9A0612G401** With pulse sensor

Operating voltage range



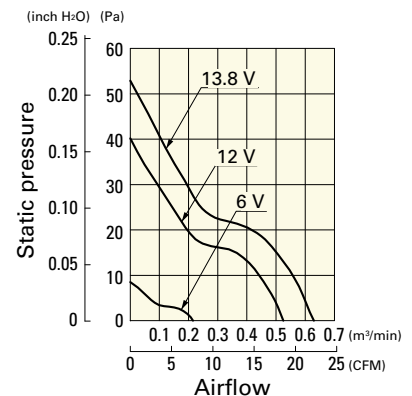
**9A0612S401** With pulse sensor

Operating voltage range



**9A0612H401** With pulse sensor

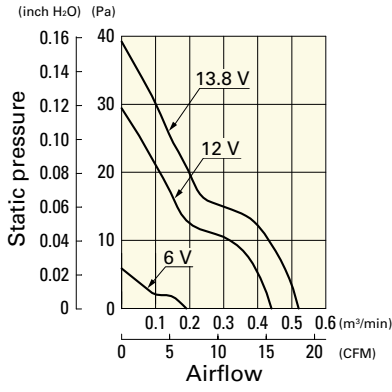
Operating voltage range



# Airflow - Static Pressure Characteristics

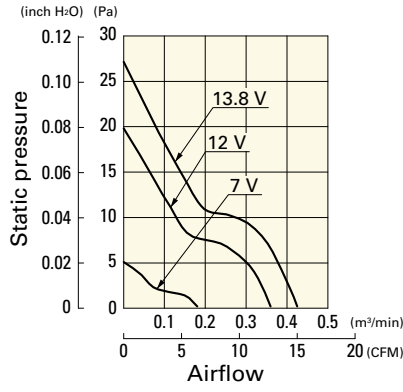
**9A0612F401** With pulse sensor

Operating voltage range



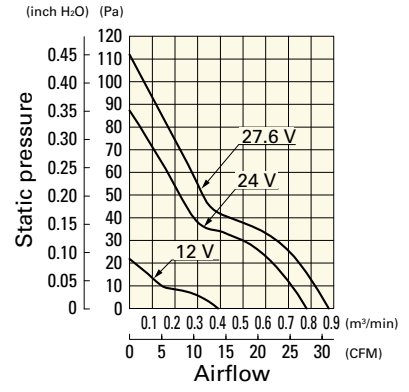
**9A0612M401** With pulse sensor

Operating voltage range



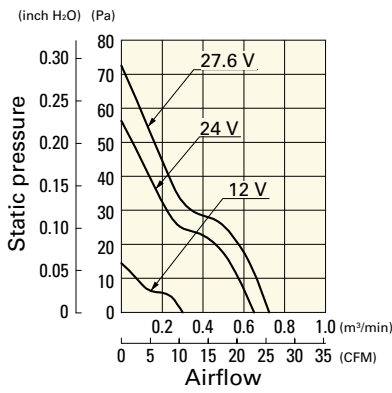
**9A0624G401** With pulse sensor

Operating voltage range



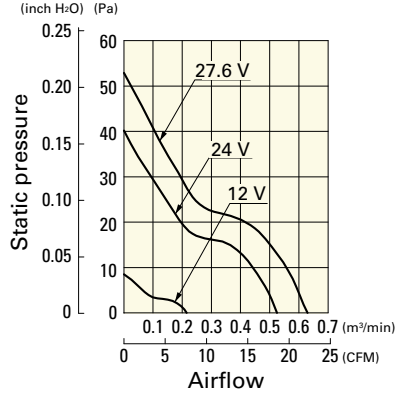
**9A0624S401** With pulse sensor

Operating voltage range



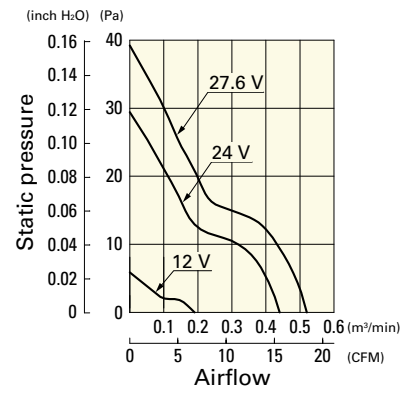
**9A0624H401** With pulse sensor

Operating voltage range



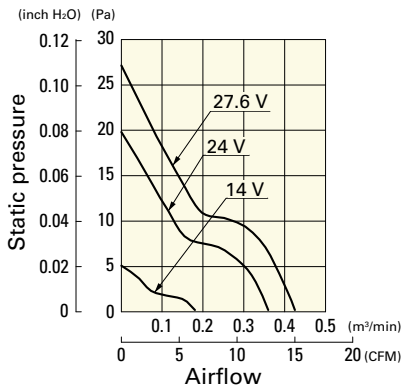
**9A0624F401** With pulse sensor

Operating voltage range

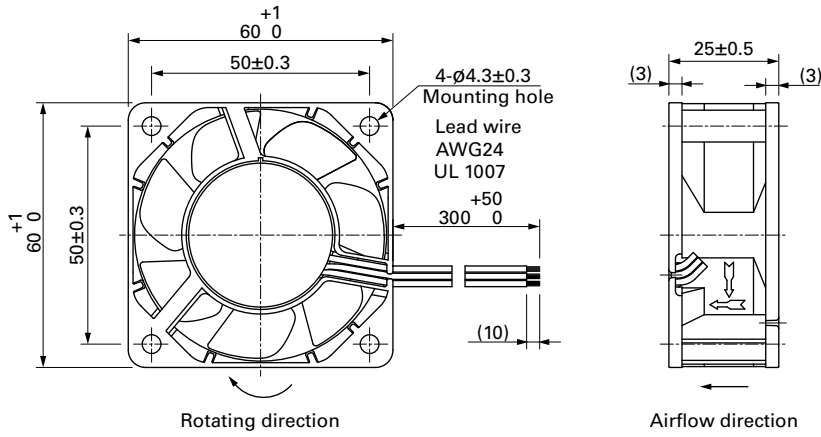


**9A0624M401** With pulse sensor

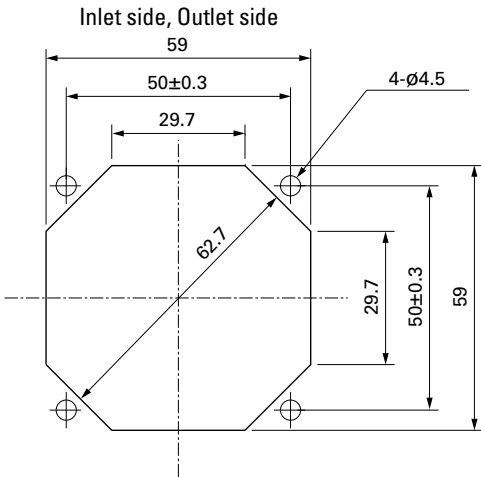
Operating voltage range



**Dimensions (unit: mm)** (With ribs)



**Reference Dimensions of Mounting Holes and Vent Opening (unit: mm)**



**Options**

**Finger guards**

page: p. 513

Model no.: 109-139E, 109-139H

**Resin finger guards**

page: p. 520

Model no.: 109-1003G

**Resin filter kits**

page: p. 521

Model no.: 109-1003F13 (13PPI), 109-1003F20 (20PPI),  
109-1003F30 (30PPI), 109-1003F40 (40PPI)

# Mouser Electronics

Authorized Distributor

Click to View Pricing, Inventory, Delivery & Lifecycle Information:

## Sanyo Denki:

[9A0624S401](#) [9A0612F401](#) [9A0612F4011](#) [9A0612G4011](#) [9A0624G4011](#) [9AH0612P4G03](#) [9AH0612P4H05](#)  
[9A0624S4021](#) [9A0624G402](#) [9A0624G4021](#) [9A0624S402](#) [9A0612S4011](#) [9A0612S402](#) [9A0612S401](#) [9A0612G401](#)  
[9A0624H4011](#) [9A0624M401](#) [9A0624S4011](#) [9A0624M4011](#) [9A0612M4011](#) [9A0624H401](#) [9A0624F4011](#)  
[9A0624F401](#) [9A0612H401](#) [9A0612H4011](#) [9A0612M401](#) [9A0624G401](#) [9A0612S4D011](#) [9A0612S4021](#)  
[9A0624F4021](#) [9A0624H4021](#) [9A0612F4021](#) [9A0612M4D01](#) [9A0612S4D01](#) [9A0624M402](#) [9A0624S4D01](#)  
[9A0624F402](#) [9A0612G402](#) [9A0624F4D011](#) [9A0612G4021](#) [9A0612G4D01](#) [9A0612M402](#) [9A0612M4021](#)  
[9A0612H402](#) [9A0624H4D011](#) [9A0624M4D011](#) [9A0624S4D011](#) [9A0612F402](#) [9A0612F4D011](#) [9A0624H402](#)  
[9A0624M4D01](#) [9A0624G4D01](#) [9A0624H4D01](#) [9A0612F4D01](#) [9A0612G4D011](#) [9A0612H4021](#) [9A0612H4D011](#)  
[9A0624F4D01](#) [9A0612H4D01](#) [9A0624M4021](#) [9A0612M4D011](#)