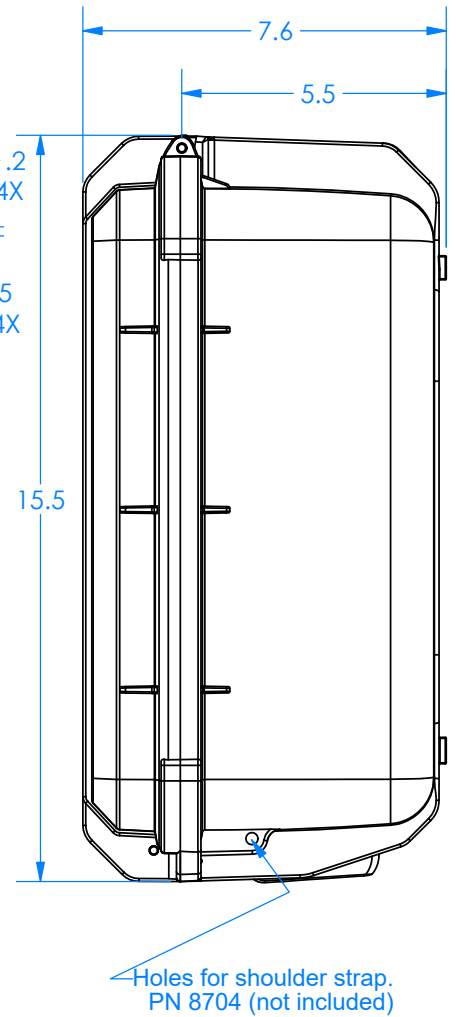
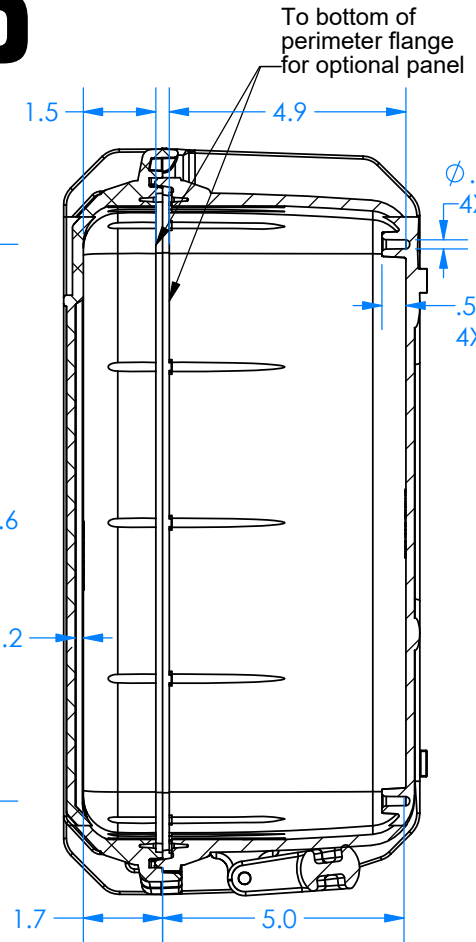
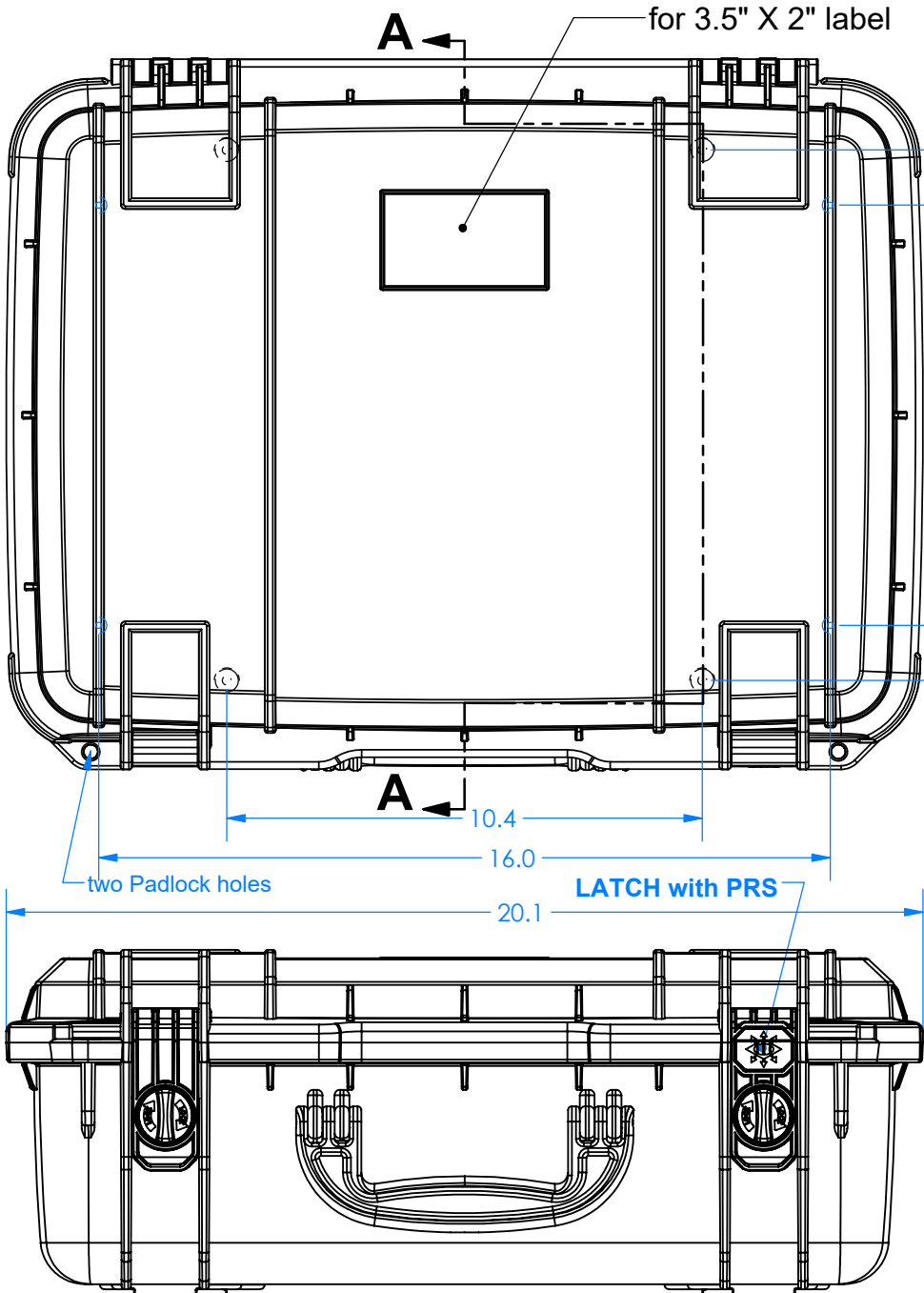


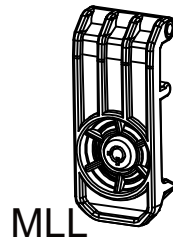
# SERPAC

ELECTRONIC ENCLOSURES

# SE720

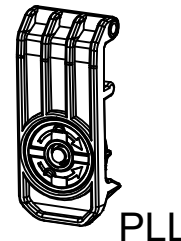


latch with metal lock



Optional latches must be specified at time of order. See note 2

latch with plastic lock



### NOTES:

- 1) Max. usable inside dimensions are:  
18 5/16" X 13 3/16" X 6 1/4" (top of boss)  
(6 5/8" bottom of boss) (18.3" X 13.2" X 6.7")
- 2) With Metal Lock Latches p/n SE720ML and Plastic Lock Latches p/n SE720PL are optional.

6/23/14

# Mouser Electronics

Authorized Distributor

Click to View Pricing, Inventory, Delivery & Lifecycle Information:

SERPAC:

[SE720F,BK](#) [SE720D,BK](#) [SE720D,YL](#) [SE720D,GM](#) [SE720D,OR](#) [SE720F,GM](#) [SE720F,OR](#) [SE720F,YL](#)