

# Horizontal Test Jack Insulated Miniature



## SPECIFICATIONS

**Contact:** Copper aluminum alloy\*

**Finish:** Silver

**Body:** Nylon 6/6 per ASTM D4066

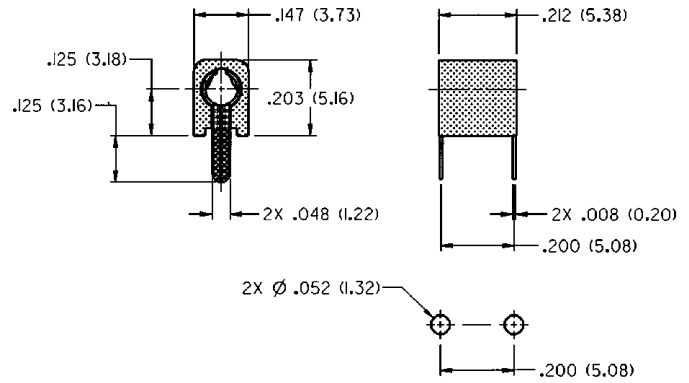
## RATINGS

**Current:** 5 amps

**Breakdown Voltage:** 2100 Vrms minimum

**Contact Resistance:** 0.010 ohms maximum

**Adjacent Jack C:** 1 pF maximum at 1 MHz



SILVER PLATING	
PART NO.	COLOR
105-1110-001	Blue

**For Standard Tip Plug: .080 (2.00) Diameter**

## FEATURES:

- Contact protected from flux and solder
  - Probe access from both ends
  - Nylon UL approved for self extinguishing
- \* A new material development that, for this application, meets or exceeds beryllium copper.

MOUNTING HOLE LAYOUT

# Mouser Electronics

Authorized Distributor

Click to View Pricing, Inventory, Delivery & Lifecycle Information:

[Cinch Connectivity Solutions:](#)

[105-1110-001](#)