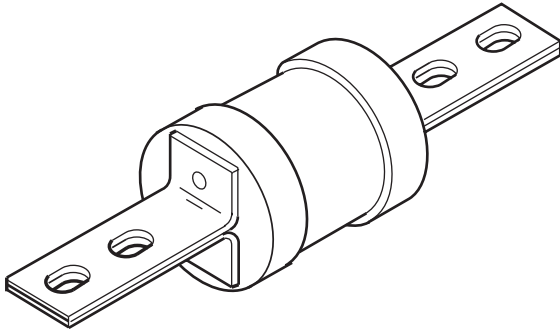


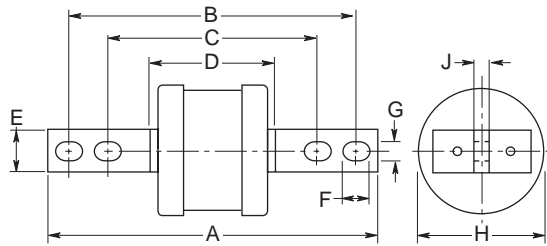
Industrial HRC Fuse

84 x 212mm, BS88, IEC 269-1
Center Bolted Tags



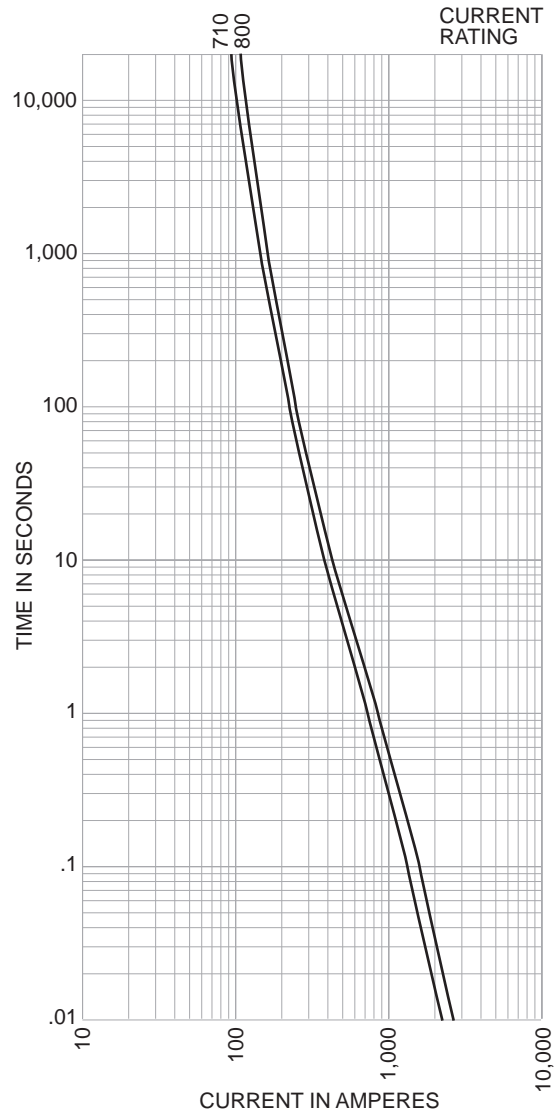
CATALOG SYMBOL: GF
INDUSTRIAL HRC FUSE
CENTER BOLTED TAGS
PACKAGE QUANTITY: 20
80KA INTERRUPTING RATING

Dimensional Data:



- British standard low voltage industrial fuses.
- General purpose, type gG.
- Used in general industrial motor circuits.

Time-Current Characteristic Curve (Full Size Curves Available)



Electrical Characteristics

Catalog Number	Ampere Rating	I ² T (Amp ² Seconds x 10 ³)			Watts Loss	Nom Rated Voltage	Dimensions (Inches/mm)									
		Pre-Arcing	Total At 415V	Total At 550V			A	B	C	D	E	F	G	H	J	
GF710	710	3500	8100	11,000	53	550AC	210.0	185.0	134.0	80.5	1.0	15.5	10.5	83.0	9.5	
GF800	800	5050	11,500	15,500	64	250DC					25.4					

The only controlled copy of this BIF document is the electronic read-only version located on the Bussmann Network Drive. All other copies of this BIF document are by definition uncontrolled. This bulletin is intended to clearly present comprehensive product data and provide technical information that will help the end user with design applications. Bussmann reserves the right, without notice, to change design or construction of any products and to discontinue or limit distribution of any products. Bussmann also reserves the right to change or update, without notice, any technical information contained in this bulletin. Once a product has been selected, it should be tested by the user in all possible applications.

Mouser Electronics

Authorized Distributor

Click to View Pricing, Inventory, Delivery & Lifecycle Information:

[Eaton:](#)

[GF800](#)