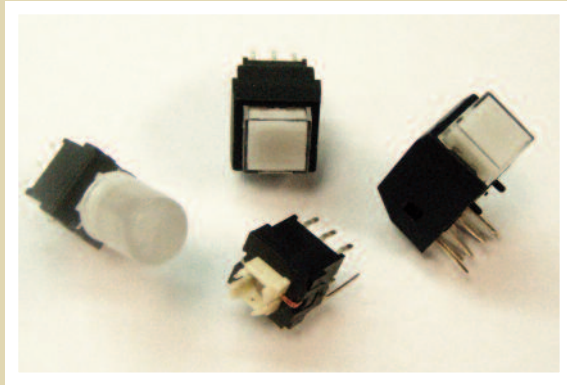


SERIES LP4 SWITCHES



ILLUMINATED PUSHBUTTON SWITCH



MECHANICAL SPECIFICATIONS

Mechanical Life:	50,000 cycles
Force:	250 ± 100 grams
Travel:	1.0mm ± 0.3mm LOCK; 1.5mm ± 0.3mm FULL

ELECTRICAL SPECIFICATIONS

Contact Rating:	30VDC, 0.1A
Contact Resistance (Initial Max.):	50milliohms max.
Insulation Resistance (min.@500V):	100megaohms min. @ 500VDC
Dielectric Strength (1 Min.):	500VAC

FEATURES & BENEFITS

- Latching and momentary options
- Illuminated
- Right angle and vertical mount options
- Multiple bezel and button designs

APPLICATIONS / MARKETS

- Telecommunications
- Consumer Electronics
- Audio/visual
- Medical
- Testing/instrumentation
- Computer/servers/peripherals

ENVIRONMENTAL SPECIFICATIONS

Operating Temperature:	-20°C to +70°C
------------------------	----------------

HOW TO ORDER

SERIES	FUNCTION STYLE	CIRCUIT	TERMINATION	HOUSING COLOR	CAP SIZE	CAP COLOR	LED COLOR OPTIONS
LP4	<input type="checkbox"/> OA = Momentary <input type="checkbox"/> EE = Latching	<input type="checkbox"/> 1 = DPDT	<input type="checkbox"/> P = Vertical PCB Mount <input type="checkbox"/> R = Right Angle PCB Mount*	<input type="checkbox"/> B = Black <input type="checkbox"/> W = White <input type="checkbox"/> G = Gray	<input type="checkbox"/> N = No Cap <input type="checkbox"/> A = Square w/ Bezel <input type="checkbox"/> B = Round w/ Bezel <input type="checkbox"/> C = Round w/o Bezel	<input type="checkbox"/> N = No Cap <input type="checkbox"/> T = Transparent <input type="checkbox"/> G = Green <input type="checkbox"/> R = Red <input type="checkbox"/> Y = Yellow <input type="checkbox"/> B = Blue	<input type="checkbox"/> N = No LED <input type="checkbox"/> R = Red <input type="checkbox"/> G = Green <input type="checkbox"/> Y = Yellow <input type="checkbox"/> B = Blue <input type="checkbox"/> W = White

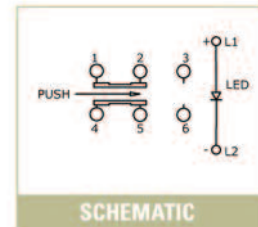
* Right angle only available in a square cap with bezel.

Example Ordering Number

LP4-OA-1-P-B-A-T-R

Specifications subject to change without notice.

LED SPECIFICATIONS					
	Blue	Red	Green	Yellow	White
Forward Current (mA)	5mA	20mA	20mA	20mA	20mA
Forward Voltage@20mA	2.9-4.0VDC	1.9-2.5VDC	2.1-2.5VDC	1.7-2.4VDC	3.5-4.0VDC
Luminous Intensity	9 mcd@5mA	200 mcd	45 mcd	350 mcd	2700 mcd



SERIES LP4 SWITCHES

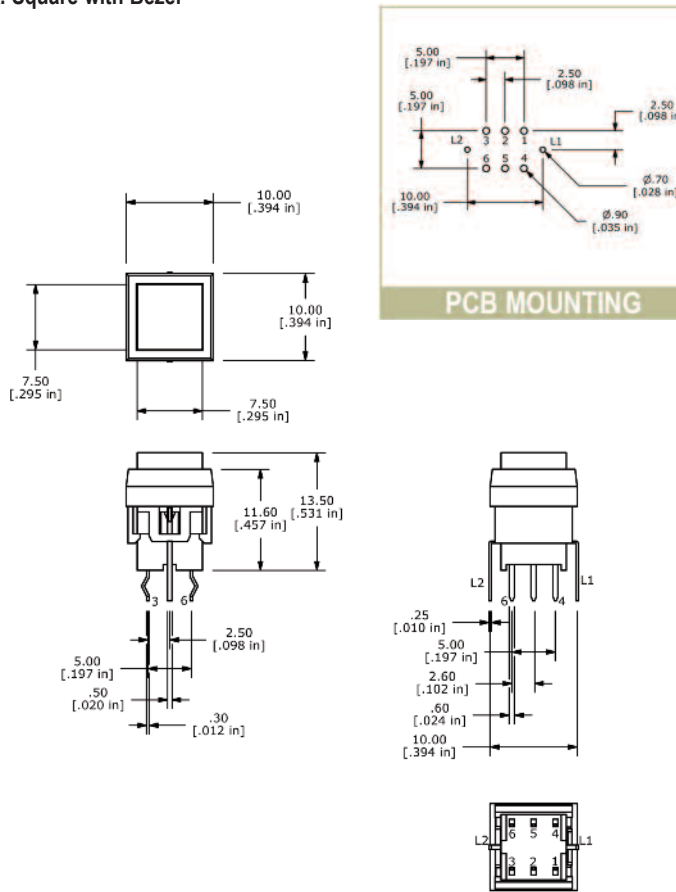
ILLUMINATED PUSHBUTTON SWITCH



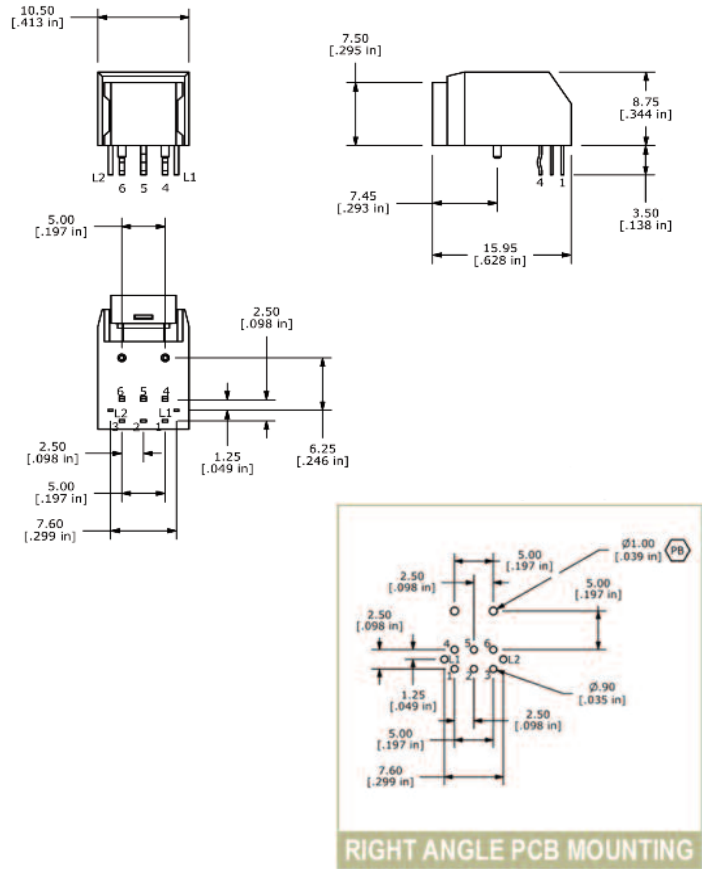
E-SWITCH™

CAP OPTIONS

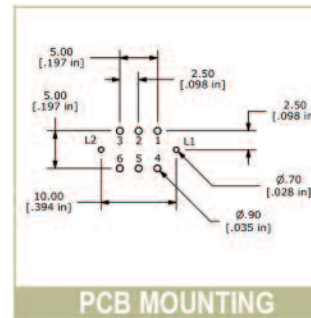
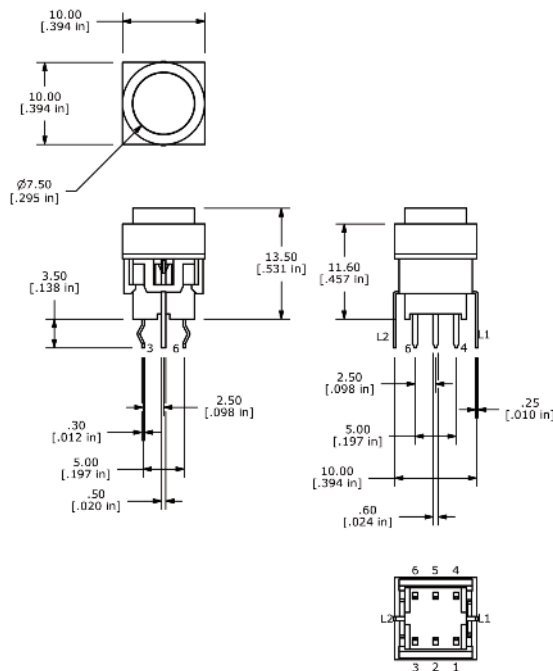
A. Square with Bezel



A. Square with Bezel - Right Angle



B. Round with Bezel



SERIES LP4 SWITCHES

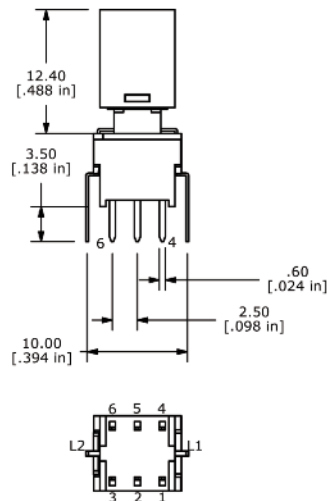
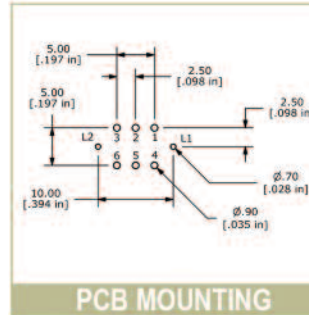
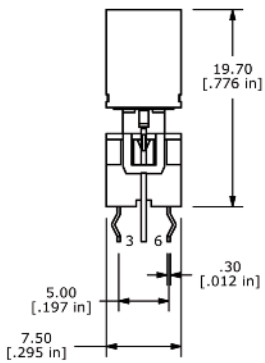
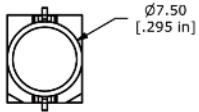
ILLUMINATED PUSHBUTTON SWITCH



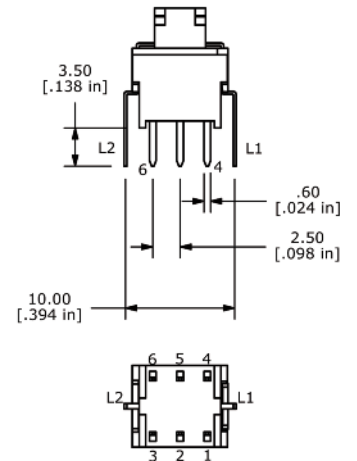
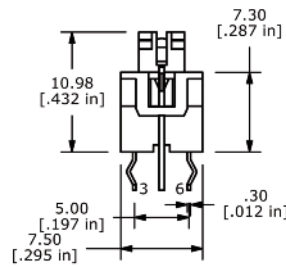
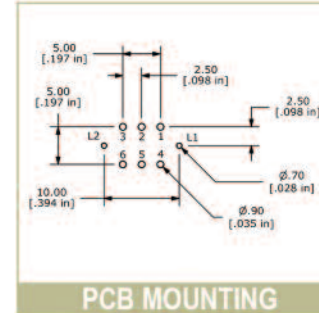
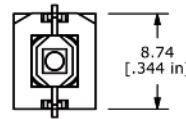
E-SWITCH™

CAP OPTIONS (CONT.)

C. Round without Bezel



N. No Cap



Mouser Electronics

Authorized Distributor

Click to View Pricing, Inventory, Delivery & Lifecycle Information:

E-Switch:

[LP4EE1PBATR](#) [LP4OA1PBBTR](#) [LP4OA1PBCTR](#) [LP4EE1RBATR](#) [LP4EE1PBBBN](#) [LP4EE1PBCTY](#)
[LP4OA1PBABN](#) [LP4OA1PBAGN](#) [LP4OA1PBATN](#) [LP4OA1RBATB](#) [LP4OA1RBATW](#) [LP4OA1RBATY](#)
[LP4EE1PBATB](#) [LP4EE1PBATG](#) [LP4EE1PBATW](#) [LP4EE1PBATY](#) [LP4EE1PBNNR](#) [LP4EE1RBATB](#) [LP4EE1RBATG](#)
[LP4EE1RBATW](#) [LP4EE1RBATY](#) [LP4OA1PBATR](#) [LP4OA1PBBTB](#) [LP4OA1PBBTG](#) [LP4OA1PBBTW](#)
[LP4OA1PBBTY](#) [LP4OA1PBCTB](#) [LP4OA1PBCTG](#) [LP4OA1PBCTW](#) [LP4OA1PBCTY](#) [LP4OA1PWATG](#)
[LP4OA1RBATR](#) [LP4EE1PBABB](#) [LP4EE1PBAGG](#) [LP4EE1PBARR](#) [LP4EE1PBAYY](#) [LP4EE1PBCTB](#) [LP4EE1PBCTR](#)
[LP4EE1PBCTG](#) [LP4EE1PGCTR](#) [LP4EE1PGBTR](#) [LP4EE1PBBTG](#) [LP4EE1PBBTR](#) [LP4EE1PWBTR](#)
[LP4EE1PBCRW](#)