



## Table of Contents

<b>1 Features</b> .....	<b>1</b>	<b>8 Detailed Description</b> .....	<b>15</b>
<b>2 Applications</b> .....	<b>1</b>	8.1 Overview .....	15
<b>3 Description</b> .....	<b>1</b>	8.2 Functional Block Diagram .....	15
<b>4 Revision History</b> .....	<b>2</b>	8.3 Feature Description .....	16
<b>5 Pin Configuration and Functions</b> .....	<b>3</b>	8.4 Device Functional Modes .....	16
<b>6 Specifications</b> .....	<b>4</b>	<b>9 Application and Implementation</b> .....	<b>17</b>
6.1 Absolute Maximum Ratings .....	4	9.1 Application Information .....	17
6.2 ESD Ratings .....	4	9.2 Typical Application .....	17
6.3 Recommended Operating Conditions .....	4	<b>10 Power Supply Recommendations</b> .....	<b>19</b>
6.4 Thermal Information .....	5	<b>11 Layout</b> .....	<b>19</b>
6.5 Electrical Characteristics .....	5	11.1 Layout Guidelines .....	19
6.6 Switching Characteristics: $V_{CCA} = 1.2\text{ V}$ .....	7	11.2 Layout Example .....	19
6.7 Switching Characteristics: $V_{CCA} = 1.5\text{ V} \pm 0.1\text{ V}$ .....	8	<b>12 Device and Documentation Support</b> .....	<b>20</b>
6.8 Switching Characteristics: $V_{CCA} = 1.8\text{ V} \pm 0.15\text{ V}$ .....	8	12.1 Documentation Support .....	20
6.9 Switching Characteristics: $V_{CCA} = 2.5\text{ V} \pm 0.2\text{ V}$ .....	9	12.2 Trademarks .....	20
6.10 Switching Characteristics: $V_{CCA} = 3.3\text{ V} \pm 0.3\text{ V}$ .....	10	12.3 Electrostatic Discharge Caution .....	20
6.11 Operating Characteristics .....	11	12.4 Glossary .....	20
6.12 Typical Characteristics .....	12	<b>13 Mechanical, Packaging, and Orderable Information</b> .....	<b>20</b>
<b>7 Parameter Measurement Information</b> .....	<b>14</b>		

## 4 Revision History

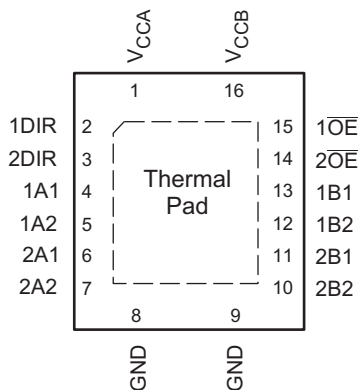
NOTE: Page numbers for previous revisions may differ from page numbers in the current version.

<b>Changes from Revision A (October 2012) to Revision B</b>	<b>Page</b>
• Added <i>Applications</i> section .....	1
• Added -Q1 to the part number throughout the data sheet .....	1
• Added <i>Device Information</i> table to the data sheet .....	1
• Deleted <i>Ordering Information</i> table from the data sheet .....	1
• Added <i>Pin Functions</i> table to the data sheet .....	3
• Added <i>ESD Ratings</i> table to the data sheet .....	4
• Added <i>Thermal Information</i> table to the data sheet .....	5
• Added <i>Typical Characteristics</i> to the data sheet .....	12
• Added <a href="#">Figure 1</a> through <a href="#">Figure 9</a> from the SN74AVC8T245-Q1 data sheet over to the <i>Typical Characteristics</i> section .....	12
• Added all new content from <i>Application Information</i> through the end of the data sheet .....	15

<b>Changes from Original (November 2009) to Revision A</b>	<b>Page</b>
• Added AEC-Q100 info to Features .....	1
• Removed ESD Protection Exceeds JESD 22, 8000-V Human-Body Model (A114-A), 1000-V Charged-Device Model (C101) from Features. ....	1

## 5 Pin Configuration and Functions

**RGY Package**  
**16-Pin VQFN With Exposed Thermal Pad**  
**Top View**



**Pin Functions**

PIN		TYPE	DESCRIPTION
NAME	NO.		
1A1	4	I/O	Input/output 1A1. Referenced to $V_{CCA}$ .
1A2	5	I/O	Input/output 1A2. Referenced to $V_{CCA}$ .
1B1	13	I/O	Input/output 1B1. Referenced to $V_{CCB}$ .
1B2	12	I/O	Input/output 1B2. Referenced to $V_{CCB}$ .
1DIR	2	I	Direction-control input for 1 ports
$1\overline{OE}$	15	I	3-state output-mode enable. Pull $\overline{OE}$ high to place '1' outputs in 3-state mode. Referenced to $V_{CCA}$ .
2A1	6	I/O	Input/output 2A1. Referenced to $V_{CCA}$ .
2A2	7	I/O	Input/output 2A2. Referenced to $V_{CCA}$ .
2B1	11	I/O	Input/output 2B1. Referenced to $V_{CCB}$ .
2B2	10	I/O	Input/output 2B2. Referenced to $V_{CCB}$ .
2DIR	3	I	Direction-control input for 2 ports
$2\overline{OE}$	14	I	3-state output-mode enable. Pull $\overline{OE}$ high to place '2' outputs in 3-state mode. Referenced to $V_{CCA}$ .
GND	8, 9	—	Ground
Thermal pad	—	—	The exposed thermal pad must be connected as a secondary GND or be left electrically open.
$V_{CCA}$	1	I	A-port power supply voltage. $1.2\text{ V} \leq V_{CCA} \leq 3.6\text{ V}$
$V_{CCB}$	16	I	B-port power supply voltage. $1.2\text{ V} \leq V_{CCB} \leq 3.6\text{ V}$

## 6 Specifications

### 6.1 Absolute Maximum Ratings<sup>(1)</sup>

over operating ambient temperature range (unless otherwise noted)

		MIN	MAX	UNIT	
$V_{CCA}$ $V_{CCB}$	Supply voltage	-0.5	4.6	V	
$V_I$	Input voltage <sup>(2)</sup>	I/O ports (A port)	-0.5	4.6	V
		I/O ports (B port)	-0.5	4.6	
		Control inputs	-0.5	4.6	
$V_O$	Voltage applied to any output in the high-impedance or power-off state <sup>(2)</sup>	A port	-0.5	4.6	V
		B port	-0.5	4.6	
$V_O$	Voltage applied to any output in the high or low state <sup>(2) (3)</sup>	A port	-0.5	$V_{CCA} + 0.5$	V
		B port	-0.5	$V_{CCB} + 0.5$	
$I_{IK}$	Input clamp current	$V_I < 0$	-50	mA	
$I_{OK}$	Output clamp current	$V_O < 0$	-50	mA	
$I_O$	Continuous output current		±50	mA	
	Continuous current through $V_{CCA}$ , $V_{CCB}$ , or GND		±100	mA	
$T_{stg}$	Storage temperature	-65	150	°C	

- (1) Stresses beyond those listed under *Absolute Maximum Ratings* may cause permanent damage to the device. These are stress ratings only, and do not imply functional operation of the device at these or any other conditions beyond those indicated under *Recommended Operating Conditions*. Exposure to absolute-maximum-rated conditions for extended periods may affect device reliability.
- (2) The input voltage and output negative-voltage ratings may be exceeded if the input and output current ratings are observed.
- (3) The output positive-voltage rating may be exceeded up to 4.6 V maximum if the output current rating is observed.

### 6.2 ESD Ratings

		VALUE	UNIT	
$V_{(ESD)}$	Electrostatic discharge	Human body model (HBM), per ANSI/ESDA/JEDEC JS-001, all pins <sup>(1)</sup>	±8000	V
		Charged device model (CDM), per JEDEC specification JESD22-C101, all pins <sup>(2)</sup>	±1000	
		Machine model (C101)	±150	

- (1) JEDEC document JEP155 states that 500-V HBM allows safe manufacturing with a standard ESD control process.
- (2) JEDEC document JEP157 states that 250-V CDM allows safe manufacturing with a standard ESD control process.

### 6.3 Recommended Operating Conditions<sup>(1) (2) (3)</sup>

		$V_{CCI}$	$V_{CCO}$	MIN	MAX	UNIT
$V_{CCA}$	Supply voltage			1.2	3.6	V
$V_{CCB}$	Supply voltage			1.2	3.6	V
$V_{IH}$	High-level input voltage	Data inputs <sup>(4)</sup>	1.2 V to 1.95 V	$V_{CCI} \times 0.65$		V
			1.95 V to 2.7 V	1.6		
			2.7 V to 3.6 V	2		
$V_{IL}$	Low-level input voltage	Data inputs <sup>(4)</sup>	1.2 V to 1.95 V	$V_{CCI} \times 0.35$		V
			1.95 V to 2.7 V	0.7		
			2.7 V to 3.6 V	0.8		
$V_{IH}$	High-level input voltage	DIR (referenced to $V_{CCA}$ ) <sup>(5)</sup>	1.2 V to 1.95 V	$V_{CCA} \times 0.65$		V
			1.95 V to 2.7 V	1.6		
			2.7 V to 3.6 V	2		

- (1)  $V_{CCI}$  is the  $V_{CC}$  associated with the input port.
- (2)  $V_{CCO}$  is the  $V_{CC}$  associated with the output port.
- (3) All unused data inputs of the device must be held at  $V_{CCI}$  or GND to ensure proper device operation. See the TI application report, *Implications of Slow or Floating CMOS Inputs*, [SCBA004](#).
- (4) For  $V_{CCI}$  values not specified in the data sheet,  $V_{IH} \text{ min} = V_{CCI} \times 0.7 \text{ V}$ ,  $V_{IL} \text{ max} = V_{CCI} \times 0.3 \text{ V}$
- (5) For  $V_{CCA}$  values not specified in the data sheet,  $V_{IH} \text{ min} = V_{CCA} \times 0.7 \text{ V}$ ,  $V_{IL} \text{ max} = V_{CCA} \times 0.3 \text{ V}$

**Recommended Operating Conditions<sup>(1) (2) (3)</sup> (continued)**

		$V_{CCI}$	$V_{CCO}$	MIN	MAX	UNIT
$V_{IL}$	Low-level input voltage	DIR (referenced to $V_{CCA}$ ) <sup>(5)</sup>	1.2 V to 1.95 V		$V_{CCA} \times 0.35$	V
			1.95 V to 2.7 V		0.7	
			2.7 V to 3.6 V		0.8	
$V_I$	Input voltage			0	3.6	V
$V_O$	Output voltage	Active state		0	$V_{CCO}$	V
		3-state		0	3.6	
$I_{OH}$	High-level output current		1.2 V		-3	mA
			1.4 V to 1.6 V		-6	
			1.65 V to 1.95 V		-8	
			2.3 V to 2.7 V		-9	
			3 V to 3.6 V		-12	
$I_{OL}$	Low-level output current		1.1 V to 1.2 V		3	mA
			1.4 V to 1.6 V		6	
			1.65 V to 1.95 V		8	
			2.3 V to 2.7 V		9	
			3 V to 3.6 V		12	
$\Delta t/\Delta v$	Input transition rise or fall rate				5	ns/V
$T_A$	Operating ambient temperature			-40	125	°C

**6.4 Thermal Information**

THERMAL METRIC <sup>(1)</sup>		SN74AVC4T245-Q1	UNIT
		RGY (VQFN)	
		16 PINS	
$R_{\theta JA}$	Junction-to-ambient thermal resistance	37.5	°C/W
$R_{\theta JC(top)}$	Junction-to-case (top) thermal resistance	54.5	°C/W
$R_{\theta JB}$	Junction-to-board thermal resistance	15.6	°C/W
$\Psi_{JT}$	Junction-to-top characterization parameter	0.5	°C/W
$\Psi_{JB}$	Junction-to-board characterization parameter	15.8	°C/W
$R_{\theta JC(bot)}$	Junction-to-case (bottom) thermal resistance	3.5	°C/W

(1) For more information about traditional and new thermal metrics, see the *Semiconductor and IC Package Thermal Metrics* application report (SPRA953).

**6.5 Electrical Characteristics<sup>(1) (2)</sup>**

over recommended operating ambient temperature range (unless otherwise noted)

PARAMETER	TEST CONDITIONS	$V_{CCA}$	$V_{CCB}$	$T_A$	MIN	TYP	MAX	UNIT
$V_{OH}$	$I_{OH} = -100 \mu A$	$V_I = V_{IH}$	1.2 V to 3.6 V	1.2 V to 3.6 V	$T_A = -40^\circ C$ to $125^\circ C$	$V_{CCO} - 0.2$		V
	$I_{OH} = -3 \text{ mA}$		1.2 V	1.2 V	$T_A = 25^\circ C$	0.95		
	$I_{OH} = -6 \text{ mA}$		1.4 V	1.4 V	$T_A = -40^\circ C$ to $125^\circ C$	1.05		
	$I_{OH} = -8 \text{ mA}$		1.65 V	1.65 V	$T_A = -40^\circ C$ to $125^\circ C$	1.2		
	$I_{OH} = -9 \text{ mA}$		2.3 V	2.3 V	$T_A = -40^\circ C$ to $125^\circ C$	1.75		
	$I_{OH} = -12 \text{ mA}$		3 V	3 V	$T_A = -40^\circ C$ to $125^\circ C$	2.3		

(1)  $V_{CCO}$  is the  $V_{CC}$  associated with the output port.

(2)  $V_{CCI}$  is the  $V_{CC}$  associated with the input port.

**Electrical Characteristics<sup>(1) (2)</sup> (continued)**

over recommended operating ambient temperature range (unless otherwise noted)

PARAMETER		TEST CONDITIONS	V <sub>CCA</sub>	V <sub>CCB</sub>	T <sub>A</sub>	MIN	TYP	MAX	UNIT
V <sub>OL</sub>		V <sub>I</sub> = V <sub>IL</sub>	1.2 V to 3.6 V	1.2 V to 3.6 V	T <sub>A</sub> = -40°C to 125°C			0.2	V
			1.2 V	1.2 V	T <sub>A</sub> = 25°C		0.25		
			1.4 V	1.4 V	T <sub>A</sub> = -40°C to 125°C		0.35		
			1.65 V	1.65 V	T <sub>A</sub> = -40°C to 125°C		0.45		
			2.3 V	2.3 V	T <sub>A</sub> = -40°C to 125°C		0.55		
			3 V	3 V	T <sub>A</sub> = -40°C to 125°C		0.7		
I <sub>I</sub> <sup>(3)</sup>	Control inputs	V <sub>I</sub> = V <sub>CCA</sub> or GND	1.2 V to 3.6 V	1.2 V to 3.6 V	T <sub>A</sub> = 25°C		±0.025	±0.25	µA
					T <sub>A</sub> = -40°C to 125°C			±1.5	
I <sub>off</sub>	A or B port	V <sub>I</sub> or V <sub>O</sub> = 0 to 3.6 V	0 V	0 V to 3.6 V	T <sub>A</sub> = 25°C		±0.1	±1	µA
					T <sub>A</sub> = -40°C to 125°C			±5	
			0 V to 3.6 V	0 V	T <sub>A</sub> = 25°C		±0.1	±1	
					T <sub>A</sub> = -40°C to 125°C			±5	
I <sub>OZ</sub>	A or B port	V <sub>O</sub> = V <sub>CCO</sub> or GND, V <sub>I</sub> = V <sub>CCI</sub> or GND, $\overline{OE}$ = V <sub>IH</sub>	3.6 V	3.6 V	T <sub>A</sub> = 25°C		±0.5	±2.5	µA
					T <sub>A</sub> = -40°C to 125°C			±5	
I <sub>CCA</sub> <sup>(3)</sup>		V <sub>I</sub> = V <sub>CCI</sub> or GND, I <sub>O</sub> = 0	1.2 V to 3.6 V	1.2 V to 3.6 V	T <sub>A</sub> = -40°C to 125°C			8	µA
					T <sub>A</sub> = 25°C			-2	
			0 V	0 V to 3.6 V	T <sub>A</sub> = -40°C to 125°C			-11	
					T <sub>A</sub> = 25°C			8	
I <sub>CCB</sub> <sup>(3)</sup>		V <sub>I</sub> = V <sub>CCI</sub> or GND, I <sub>O</sub> = 0	1.2 V to 3.6 V	1.2 V to 3.6 V	T <sub>A</sub> = -40°C to 125°C			8	µA
					T <sub>A</sub> = 25°C			8	
			0 V	0 V to 3.6 V	T <sub>A</sub> = -40°C to 125°C			-2	
					T <sub>A</sub> = 25°C			-11	
I <sub>CCA</sub> + I <sub>CCB</sub>		V <sub>I</sub> = V <sub>CCI</sub> or GND, I <sub>O</sub> = 0	1.2 V to 3.6 V	1.2 V to 3.6 V	T <sub>A</sub> = -40°C to 125°C			16	µA
C <sub>i</sub>	Control inputs	V <sub>I</sub> = 3.3 V or GND	3.3 V	3.3 V	T <sub>A</sub> = 25°C		3.5	4.5	pF
					T <sub>A</sub> = -40°C to 125°C			7	
C <sub>io</sub>	A or B port	V <sub>O</sub> = 3.3 V or GND	3.3 V	3.3 V	T <sub>A</sub> = 25°C		6		pF
					T <sub>A</sub> = -40°C to 125°C				

(3) All unused data inputs of the device must be held at V<sub>CCI</sub> or GND to ensure proper device operation. See the TI application report, *Implications of Slow or Floating CMOS Inputs*, [SCBA004](#).

## 6.6 Switching Characteristics: $V_{CCA} = 1.2\text{ V}$

over recommended operating ambient temperature range,  $V_{CCA} = 1.2\text{ V}$  (unless otherwise noted) (see [Figure 12](#))

PARAMETER	FROM (INPUT)	TO (OUTPUT)	$V_{CCB}$	TYP	UNIT
$t_{PHL}$ , $t_{PLH}$	A	B	$V_{CCB} = 1.2\text{ V}$	3.4	ns
			$V_{CCB} = 1.5\text{ V} \pm 0.1\text{ V}$	2.9	
			$V_{CCB} = 1.8\text{ V} \pm 0.15\text{ V}$	2.7	
			$V_{CCB} = 2.5\text{ V} \pm 0.2\text{ V}$	2.6	
			$V_{CCB} = 3.3\text{ V} \pm 0.3\text{ V}$	2.8	
$t_{PHL}$ , $t_{PLH}$	B	A	$V_{CCB} = 1.2\text{ V}$	3.6	ns
			$V_{CCB} = 1.5\text{ V} \pm 0.1\text{ V}$	3.1	
			$V_{CCB} = 1.8\text{ V} \pm 0.15\text{ V}$	2.8	
			$V_{CCB} = 2.5\text{ V} \pm 0.2\text{ V}$	2.6	
			$V_{CCB} = 3.3\text{ V} \pm 0.3\text{ V}$	2.6	
$t_{PHZ}$ , $t_{PLZ}$	$\overline{OE}$	A	$V_{CCB} = 1.2\text{ V}$	5.6	ns
			$V_{CCB} = 1.5\text{ V} \pm 0.1\text{ V}$	4.7	
			$V_{CCB} = 1.8\text{ V} \pm 0.15\text{ V}$	4.3	
			$V_{CCB} = 2.5\text{ V} \pm 0.2\text{ V}$	3.9	
			$V_{CCB} = 3.3\text{ V} \pm 0.3\text{ V}$	3.7	
$t_{PZH}$	$\overline{OE}$	B	$V_{CCB} = 1.2\text{ V}$	5	ns
			$V_{CCB} = 1.5\text{ V} \pm 0.1\text{ V}$	4.3	
			$V_{CCB} = 1.8\text{ V} \pm 0.15\text{ V}$	3.9	
			$V_{CCB} = 2.5\text{ V} \pm 0.2\text{ V}$	3.6	
			$V_{CCB} = 3.3\text{ V} \pm 0.3\text{ V}$	36.6	
$t_{PZL}$	$\overline{OE}$	B	$V_{CCB} = 1.2\text{ V}$	5	ns
			$V_{CCB} = 1.5\text{ V} \pm 0.1\text{ V}$	4.3	
			$V_{CCB} = 1.8\text{ V} \pm 0.15\text{ V}$	3.9	
			$V_{CCB} = 2.5\text{ V} \pm 0.2\text{ V}$	3.6	
			$V_{CCB} = 3.3\text{ V} \pm 0.3\text{ V}$	3.6	
$t_{PHZ}$ , $t_{PLZ}$	$\overline{OE}$	A	$V_{CCB} = 1.2\text{ V}$	6.2	ns
			$V_{CCB} = 1.5\text{ V} \pm 0.1\text{ V}$	5.2	
			$V_{CCB} = 1.8\text{ V} \pm 0.15\text{ V}$	5.2	
			$V_{CCB} = 2.5\text{ V} \pm 0.2\text{ V}$	4.3	
			$V_{CCB} = 3.3\text{ V} \pm 0.3\text{ V}$	4.8	
$t_{PHZ}$ , $t_{PLZ}$	$\overline{OE}$	B	$V_{CCB} = 1.2\text{ V}$	5.9	ns
			$V_{CCB} = 1.5\text{ V} \pm 0.1\text{ V}$	5.1	
			$V_{CCB} = 1.8\text{ V} \pm 0.15\text{ V}$	5	
			$V_{CCB} = 2.5\text{ V} \pm 0.2\text{ V}$	4.7	
			$V_{CCB} = 3.3\text{ V} \pm 0.3\text{ V}$	5.5	

### 6.7 Switching Characteristics, $V_{CCA} = 1.5\text{ V} \pm 0.1\text{ V}$

 over recommended operating ambient temperature range,  $V_{CCA} = 1.5\text{ V} \pm 0.1\text{ V}$  (see [Figure 12](#))

PARAMETER	FROM (INPUT)	TO (OUTPUT)	$V_{CCB}$	MIN	TYP	MAX	UNIT
$t_{PLH}$ , $t_{PHL}$	A	B	$V_{CCB} = 1.2\text{ V}$		3.2		ns
			$V_{CCB} = 1.5\text{ V} \pm 0.1\text{ V}$			11.3	
			$V_{CCB} = 1.8\text{ V} \pm 0.15\text{ V}$			10.2	
			$V_{CCB} = 2.5\text{ V} \pm 0.2\text{ V}$			9.2	
			$V_{CCB} = 3.3\text{ V} \pm 0.3\text{ V}$			9.2	
$t_{PLH}$ , $t_{PHL}$	B	A	$V_{CCB} = 1.2\text{ V}$		3.3		ns
			$V_{CCB} = 1.5\text{ V} \pm 0.1\text{ V}$			11.3	
			$V_{CCB} = 1.8\text{ V} \pm 0.15\text{ V}$			11	
			$V_{CCB} = 2.5\text{ V} \pm 0.2\text{ V}$			10.7	
			$V_{CCB} = 3.3\text{ V} \pm 0.3\text{ V}$			10.6	
$t_{PZH}$ , $t_{PZL}$	$\overline{OE}$	A	$V_{CCB} = 1.2\text{ V}$		4.9		ns
			$V_{CCB} = 1.5\text{ V} \pm 0.1\text{ V}$			14.6	
			$V_{CCB} = 1.8\text{ V} \pm 0.15\text{ V}$			14.5	
			$V_{CCB} = 2.5\text{ V} \pm 0.2\text{ V}$			14.4	
			$V_{CCB} = 3.3\text{ V} \pm 0.3\text{ V}$			14.4	
$t_{PZH}$ , $t_{PZL}$	$\overline{OE}$	B	$V_{CCB} = 1.2\text{ V}$		4.5		ns
			$V_{CCB} = 1.5\text{ V} \pm 0.1\text{ V}$			14.6	
			$V_{CCB} = 1.8\text{ V} \pm 0.15\text{ V}$			12.7	
			$V_{CCB} = 2.5\text{ V} \pm 0.2\text{ V}$			10.8	
			$V_{CCB} = 3.3\text{ V} \pm 0.3\text{ V}$			10.6	
$t_{PZH}$ , $t_{PZL}$	$\overline{OE}$	A	$V_{CCB} = 1.2\text{ V}$		5.6		ns
			$V_{CCB} = 1.5\text{ V} \pm 0.1\text{ V}$			15.2	
			$V_{CCB} = 1.8\text{ V} \pm 0.15\text{ V}$			15.2	
			$V_{CCB} = 2.5\text{ V} \pm 0.2\text{ V}$			15.2	
			$V_{CCB} = 3.3\text{ V} \pm 0.3\text{ V}$			15.2	
$t_{PZH}$ , $t_{PZL}$	$\overline{OE}$	B	$V_{CCB} = 1.2\text{ V}$		5.2		ns
			$V_{CCB} = 1.5\text{ V} \pm 0.1\text{ V}$			15.3	
			$V_{CCB} = 1.8\text{ V} \pm 0.15\text{ V}$			14.1	
			$V_{CCB} = 2.5\text{ V} \pm 0.2\text{ V}$			12.4	
			$V_{CCB} = 3.3\text{ V} \pm 0.3\text{ V}$			12.6	

### 6.8 Switching Characteristics: $V_{CCA} = 1.8\text{ V} \pm 0.15\text{ V}$

 over recommended operating ambient temperature range,  $V_{CCA} = 1.8\text{ V} \pm 0.15\text{ V}$  (see [Figure 12](#))

PARAMETER	FROM (INPUT)	TO (OUTPUT)	$V_{CCB}$	MIN	TYP	MAX	UNIT
$t_{PLH}$ , $t_{PHL}$	A	B	$V_{CCB} = 1.2\text{ V}$		2.9		ns
			$V_{CCB} = 1.5\text{ V} \pm 0.1\text{ V}$			11	
			$V_{CCB} = 1.8\text{ V} \pm 0.15\text{ V}$			9.9	
			$V_{CCB} = 2.5\text{ V} \pm 0.2\text{ V}$			8.9	
			$V_{CCB} = 3.3\text{ V} \pm 0.3\text{ V}$			8.9	
$t_{PLH}$ , $t_{PHL}$	B	A	$V_{CCB} = 1.2\text{ V}$		3		ns
			$V_{CCB} = 1.5\text{ V} \pm 0.1\text{ V}$			10.3	
			$V_{CCB} = 1.8\text{ V} \pm 0.15\text{ V}$			9.9	
			$V_{CCB} = 2.5\text{ V} \pm 0.2\text{ V}$			9.6	
			$V_{CCB} = 3.3\text{ V} \pm 0.3\text{ V}$			9.5	



**Switching Characteristics:  $V_{CCA} = 1.8\text{ V} \pm 0.15\text{ V}$  (continued)**

 over recommended operating ambient temperature range,  $V_{CCA} = 1.8\text{ V} \pm 0.15\text{ V}$  (see [Figure 12](#))

PARAMETER	FROM (INPUT)	TO (OUTPUT)	$V_{CCB}$	MIN	TYP	MAX	UNIT
$t_{PZH}, t_{PZL}$	$\overline{OE}$	A	$V_{CCB} = 1.2\text{ V}$		4.4		ns
			$V_{CCB} = 1.5\text{ V} \pm 0.1\text{ V}$			12.4	
			$V_{CCB} = 1.8\text{ V} \pm 0.15\text{ V}$			12.3	
			$V_{CCB} = 2.5\text{ V} \pm 0.2\text{ V}$			12.3	
			$V_{CCB} = 3.3\text{ V} \pm 0.3\text{ V}$			12.2	
$t_{PZH}, t_{PZL}$	$\overline{OE}$	B	$V_{CCB} = 1.2\text{ V}$		4.1		ns
			$V_{CCB} = 1.5\text{ V} \pm 0.1\text{ V}$			14.2	
			$V_{CCB} = 1.8\text{ V} \pm 0.15\text{ V}$			12.4	
			$V_{CCB} = 2.5\text{ V} \pm 0.2\text{ V}$			10.3	
			$V_{CCB} = 3.3\text{ V} \pm 0.3\text{ V}$			9.6	
$t_{PZH}, t_{PZL}$	$\overline{OE}$	A	$V_{CCB} = 1.2\text{ V}$		5.4		ns
			$V_{CCB} = 1.5\text{ V} \pm 0.1\text{ V}$			13.6	
			$V_{CCB} = 1.8\text{ V} \pm 0.15\text{ V}$			13.7	
			$V_{CCB} = 2.5\text{ V} \pm 0.2\text{ V}$			13.7	
			$V_{CCB} = 3.3\text{ V} \pm 0.3\text{ V}$			13.7	
$t_{PZH}, t_{PZL}$	$\overline{OE}$	B	$V_{CCB} = 1.2\text{ V}$		5		ns
			$V_{CCB} = 1.5\text{ V} \pm 0.1\text{ V}$			14.9	
			$V_{CCB} = 1.8\text{ V} \pm 0.15\text{ V}$			13.7	
			$V_{CCB} = 2.5\text{ V} \pm 0.2\text{ V}$			11.9	
			$V_{CCB} = 3.3\text{ V} \pm 0.3\text{ V}$			11.9	

**6.9 Switching Characteristics:  $V_{CCA} = 2.5\text{ V} \pm 0.2\text{ V}$** 

 over recommended operating ambient temperature range,  $V_{CCA} = 2.5\text{ V} \pm 0.2\text{ V}$  (see [Figure 12](#))

PARAMETER	FROM (INPUT)	TO (OUTPUT)	$V_{CCB}$	MIN	TYP	MAX	UNIT
$t_{PLH}, t_{PHL}$	A	B	$V_{CCB} = 1.2\text{ V}$		2.8		ns
			$V_{CCB} = 1.5\text{ V} \pm 0.1\text{ V}$			10.7	
			$V_{CCB} = 1.8\text{ V} \pm 0.15\text{ V}$			9.6	
			$V_{CCB} = 2.5\text{ V} \pm 0.2\text{ V}$			8.5	
			$V_{CCB} = 3.3\text{ V} \pm 0.3\text{ V}$			8.6	
$t_{PLH}, t_{PHL}$	B	A	$V_{CCB} = 1.2\text{ V}$		2.7		ns
			$V_{CCB} = 1.5\text{ V} \pm 0.1\text{ V}$			9.2	
			$V_{CCB} = 1.8\text{ V} \pm 0.15\text{ V}$			8.9	
			$V_{CCB} = 2.5\text{ V} \pm 0.2\text{ V}$			8.4	
			$V_{CCB} = 3.3\text{ V} \pm 0.3\text{ V}$			8.3	
$t_{PZH}, t_{PZL}$	$\overline{OE}$	A	$V_{CCB} = 1.2\text{ V}$		4		ns
			$V_{CCB} = 1.5\text{ V} \pm 0.1\text{ V}$			11.5	
			$V_{CCB} = 1.8\text{ V} \pm 0.15\text{ V}$			10.2	
			$V_{CCB} = 2.5\text{ V} \pm 0.2\text{ V}$			9.8	
			$V_{CCB} = 3.3\text{ V} \pm 0.3\text{ V}$			9.8	
$t_{PZH}, t_{PZL}$	$\overline{OE}$	B	$V_{CCB} = 1.2\text{ V}$		3.8		ns
			$V_{CCB} = 1.5\text{ V} \pm 0.1\text{ V}$			13.8	
			$V_{CCB} = 1.8\text{ V} \pm 0.15\text{ V}$			12	
			$V_{CCB} = 2.5\text{ V} \pm 0.2\text{ V}$			9.8	
			$V_{CCB} = 3.3\text{ V} \pm 0.3\text{ V}$			9	

**Switching Characteristics:  $V_{CCA} = 2.5\text{ V} \pm 0.2\text{ V}$  (continued)**

 over recommended operating ambient temperature range,  $V_{CCA} = 2.5\text{ V} \pm 0.2\text{ V}$  (see [Figure 12](#))

PARAMETER	FROM (INPUT)	TO (OUTPUT)	$V_{CCB}$	MIN	TYP	MAX	UNIT
$t_{PHZ}$ , $t_{PLZ}$	$\overline{OE}$	A	$V_{CCB} = 1.2\text{ V}$		4.7		ns
			$V_{CCB} = 1.5\text{ V} \pm 0.1\text{ V}$			13.4	
			$V_{CCB} = 1.8\text{ V} \pm 0.15\text{ V}$			13.4	
			$V_{CCB} = 2.5\text{ V} \pm 0.2\text{ V}$			11.2	
			$V_{CCB} = 3.3\text{ V} \pm 0.3\text{ V}$			11.5	
$t_{PHZ}$ , $t_{PLZ}$	$\overline{OE}$	B	$V_{CCB} = 1.2\text{ V}$		4.5		ns
			$V_{CCB} = 1.5\text{ V} \pm 0.1\text{ V}$			14.4	
			$V_{CCB} = 1.8\text{ V} \pm 0.15\text{ V}$			13.2	
			$V_{CCB} = 2.5\text{ V} \pm 0.2\text{ V}$			11.2	
			$V_{CCB} = 3.3\text{ V} \pm 0.3\text{ V}$			10.2	

**6.10 Switching Characteristics:  $V_{CCA} = 3.3\text{ V} \pm 0.3\text{ V}$** 

 over recommended operating ambient temperature range,  $V_{CCA} = 3.3\text{ V} \pm 0.3\text{ V}$  (see [Figure 12](#))

PARAMETER	FROM (INPUT)	TO (OUTPUT)	$V_{CCB}$	MIN	TYP	MAX	UNIT
$t_{PLH}$ , $t_{PHL}$	A	B	$V_{CCB} = 1.2\text{ V}$		2.9		ns
			$V_{CCB} = 1.5\text{ V} \pm 0.1\text{ V}$			10.6	
			$V_{CCB} = 1.8\text{ V} \pm 0.15\text{ V}$			9.5	
			$V_{CCB} = 2.5\text{ V} \pm 0.2\text{ V}$			8.3	
			$V_{CCB} = 3.3\text{ V} \pm 0.3\text{ V}$			7.9	
$t_{PLH}$ , $t_{PHL}$	B	A	$V_{CCB} = 1.2\text{ V}$		2.6		ns
			$V_{CCB} = 1.5\text{ V} \pm 0.1\text{ V}$			9.2	
			$V_{CCB} = 1.8\text{ V} \pm 0.15\text{ V}$			8.4	
			$V_{CCB} = 2.5\text{ V} \pm 0.2\text{ V}$			8	
			$V_{CCB} = 3.3\text{ V} \pm 0.3\text{ V}$			7.8	
$t_{PHZ}$ , $t_{PLZ}$	$\overline{OE}$	A	$V_{CCB} = 1.2\text{ V}$		3.8		ns
			$V_{CCB} = 1.5\text{ V} \pm 0.1\text{ V}$			13.7	
			$V_{CCB} = 1.8\text{ V} \pm 0.15\text{ V}$			10.2	
			$V_{CCB} = 2.5\text{ V} \pm 0.2\text{ V}$			8.8	
			$V_{CCB} = 3.3\text{ V} \pm 0.3\text{ V}$			8.8	
$t_{PHZ}$ , $t_{PLZ}$	$\overline{OE}$	B	$V_{CCB} = 1.2\text{ V}$		3.7		ns
			$V_{CCB} = 1.5\text{ V} \pm 0.1\text{ V}$			13.7	
			$V_{CCB} = 1.8\text{ V} \pm 0.15\text{ V}$			11.8	
			$V_{CCB} = 2.5\text{ V} \pm 0.2\text{ V}$			9.7	
			$V_{CCB} = 3.3\text{ V} \pm 0.3\text{ V}$			8.8	
$t_{PHZ}$ , $t_{PLZ}$	$\overline{OE}$	A	$V_{CCB} = 1.2\text{ V}$		4.8		ns
			$V_{CCB} = 1.5\text{ V} \pm 0.1\text{ V}$			14.3	
			$V_{CCB} = 1.8\text{ V} \pm 0.15\text{ V}$			13.3	
			$V_{CCB} = 2.5\text{ V} \pm 0.2\text{ V}$			10.6	
			$V_{CCB} = 3.3\text{ V} \pm 0.3\text{ V}$			11.6	
$t_{PHZ}$ , $t_{PLZ}$	$\overline{OE}$	B	$V_{CCB} = 1.2\text{ V}$		5.3		ns
			$V_{CCB} = 1.5\text{ V} \pm 0.1\text{ V}$			14.3	
			$V_{CCB} = 1.8\text{ V} \pm 0.15\text{ V}$			13.1	
			$V_{CCB} = 2.5\text{ V} \pm 0.2\text{ V}$			11.4	
			$V_{CCB} = 3.3\text{ V} \pm 0.3\text{ V}$			11.2	

## 6.11 Operating Characteristics

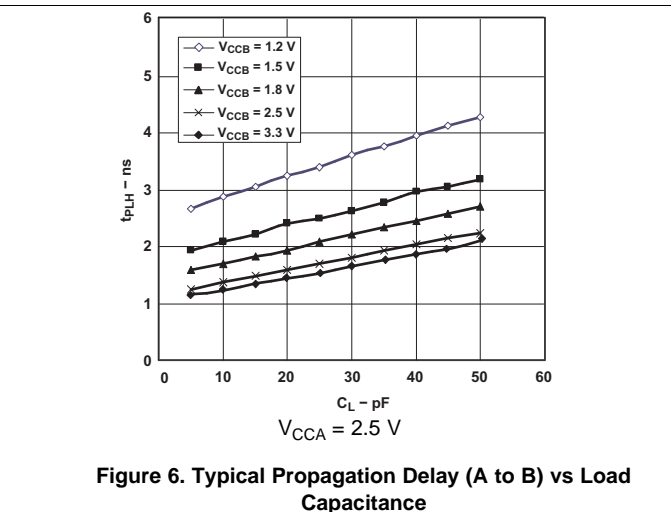
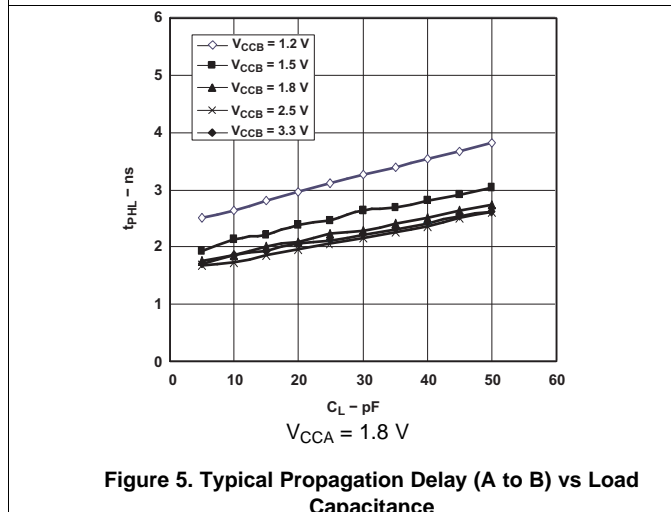
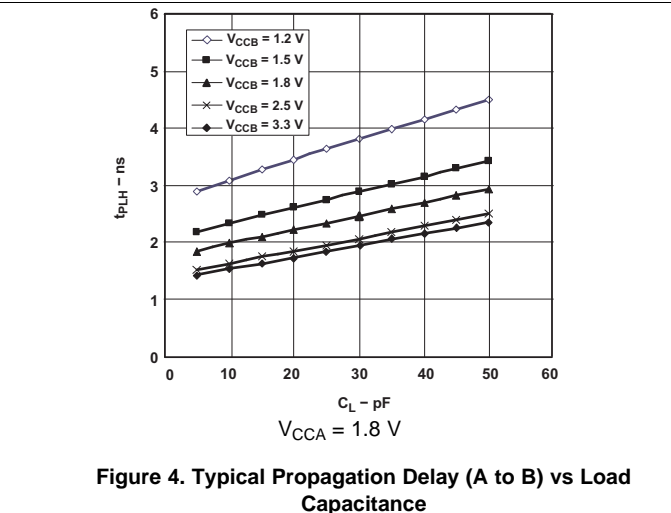
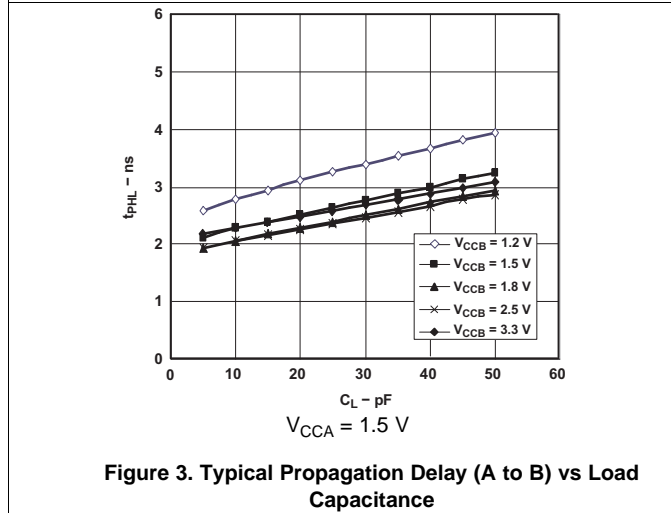
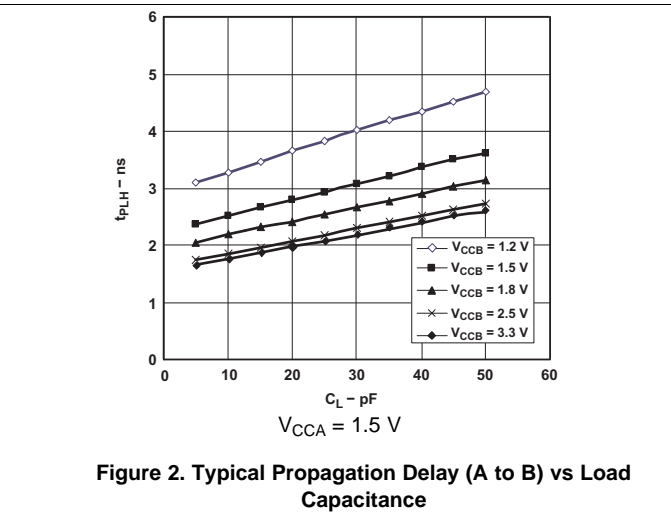
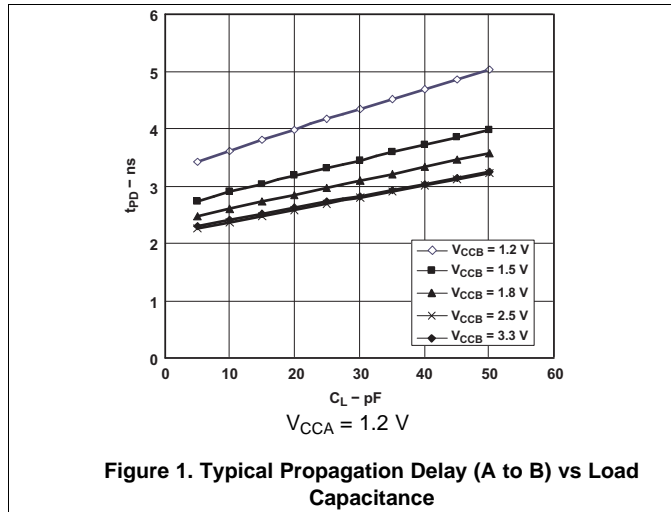
 $T_A = 25^\circ\text{C}$ 

PARAMETER		TEST CONDITIONS	$V_{CCA}$	TYP	UNIT	
$C_{pdA}^{(1)}$	A to B	Outputs enabled	$C_L = 0,$ $f = 10\text{ MHz},$ $t_r = t_f = 1\text{ ns}$	$V_{CCA} = V_{CCB} = 1.2\text{ V}$	1	pF
				$V_{CCA} = V_{CCB} = 1.5\text{ V}$	1	
				$V_{CCA} = V_{CCB} = 1.8\text{ V}$	1	
				$V_{CCA} = V_{CCB} = 2.5\text{ V}$	1.5	
				$V_{CCA} = V_{CCB} = 3.3\text{ V}$	2	
	Outputs disabled	$C_L = 0,$ $f = 10\text{ MHz},$ $t_r = t_f = 1\text{ ns}$	$V_{CCA} = V_{CCB} = 1.2\text{ V}$	1		
			$V_{CCA} = V_{CCB} = 1.5\text{ V}$			
			$V_{CCA} = V_{CCB} = 1.8\text{ V}$			
			$V_{CCA} = V_{CCB} = 2.5\text{ V}$			
			$V_{CCA} = V_{CCB} = 3.3\text{ V}$			
	B to A	Outputs enabled	$C_L = 0,$ $f = 10\text{ MHz},$ $t_r = t_f = 1\text{ ns}$	$V_{CCA} = V_{CCB} = 1.2\text{ V}$	12	
				$V_{CCA} = V_{CCB} = 1.5\text{ V}$	12.5	
				$V_{CCA} = V_{CCB} = 1.8\text{ V}$	13	
				$V_{CCA} = V_{CCB} = 2.5\text{ V}$	14	
				$V_{CCA} = V_{CCB} = 3.3\text{ V}$	15	
		Outputs disabled	$C_L = 0,$ $f = 10\text{ MHz},$ $t_r = t_f = 1\text{ ns}$	$V_{CCA} = V_{CCB} = 1.2\text{ V}$	1	
$V_{CCA} = V_{CCB} = 1.5\text{ V}$						
$V_{CCA} = V_{CCB} = 1.8\text{ V}$						
$V_{CCA} = V_{CCB} = 2.5\text{ V}$						
$V_{CCA} = V_{CCB} = 3.3\text{ V}$						
$C_{pdB}^{(1)}$	A to B	Outputs enabled	$C_L = 0,$ $f = 10\text{ MHz},$ $t_r = t_f = 1\text{ ns}$	$V_{CCA} = V_{CCB} = 1.2\text{ V}$	12	pF
				$V_{CCA} = V_{CCB} = 1.5\text{ V}$	12.5	
				$V_{CCA} = V_{CCB} = 1.8\text{ V}$	13	
				$V_{CCA} = V_{CCB} = 2.5\text{ V}$	14	
				$V_{CCA} = V_{CCB} = 3.3\text{ V}$	15	
		Outputs disabled	$C_L = 0,$ $f = 10\text{ MHz},$ $t_r = t_f = 1\text{ ns}$	$V_{CCA} = V_{CCB} = 1.2\text{ V}$	1	
				$V_{CCA} = V_{CCB} = 1.5\text{ V}$		
				$V_{CCA} = V_{CCB} = 1.8\text{ V}$		
				$V_{CCA} = V_{CCB} = 2.5\text{ V}$		
				$V_{CCA} = V_{CCB} = 3.3\text{ V}$		
	B to A	Outputs enabled	$C_L = 0,$ $f = 10\text{ MHz},$ $t_r = t_f = 1\text{ ns}$	$V_{CCA} = V_{CCB} = 1.2\text{ V}$	1	
				$V_{CCA} = V_{CCB} = 1.5\text{ V}$	1	
				$V_{CCA} = V_{CCB} = 1.8\text{ V}$	1	
		Outputs disabled	$C_L = 0,$ $f = 10\text{ MHz},$ $t_r = t_f = 1\text{ ns}$	$V_{CCA} = V_{CCB} = 2.5\text{ V}$	1	
				$V_{CCA} = V_{CCB} = 3.3\text{ V}$	2	
				$V_{CCA} = V_{CCB} = 1.2\text{ V}$	1	
$V_{CCA} = V_{CCB} = 1.5\text{ V}$						
$V_{CCA} = V_{CCB} = 1.8\text{ V}$						
			$V_{CCA} = V_{CCB} = 2.5\text{ V}$			
			$V_{CCA} = V_{CCB} = 3.3\text{ V}$			

(1) Power dissipation capacitance per transceiver

### 6.12 Typical Characteristics

T<sub>A</sub> = 25°C



Typical Characteristics (continued)

T<sub>A</sub> = 25°C

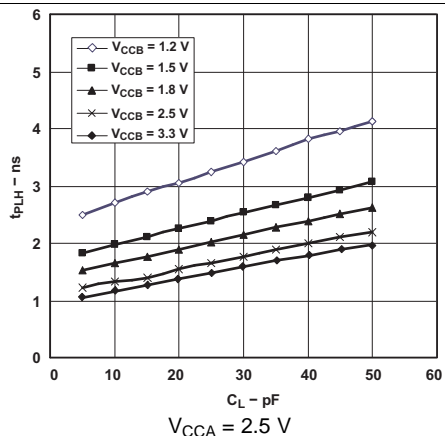


Figure 7. Typical Propagation Delay (A to B) vs Load Capacitance

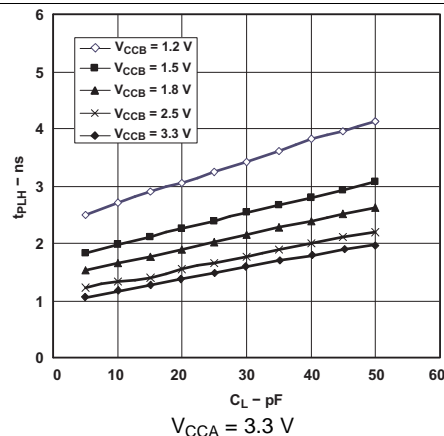


Figure 8. Typical Propagation Delay (A to B) vs Load Capacitance

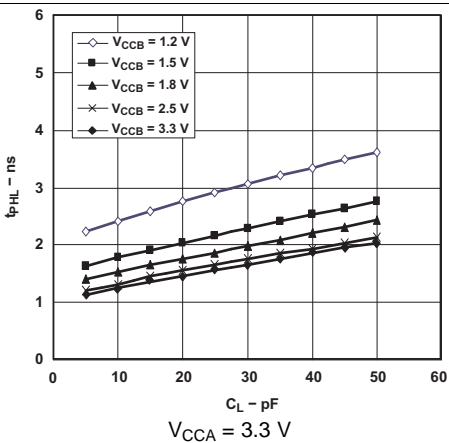


Figure 9. Typical Propagation Delay (A to B) vs Load Capacitance

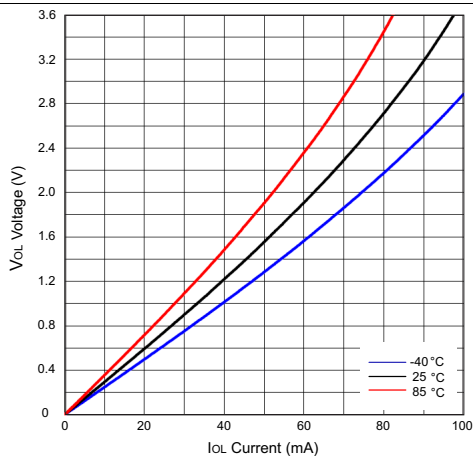


Figure 10. Low-Level Output Voltage (VOL) vs Low-Level Current (IOL)

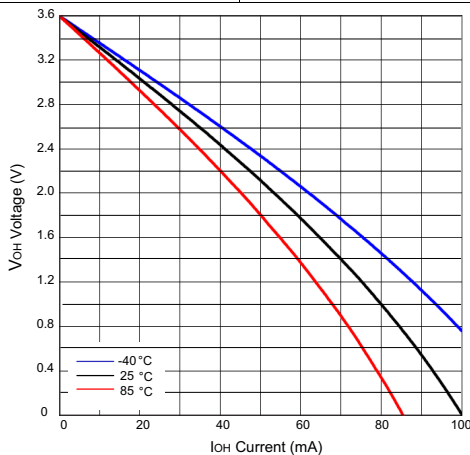
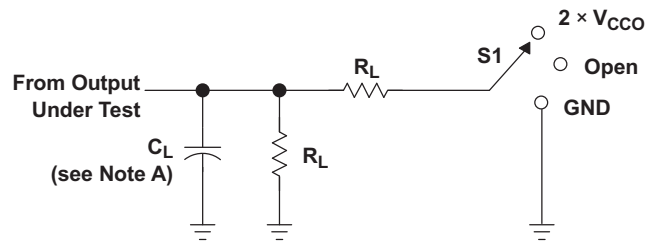


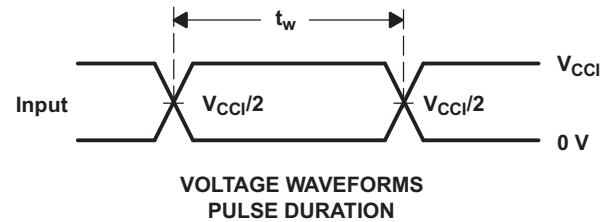
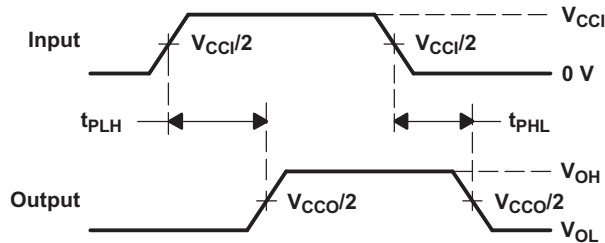
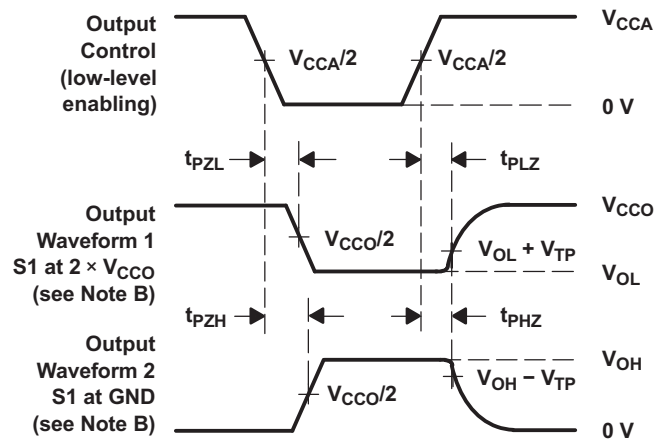
Figure 11. High-Level Output Voltage (VOH) vs High-Level Current (IOH)

## 7 Parameter Measurement Information


**LOAD CIRCUIT**

$V_{CCO}$	$C_L$	$R_L$	$V_{TP}$
1.2 V	15 pF	2 k $\Omega$	0.1 V
1.5 V $\pm$ 0.1 V	15 pF	2 k $\Omega$	0.1 V
1.8 V $\pm$ 0.15 V	15 pF	2 k $\Omega$	0.15 V
2.5 V $\pm$ 0.2 V	15 pF	2 k $\Omega$	0.15 V
3.3 V $\pm$ 0.3 V	15 pF	2 k $\Omega$	0.3 V

TEST	S1
$t_{pd}$	Open
$t_{PLZ}/t_{PZL}$	$2 \times V_{CCO}$
$t_{PHZ}/t_{PZH}$	GND


**VOLTAGE WAVEFORMS  
PULSE DURATION**

**VOLTAGE WAVEFORMS  
PROPAGATION DELAY TIMES**

**VOLTAGE WAVEFORMS  
ENABLE AND DISABLE TIMES**

- NOTES:
- $C_L$  includes probe and jig capacitance.
  - Waveform 1 is for an output with internal conditions such that the output is low except when disabled by the output control. Waveform 2 is for an output with internal conditions such that the output is high, except when disabled by the output control.
  - All input pulses are supplied by generators having the following characteristics: PRR  $\leq$  10 MHz,  $Z_O = 50 \Omega$ ,  $dv/dt \geq 1$  V/ns.
  - The outputs are measured one at a time, with one transition per measurement.
  - $t_{PLZ}$  and  $t_{PHZ}$  are the same as  $t_{dis}$ .
  - $t_{PZL}$  and  $t_{PZH}$  are the same as  $t_{en}$ .
  - $t_{PLH}$  and  $t_{PHL}$  are the same as  $t_{pd}$ .
  - $V_{CCI}$  is the  $V_{CC}$  associated with the input port.
  - $V_{CCO}$  is the  $V_{CC}$  associated with the output port.

**Figure 12. Load and Circuit and Voltage Waveforms**

## 8 Detailed Description

### 8.1 Overview

The SN74AVC4T245-Q1 is a 4-bit, dual-supply noninverting bidirectional voltage level translation device. Ax pins and control pins (1DIR, 2DIR,  $\overline{1OE}$ , and  $\overline{2OE}$ ) are supported by  $V_{CCA}$ , and Bx pins are supported by  $V_{CCB}$ . The A port is able to accept I/O voltages ranging from 1.2 V to 3.6 V, while the B port can accept I/O voltages from 1.2 V to 3.6 V. A high on DIR allows data transmission from Ax to Bx and a low on DIR allows data transmission from Bx to Ax when  $\overline{OE}$  is set to low. When  $\overline{OE}$  is set to high, both Ax and Bx pins are in the high-impedance state.

### 8.2 Functional Block Diagram

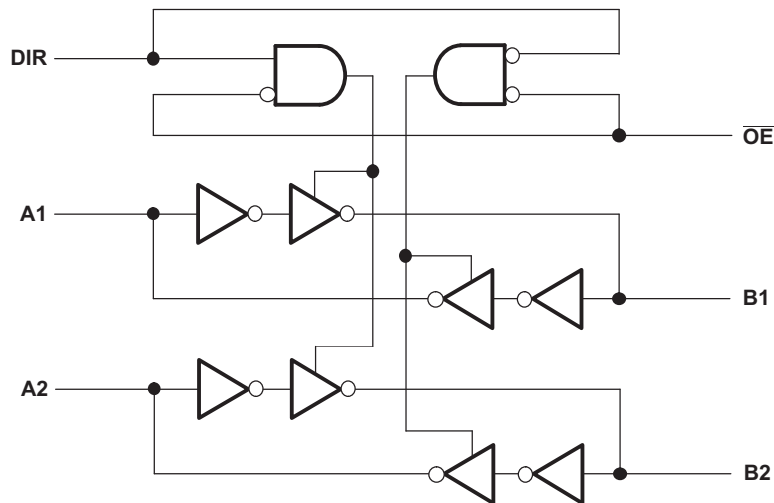


Figure 13. Logic Diagram (Positive Logic) for 1/2 of SN74AVC4T245-Q1

## 8.3 Feature Description

### 8.3.1 Fully Configurable Dual-Rail Design

Both  $V_{CCA}$  and  $V_{CCB}$  can be supplied at any voltage between 1.2 V and 3.6 V; thus, making the device suitable for translating between any of the low voltage nodes (1.2 V, 1.8 V, 2.5 V, and 3.3 V).

### 8.3.2 Supports High Speed Translation

The SN74AVC4T245-Q1 device can support high data rate applications. The translated signal data rate can be up to 380 Mbps when the signal is translated from 1.8 V to 3.3 V.

### 8.3.3 $I_{off}$ Supports Partial-Power-Down Mode Operation

$I_{off}$  prevents backflow current by disabling I/O output circuits when the device is in partial-power-down mode.

## 8.4 Device Functional Modes

Table 1 lists the functional modes of the SN74AVC4T245-Q1 device.

**Table 1. Function Table  
(Each 2-Bit Section)<sup>(1)</sup>**

CONTROL INPUTS		OUTPUT CIRCUITS		OPERATION
$\overline{OE}$	DIR	A PORT	B PORT	
L	L	Enabled	Hi-Z	B data to A bus
L	H	Hi-Z	Enabled	A data to B bus
H	X	Hi-Z	Hi-Z	Isolation

(1) Input circuits of the data I/Os are always active.



## 9 Application and Implementation

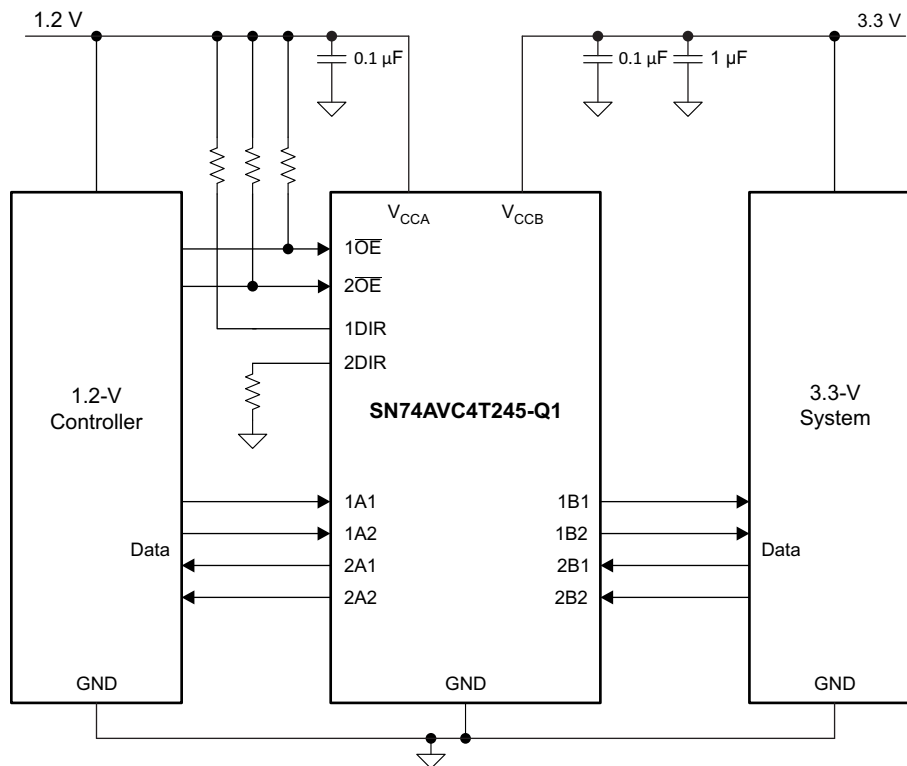
### NOTE

Information in the following applications sections is not part of the TI component specification, and TI does not warrant its accuracy or completeness. TI's customers are responsible for determining suitability of components for their purposes. Customers should validate and test their design implementation to confirm system functionality.

### 9.1 Application Information

The SN74AVC4T245-Q1 device can be used in level-translation applications for interfacing devices or systems operating at different interface voltages with one another. The SN74AVC4T245-Q1 device is ideal for use in applications where a push-pull driver is connected to the data I/Os. The maximum data rate can be up to 380 Mbps when the device translates a signal from 1.8 V to 3.3 V.

### 9.2 Typical Application



**Figure 14. Typical Application Diagram**

## Typical Application (continued)

### 9.2.1 Design Requirements

Table 2 lists the parameters for this design example.

**Table 2. Design Parameters**

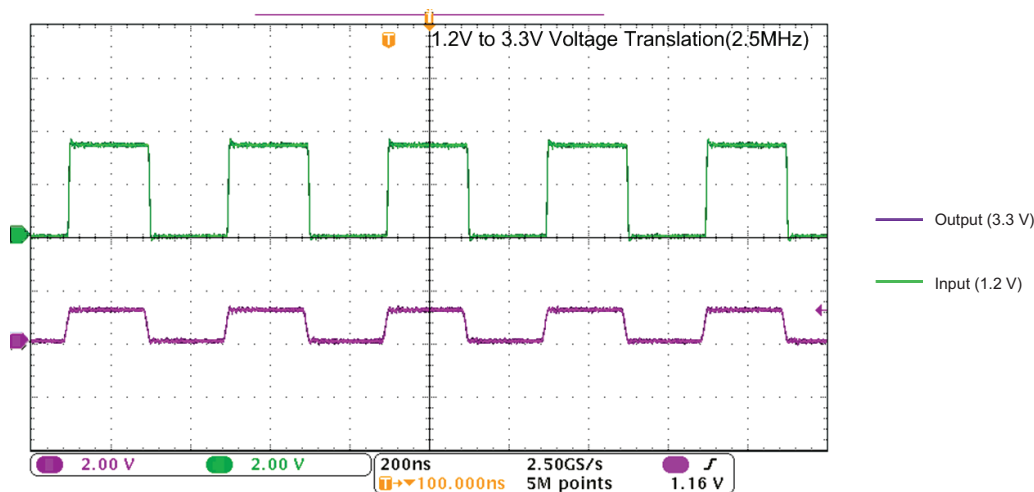
DESIGN PARAMETER	EXAMPLE VALUE
Input voltage range	1.2 V
Output voltage range	3.3 V

### 9.2.2 Detailed Design Procedure

To begin the design process, determine the following:

- Input voltage range
  - Use the supply voltage of the device that is driving the SN74AVC4T245-Q1 device to determine the input voltage range. For a valid logic high, the value must exceed the  $V_{IH}$  of the input port. For a valid logic low, the value must be less than the  $V_{IL}$  of the input port. For this example, the input voltage is 1.2 V.
- Output voltage range
  - Use the supply voltage of the device that the SN74AVC4T245-Q1 device is driving to determine the output voltage range. For this example, the output voltage is 3.3 V.

### 9.2.3 Application Curve



**Figure 15. Translation Up (1.2 V to 3.3 V) at 2.5 MHz**

## 10 Power Supply Recommendations

The SN74AVC4T245-Q1 device uses two separate configurable power-supply rails:  $V_{CCA}$  and  $V_{CCB}$ .  $V_{CCA}$  accepts any supply voltage from 1.2 V to 3.6 V, and  $V_{CCB}$  accepts any supply voltage from 1.2 V to 3.6 V. The A port and B port are designed to track  $V_{CCA}$  and  $V_{CCB}$  respectively, allowing for low-voltage bidirectional translation between any of the 1.2-V, 1.5-V, 1.8-V, 2.5-V, and 3.3-V voltage nodes.

The output-enable ( $\overline{OE}$ ) input circuit is designed so that it is supplied by  $V_{CCA}$ ; when the  $\overline{OE}$  input is high, all outputs are placed in the high-impedance state. To ensure the high-impedance state of the outputs during power up or power down, the  $\overline{OE}$  input pin must be tied to  $V_{CCA}$  through a pullup resistor and must not be enabled until  $V_{CCA}$  and  $V_{CCB}$  are fully ramped and stable. The minimum value of the pullup resistor to  $V_{CCA}$  is determined by the current-sinking capability of the driver.

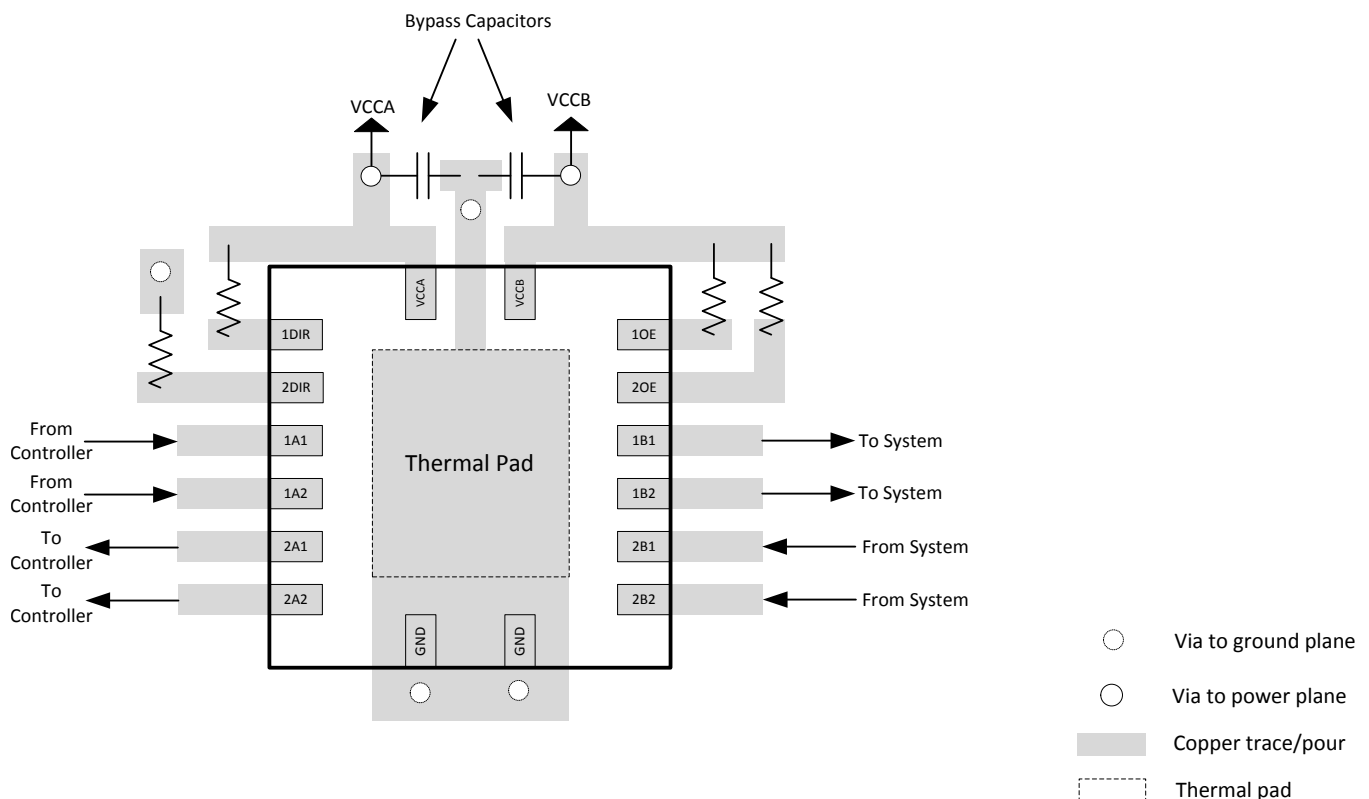
## 11 Layout

### 11.1 Layout Guidelines

To ensure reliability of the device, following common printed-circuit board layout guidelines is recommended.

- Bypass capacitors should be used on power supplies.
- Short trace lengths should be used to avoid excessive loading.
- Place pads on the signal paths for loading capacitors or pullup resistors to help adjust rise and fall times of signals, depending on the system requirements.

### 11.2 Layout Example



**Figure 16. SN74AVC4T245-Q1 RGY Package Layout Diagram**

## 12 Device and Documentation Support

### 12.1 Documentation Support

#### 12.1.1 Related Documentation

- *IC Package Thermal Metrics* application report ([SPRA953](#))
- *Implications of Slow or Floating CMOS Inputs* application report ([SCBA004](#))

The following links connect to TI community resources. Linked contents are provided "AS IS" by the respective contributors. They do not constitute TI specifications and do not necessarily reflect TI's views; see TI's [Terms of Use](#).

**TI E2E™ Online Community** *TI's Engineer-to-Engineer (E2E) Community*. Created to foster collaboration among engineers. At [e2e.ti.com](#), you can ask questions, share knowledge, explore ideas and help solve problems with fellow engineers.

**Design Support** *TI's Design Support* Quickly find helpful E2E forums along with design support tools and contact information for technical support.

### 12.2 Trademarks

E2E is a trademark of Texas Instruments.  
All other trademarks are the property of their respective owners.

### 12.3 Electrostatic Discharge Caution



These devices have limited built-in ESD protection. The leads should be shorted together or the device placed in conductive foam during storage or handling to prevent electrostatic damage to the MOS gates.

### 12.4 Glossary

[SLYZ022](#) — *TI Glossary*.

This glossary lists and explains terms, acronyms, and definitions.

## 13 Mechanical, Packaging, and Orderable Information

The following pages include mechanical, packaging, and orderable information. This information is the most-current data available for the designated device. This data is subject to change without notice and without revision of this document. For browser-based versions of this data sheet, see the left-hand navigation pane.

**PACKAGING INFORMATION**

Orderable Device	Status (1)	Package Type	Package Drawing	Pins	Package Qty	Eco Plan (2)	Lead/Ball Finish (6)	MSL Peak Temp (3)	Op Temp (°C)	Device Marking (4/5)	Samples
74AVC4T245QRGYRQ1	ACTIVE	VQFN	RGY	16	3000	Green (RoHS & no Sb/Br)	NIPDAU	Level-3-260C-168 HR	-40 to 125	4T245Q	<a href="#">Samples</a>

(1) The marketing status values are defined as follows:

**ACTIVE:** Product device recommended for new designs.

**LIFEBUY:** TI has announced that the device will be discontinued, and a lifetime-buy period is in effect.

**NRND:** Not recommended for new designs. Device is in production to support existing customers, but TI does not recommend using this part in a new design.

**PREVIEW:** Device has been announced but is not in production. Samples may or may not be available.

**OBSOLETE:** TI has discontinued the production of the device.

(2) **RoHS:** TI defines "RoHS" to mean semiconductor products that are compliant with the current EU RoHS requirements for all 10 RoHS substances, including the requirement that RoHS substance do not exceed 0.1% by weight in homogeneous materials. Where designed to be soldered at high temperatures, "RoHS" products are suitable for use in specified lead-free processes. TI may reference these types of products as "Pb-Free".

**RoHS Exempt:** TI defines "RoHS Exempt" to mean products that contain lead but are compliant with EU RoHS pursuant to a specific EU RoHS exemption.

**Green:** TI defines "Green" to mean the content of Chlorine (Cl) and Bromine (Br) based flame retardants meet JS709B low halogen requirements of <=1000ppm threshold. Antimony trioxide based flame retardants must also meet the <=1000ppm threshold requirement.

(3) MSL, Peak Temp. - The Moisture Sensitivity Level rating according to the JEDEC industry standard classifications, and peak solder temperature.

(4) There may be additional marking, which relates to the logo, the lot trace code information, or the environmental category on the device.

(5) Multiple Device Markings will be inside parentheses. Only one Device Marking contained in parentheses and separated by a "~" will appear on a device. If a line is indented then it is a continuation of the previous line and the two combined represent the entire Device Marking for that device.

(6) Lead/Ball Finish - Orderable Devices may have multiple material finish options. Finish options are separated by a vertical ruled line. Lead/Ball Finish values may wrap to two lines if the finish value exceeds the maximum column width.

**Important Information and Disclaimer:**The information provided on this page represents TI's knowledge and belief as of the date that it is provided. TI bases its knowledge and belief on information provided by third parties, and makes no representation or warranty as to the accuracy of such information. Efforts are underway to better integrate information from third parties. TI has taken and continues to take reasonable steps to provide representative and accurate information but may not have conducted destructive testing or chemical analysis on incoming materials and chemicals. TI and TI suppliers consider certain information to be proprietary, and thus CAS numbers and other limited information may not be available for release.

In no event shall TI's liability arising out of such information exceed the total purchase price of the TI part(s) at issue in this document sold by TI to Customer on an annual basis.

**OTHER QUALIFIED VERSIONS OF SN74AVC4T245-Q1 :**

- Catalog: [SN74AVC4T245](#)

NOTE: Qualified Version Definitions:

- Catalog - TI's standard catalog product

**TAPE AND REEL INFORMATION**

**QUADRANT ASSIGNMENTS FOR PIN 1 ORIENTATION IN TAPE**


\*All dimensions are nominal

Device	Package Type	Package Drawing	Pins	SPQ	Reel Diameter (mm)	Reel Width W1 (mm)	A0 (mm)	B0 (mm)	K0 (mm)	P1 (mm)	W (mm)	Pin1 Quadrant
74AVC4T245QRGYRQ1	VQFN	RGY	16	3000	330.0	12.4	3.8	4.3	1.5	8.0	12.0	Q1

**TAPE AND REEL BOX DIMENSIONS**


\*All dimensions are nominal

Device	Package Type	Package Drawing	Pins	SPQ	Length (mm)	Width (mm)	Height (mm)
74AVC4T245QRGYRQ1	VQFN	RGY	16	3000	367.0	367.0	35.0



RGY (R-PVQFN-N16)

PLASTIC QUAD FLATPACK NO-LEAD



- NOTES:
- A. All linear dimensions are in millimeters. Dimensioning and tolerancing per ASME Y14.5M-1994.
  - B. This drawing is subject to change without notice.
  - C. QFN (Quad Flatpack No-Lead) package configuration.
  - D. The package thermal pad must be soldered to the board for thermal and mechanical performance.
  - E. See the additional figure in the Product Data Sheet for details regarding the exposed thermal pad features and dimensions.
  - F. Pin 1 identifiers are located on both top and bottom of the package and within the zone indicated. The Pin 1 identifiers are either a molded, marked, or metal feature.
  - G. Package complies to JEDEC MO-241 variation BA.

RGY (R-PVQFN-N16)

PLASTIC QUAD FLATPACK NO-LEAD

**THERMAL INFORMATION**

This package incorporates an exposed thermal pad that is designed to be attached directly to an external heatsink. The thermal pad must be soldered directly to the printed circuit board (PCB). After soldering, the PCB can be used as a heatsink. In addition, through the use of thermal vias, the thermal pad can be attached directly to the appropriate copper plane shown in the electrical schematic for the device, or alternatively, can be attached to a special heatsink structure designed into the PCB. This design optimizes the heat transfer from the integrated circuit (IC).

For information on the Quad Flatpack No-Lead (QFN) package and its advantages, refer to Application Report, QFN/SON PCB Attachment, Texas Instruments Literature No. SLUA271. This document is available at [www.ti.com](http://www.ti.com).

The exposed thermal pad dimensions for this package are shown in the following illustration.



Bottom View

Exposed Thermal Pad Dimensions

4206353-3/P 03/14

NOTE: All linear dimensions are in millimeters

RGY (R-PVQFN-N16)

PLASTIC QUAD FLATPACK NO-LEAD



4208122-3/P 03/14

- NOTES:
- A. All linear dimensions are in millimeters.
  - B. This drawing is subject to change without notice.
  - C. Publication IPC-7351 is recommended for alternate designs.
  - D. This package is designed to be soldered to a thermal pad on the board. Refer to Application Note, Quad Flat-Pack QFN/SON PCB Attachment, Texas Instruments Literature No. SLUA271, and also the Product Data Sheets for specific thermal information, via requirements, and recommended board layout. These documents are available at [www.ti.com](http://www.ti.com) <<http://www.ti.com>>.
  - E. Laser cutting apertures with trapezoidal walls and also rounding corners will offer better paste release. Customers should contact their board assembly site for stencil design recommendations. Refer to IPC 7525 for stencil design considerations.
  - F. Customers should contact their board fabrication site for minimum solder mask web tolerances between signal pads.

## IMPORTANT NOTICE AND DISCLAIMER

TI PROVIDES TECHNICAL AND RELIABILITY DATA (INCLUDING DATASHEETS), DESIGN RESOURCES (INCLUDING REFERENCE DESIGNS), APPLICATION OR OTHER DESIGN ADVICE, WEB TOOLS, SAFETY INFORMATION, AND OTHER RESOURCES "AS IS" AND WITH ALL FAULTS, AND DISCLAIMS ALL WARRANTIES, EXPRESS AND IMPLIED, INCLUDING WITHOUT LIMITATION ANY IMPLIED WARRANTIES OF MERCHANTABILITY, FITNESS FOR A PARTICULAR PURPOSE OR NON-INFRINGEMENT OF THIRD PARTY INTELLECTUAL PROPERTY RIGHTS.

These resources are intended for skilled developers designing with TI products. You are solely responsible for (1) selecting the appropriate TI products for your application, (2) designing, validating and testing your application, and (3) ensuring your application meets applicable standards, and any other safety, security, or other requirements. These resources are subject to change without notice. TI grants you permission to use these resources only for development of an application that uses the TI products described in the resource. Other reproduction and display of these resources is prohibited. No license is granted to any other TI intellectual property right or to any third party intellectual property right. TI disclaims responsibility for, and you will fully indemnify TI and its representatives against, any claims, damages, costs, losses, and liabilities arising out of your use of these resources.

TI's products are provided subject to TI's Terms of Sale ([www.ti.com/legal/termsofsale.html](http://www.ti.com/legal/termsofsale.html)) or other applicable terms available either on [ti.com](http://ti.com) or provided in conjunction with such TI products. TI's provision of these resources does not expand or otherwise alter TI's applicable warranties or warranty disclaimers for TI products.

Mailing Address: Texas Instruments, Post Office Box 655303, Dallas, Texas 75265  
Copyright © 2020, Texas Instruments Incorporated