

PART NAME	UTILIBOX (STYLE A)	PART No.	CU-3286 & CU-3286-MB CUR-3286 & CUR-3286-MB CUR-3286-C & CUR-3286-CMB	REV. DATE	9-2-10
-----------	--------------------	----------	---	-----------	--------

**MATERIAL:**

**BODY AND STANDARD COVERS**

ABS THERMOPLASTIC (FLAMMABILITY RATING UL94-5VA)

**RECESSED COVERS (CUR-)**

ABS THERMOPLASTIC (FLAMMABILITY RATING UL94-5VA)

**CLEAR COVERS (-C)**

ABS THERMOPLASTIC (FLAMMABILITY RATING UL94V-2)

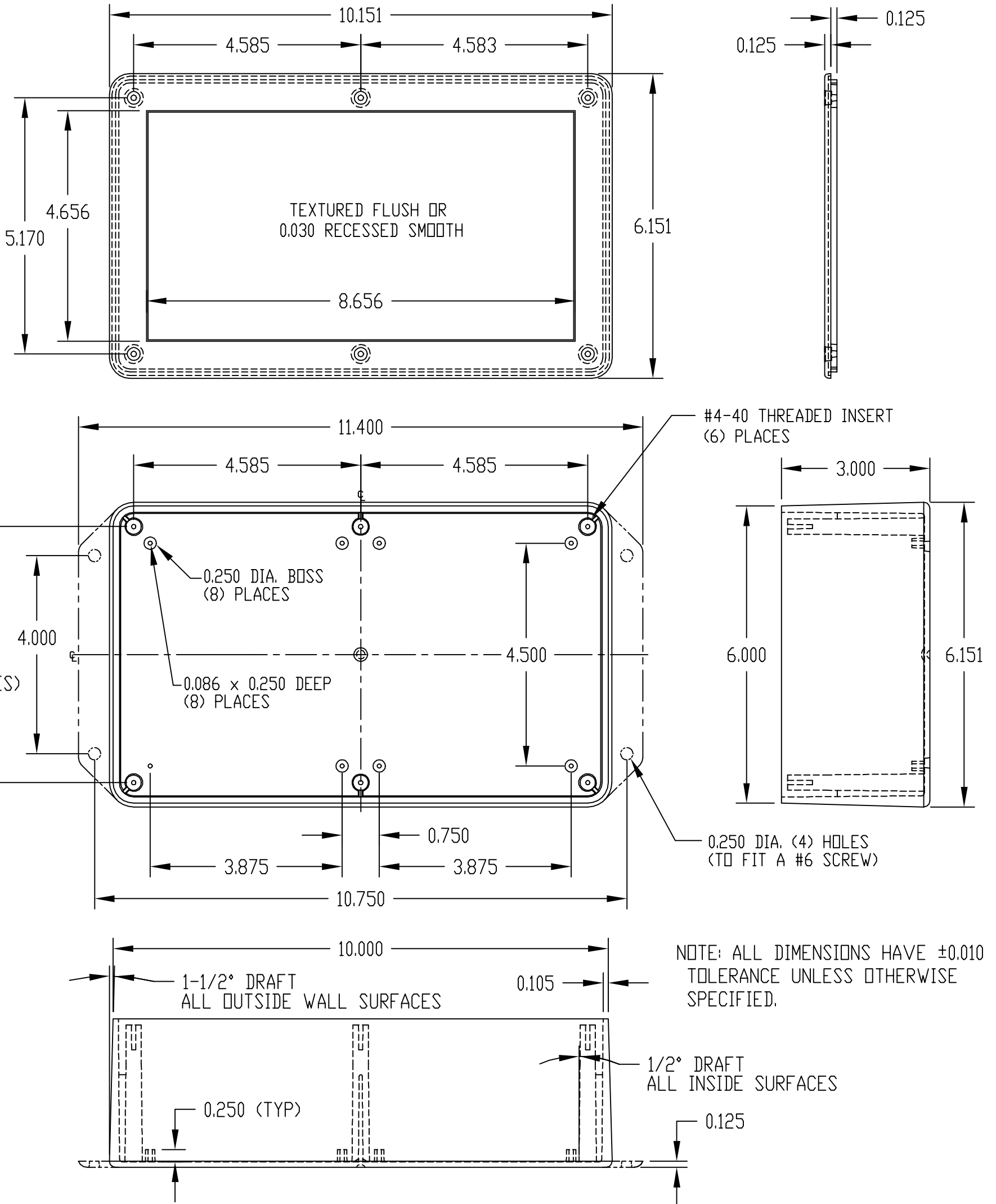
**FINISH**

BODY AND STANDARD COVERS ARE BLACK TEXTURED

RECESSED (CUR-) AND CLEAR COVERS (-C) ARE SMOOTH FINISH

SIX (6) #4-40 x 0.500" LG. SCREWS SUPPLIED FOR ASSEMBLING COVER TO BODY

MOUNTING BOSSES USE EITHER M2.5 METRIC OR #4 STD. SHEET METAL SCREWS x 0.250" LG. (NOT SUPPLIED)



PART No.	
CU-3286	TEXTURED FLUSH COVER LESS RECESS AND BODY WITHOUT MOUNTING FLANGE
CU-3286-MB	TEXTURED FLUSH COVER LESS RECESS AND BODY WITH MOUNTING FLANGE.
CUR-3286	COVER WITH SMOOTH 0.030 RECESS AND BODY WITHOUT MOUNTING FLANGE.
CUR-3286-MB	COVER WITH SMOOTH 0.030 RECESS AND BODY WITH MOUNTING FLANGE

# Mouser Electronics

Authorized Distributor

Click to View Pricing, Inventory, Delivery & Lifecycle Information:

[Bud Industries:](#)

[CUR-3286](#) [CU-3286-MB](#) [CU-3286](#) [CUR-3286-MB](#)