

THIS DRAWING IS UNPUBLISHED.
 QUESTO DISEGNO NON DEVE ESSERE DIVULGATO O RIPRODOTTO

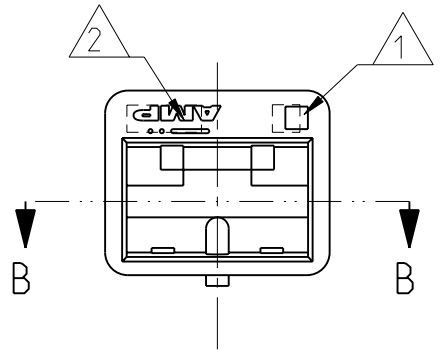
RELEASED FOR PUBLICATION
 E' CONSENTITA LA DIVULGAZIONE

2009

ALL RIGHTS RESERVED.
 TUTTI I DIRITTI SONO RISERVATI

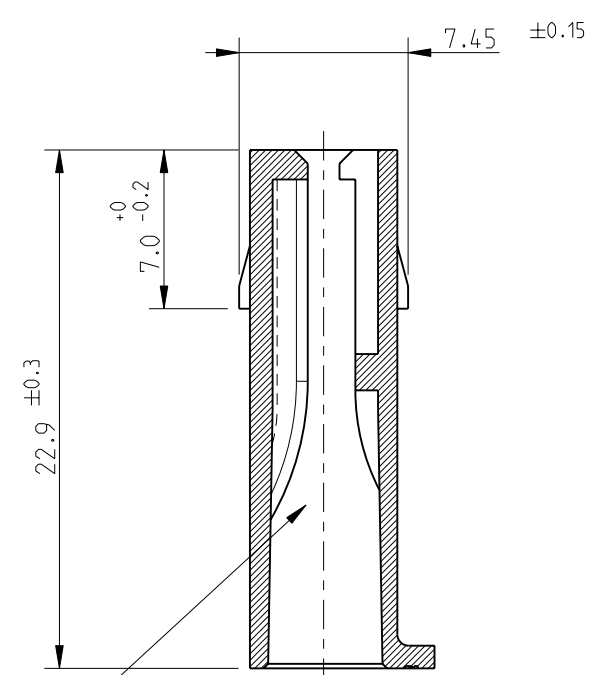
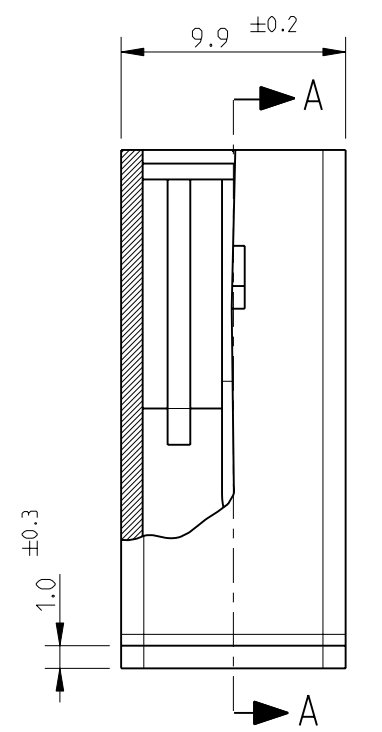
© COPYRIGHT 2009

LOC	DIST	REVISIONS					
		P	LTR	DESCRIPTION	DATE	DWN	APVD
1	-		AB2	ADDED P/N, ET00-0211-04	19/10/04	H.Y.	G.T.
			AB3	REVISED PER ECO-09-026346	26NOV09	KK	AEG
			AB4	ECR-10-022530	05FEB11	KK	HMR



SEZ. PARZIALE B-B
 PARTIAL SECT. B-B

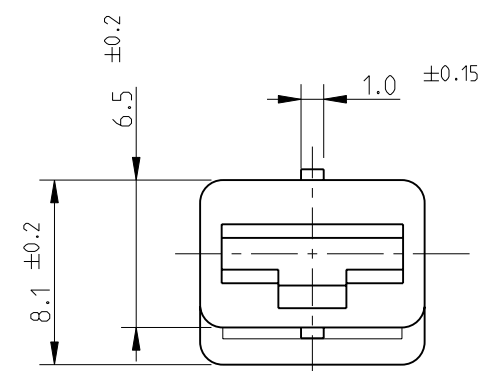
SEZ. A-A
 SECT. A-A



TIPICA CAVITA' PER TERMINALE AMP
 FASTIN-FASTON SR.6.35mm.
 (TYPICAL CAVITY FOR AMP
 FASTIN-FASTON .250 SR.)

- 1 NUMERO DI IMPRONTA STAMPO
(MOULD CAVITY IDENTIFICATION NO.)
- 2 MARCHIO DI FABBRICA AMP
(AMP TRADE MARK)
- 3 VERSIONE IN ACCORDO ALLA IEC 60695-2-11, IEC 60335-1 (GLOW WIRE)
(VERSION ACCORDING TO IEC 60695-2-11, IEC 60335-1, GLOW WIRE)
- 4 OBSOLETE PARTS: OBSOLETE CIS STREAMLINING PER D.RENAUD/D.SINISI

NOTE	COLORE (COLOUR)	MATERIALE (MATERIAL)	NUMERO (PART NUMBER)
	3 NATURALE (NATURAL)	PA6 UNFILLED	1-180905-0
4 OBSOLETE	ARANCIO (ORANGE)	PA 6.6 (PA 6.6 UNFILLED)	180905-9
	VIOLETTO (VIOLET)		180905-8
OBSOLETE	GRIGIO (GRAY)		180905-7
	MARRONE (BROWN)		180905-6
	NERO (BLACK)		180905-5
	BLU (BLUE)		180905-3
	VERDE (GREEN)		180905-2
	ROSSO (RED)		180905-1
	NATURALE (NATURAL)		180905-0



THIS DRAWING IS A CONTROLLED DOCUMENT.

DWN F.BORIN 22JUN98
 CHK C.TARTARI 22JUN98
 APVD -

PRODUCT SPEC 108-20020
 APPLICATION SPEC -

WEIGHT -

CUSTOMER DRAWING

DISEGNO PER CLIENTE SOLO PER RIFERIMENTO

SCALE 3:1

SHEET 1 OF 1

RESTRICTED TO -

REX AB4

STE TE Connectivity

NAME FASTIN-FASTON™ CONNECTOR .250 SRS. FEMALE HOUSING, 1 POS.

SIZE A3 CAGE CODE 00779 DRAWING NO. C-180905

Mouser Electronics

Authorized Distributor

Click to View Pricing, Inventory, Delivery & Lifecycle Information:

[TE Connectivity:](#)

[180905](#)