

UNCONTROLLED DOCUMENT

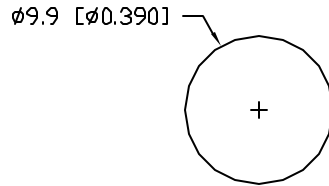
SC:0.50

PART NUMBER

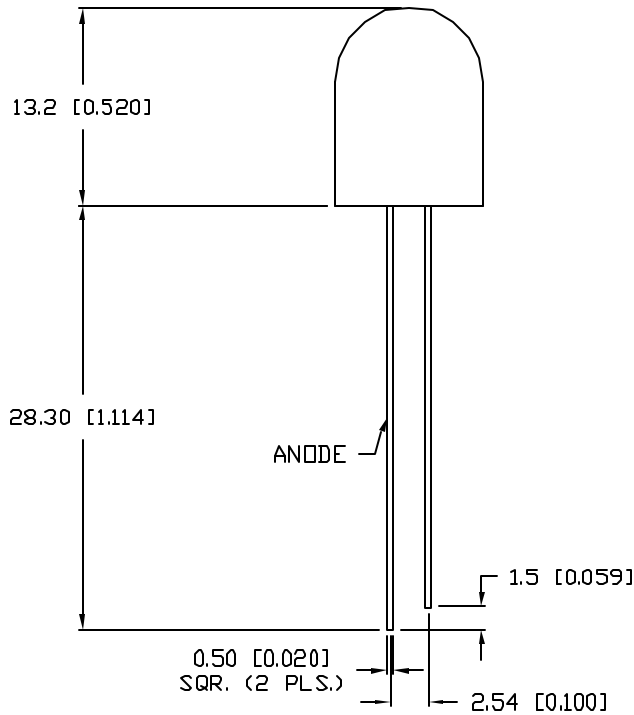
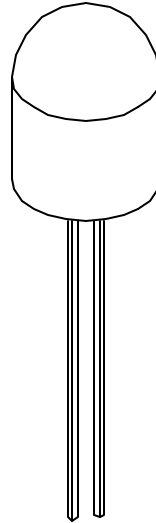
REV.

SSP-LX10013F3UWW

PRELIMINARY IN P/N DIR



CAUTION: STATIC SENSITIVE DEVICE  
FOLLOW PROPER E.S.D. HANDLING PROCEDURES  
WHEN WORKING WITH THIS PART.



ELECTRO-OPTICAL CHARACTERISTICS  $T_A=25^\circ\text{C}$

| PARAMETER          | SYMBOL               | MIN | TYP  | MAX | UNITS    | TEST COND           |
|--------------------|----------------------|-----|------|-----|----------|---------------------|
| PEAK WAVELENGTH    |                      |     | -    |     | nm       |                     |
| FORWARD VOLTAGE    | $V_f$                |     | 3.3  | 4.0 | V        | $I_f=20\text{mA}$   |
| REVERSE VOLTAGE    | $V_r$                | 5   |      |     | V        | $I_r=10\mu\text{A}$ |
| AXIAL INTENSITY    | $I_v$                |     | 3300 |     | md       | $I_f=20\text{mA}$   |
| VIEWING ANGLE      |                      |     | 60   |     | 2x theta |                     |
| EMITTED COLOR:     | WHITE                |     |      |     |          |                     |
| EPOXY LENS FINISH: | MILKY WHITE DIFFUSED |     |      |     |          |                     |

LIMITS OF SAFE OPERATION AT  $25^\circ\text{C}$

| PARAMETER             | SYMBOL    | MAX        | UNITS            |
|-----------------------|-----------|------------|------------------|
| PULSE FORWARD CURRENT | $I_p$     | 100*       | mA               |
| STEADY CURRENT        | $I_F$     | 30         | mA               |
| POWER DISSIPATION     | $P_D$     | 120        | mW               |
| OPERATING TEMP.       | $T_{OPR}$ | -40 TO +85 | $^\circ\text{C}$ |
| STORAGE TEMP.         | $T_{STC}$ | -40 TO +85 | $^\circ\text{C}$ |
| SOLDERING TEMP.       |           | +260       | $^\circ\text{C}$ |
| 2.0mm FROM BODY       |           |            | 3 SEC. MAX       |

\*DUTY 1/10 PULSE WIDTH 10ms

\*UNLESS OTHERWISE SPECIFIED TOLERANCES PER DECIMAL PRECISION ARE: X=±1 (±0.039), X.X=±0.5 (±0.020), X.XX=±0.25 (±0.010), X.XXX=±0.127 (±0.005), LEAD SIZE=±0.05 (±0.002), LEAD LENGTH=±0.75 (±0.030), MIN= <sup>+0.00</sup> <sub>-0.00</sub> DECIMAL PRECISION MAX.= <sup>+0.00</sup> <sub>-0.00</sub> DECIMAL PRECISION

UNCONTROLLED DOCUMENT

REV.

PART NUMBER

SSP-LX10013F3UWW

CONFIDENTIAL INFORMATION

THE INFORMATION CONTAINED IN THIS DOCUMENT IS THE PROPERTY OF SUNBRITE LEDS. EXCEPT AS SPECIFICALLY AUTHORIZED IN WRITING BY SUNBRITE LEDS, THE HOLDER OF THIS DOCUMENT SHALL KEEP ALL INFORMATION CONTAINED HEREIN CONFIDENTIAL AND SHALL PROTECT SAME IN WHOLE OR IN PART FROM DISCLOSURE AND DISSEMINATION TO ALL THIRD PARTIES.

RELIABILITY NOTE

DUR MANY YEARS OF EXPERIENCE DATA ACCUMULATION INDICATE THAT SOLDER HEAT IS A MAJOR CAUSE OF EARLY AND FUTURE FAILURE. PLEASE PAY ATTENTION TO YOUR SOLDERING PROCESS.



286 E. HELEN ROAD  
PALATINE, IL 60067-6976  
PHONE: +1.847.348.3116  
FAX: +1.847.359.2867  
WEB: www.sunbriteleds.com

DRAWN:

CHECKED:

APPROVED:

DATE: 10.6.03

CT

PAGE: 1 OF 1

10mm FLANGELESS LED,

ULTRA WHITE LED, MILKY WHITE DIFFUSED LENS.

# Mouser Electronics

Authorized Distributor

Click to View Pricing, Inventory, Delivery & Lifecycle Information:

Lumex:

[SSP-LX10013F3UWW](#)