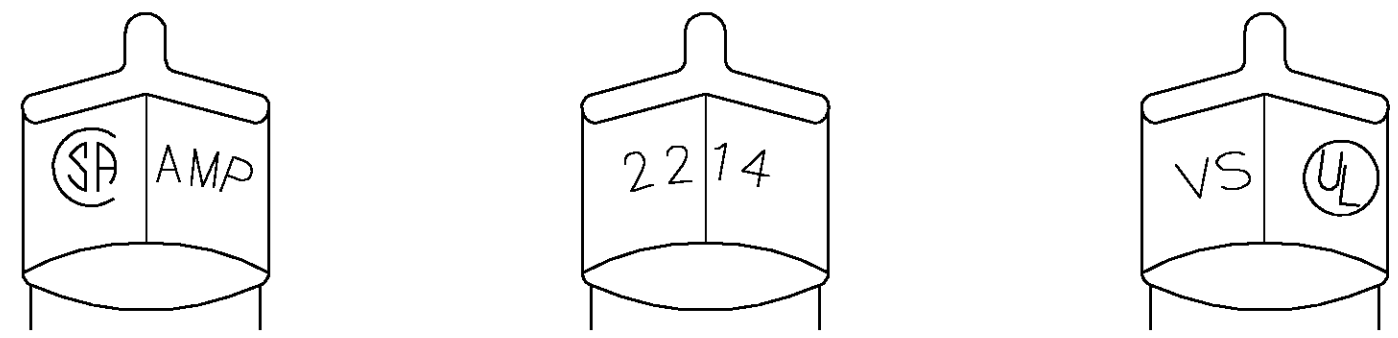


THIS DRAWING IS UNPUBLISHED. RELEASED FOR PUBLICATION
 © COPYRIGHT BY TYCO ELECTRONICS CORPORATION. ALL RIGHTS RESERVED.

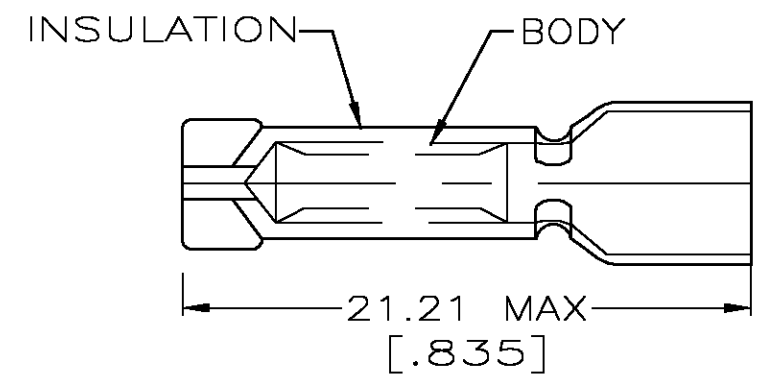
| LOC | DIST | REVISIONS | | | | | |
|-----|------|-----------|-----|----------------------|---------|-----|------|
| | | P | LTR | DESCRIPTION | DATE | DWN | APVD |
| G | 14 | | M | REV PER 0G3A-0256-04 | 13APR04 | JR | TM |

- 1 FOR 4.75 [.187] MAX WIRE INSULATION DIA
- △ 2 SUPERSEDED BY 36964
- △ 3 MATERIAL: BODY; COPPER PER ASTM B152
INSULATION; PVC
COLOR; PURPLE
- △ 4 FINISH: BODY; TIN PLATE PER ASTM B-545



STAMPING DETAIL

| | | |
|--------------------------------|--------------------------------|--------------------------------|
| AMP WIRE RANGE | Listed | LR7189 Certified |
| 22-14 AWG SOLID OR STRANDED | 22-14 AWG SOLID OR STRANDED | 22-14 AWG SOLID OR STRANDED |



| QTY | DESCRIPTION | PART NO |
|-------|--------------|---------------|
| 100 | LOOSE PC,BOX | 8-36964-1 |
| 20000 | BOX | △ 2 2-36964-5 |
| 2500 | TAPE MOUNTED | 2-36964-2 |
| - | LOOSE PIECE | 36964 |

| | | | | | | | | | | |
|--|--|---|--|---|----------------------|---|------|-----------|------------|---------------|
| AMP INCORPORATED CUSTOMER SERVICE SYSTEMS | | MAX RECOMMENDED OPERATING TEMPERATURE: 90° C MAX | THIS DRAWING IS A CONTROLLED DOCUMENT. | | DWN G KRUPER 1/93 | Tyco Electronics Corporation Harrisburg, Pa 17105-3608 | | | | |
| FOR ADDITIONAL PRODUCT INFORMATION OR COPIES OF DRAWINGS AND TECHNICAL DOCUMENTS | PRODUCT INFORMATION CENTER 1-800-522-6752 | VOLTAGE RATING: 300V MAX | DIMENSIONS: INCHES | TOLERANCES UNLESS OTHERWISE SPECIFIED: | CHK R HERSEY 1/93 | NAME SPLICE, WIRE, CLOSED END | | | | |
| FOR APPLICATION TOOLING INFORMATION | TOOLING ASSISTANCE CENTER 1-800-722-1111 | CIRCULAR MIL AREA: 0.26-2.62mm² [509-5180] SOLID OR STRANDED | | 0 PLC ± - 1 PLC ± - 2 PLC ± 0.20 [.008] 3 PLC ± - 4 PLC ± - ANGLES ± - | APVD M ELLIS 1/93 | APPLICATION SPEC | SIZE | CAGE CODE | DRAWING NO | RESTRICTED TO |
| FOR ORDER ENTRY | 1-800-526-5142 | THIS DRAWING IS A CONTROLLED DOCUMENT FOR AMP INCORPORATED. IT IS SUBJECT TO CHANGE AND THE CONTROLLING ENGINEERING ORGANIZATION SHOULD BE CONTACTED FOR THE LATEST REVISION. | MATERIAL - △ 3 | FINISH - △ 4 | PRODUCT SPEC | WEIGHT | A3 | 00779 | C-36964 | - |
| CUSTOMER DRAWING | | | | | | SCALE | 4:1 | SHEET | 1 OF 1 | REV M |

Mouser Electronics

Authorized Distributor

Click to View Pricing, Inventory, Delivery & Lifecycle Information:

[TE Connectivity:](#)

[2-36964-2](#)