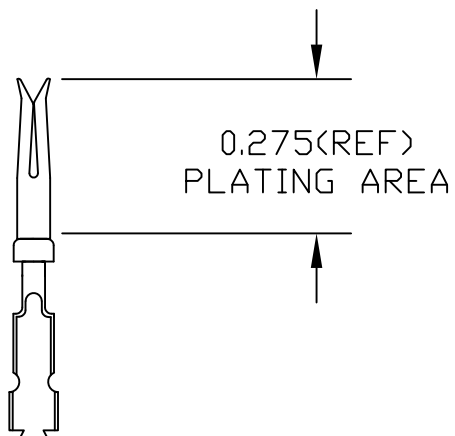


MATERIAL: BRASS

WIRE SIZE: 24-28 AWG

GOLD PLATING THICKNESS IS BETWEEN 1u" AND 1.5u"

NOTE #1: CONTACTS SUPPLIED ON 500 PC BAGS.
 NOTE #2: RECOMMENDED MAX. INSULATION DIAMETER FOR 24-28 IS 0.035".



WIRE SIZE

PLATING:	WIRE SIZE
GOLD FLASH ON MATING AREA NICKEL ON WIRE CRIMP	24-28 170-102-170L001
.000010" GOLD OVER .000050" NICKEL ENTIRE CONTACT	170-102-170L002
.000030" GOLD OVER .0001000" NICKEL ENTIRE CONTACT	170-102-170L003

RoHS COMPLIANT

UNITS = inch

DO NOT SCALE FROM DRAWING



THESE DRAWINGS AND SPECIFICATIONS ARE THE PROPERTY OF NorComp AND SHALL NOT BE REPRODUCED, COPIED OR USED AS THE BASIS FOR THE MANUFACTURE OR SALE OF APPARATUS WITHOUT WRITTEN PERMISSION.

DRAWN:
PAM JENKINS
DATE:
05/28/2002

NorComp

SCALE: NTS	SHEET 1	OF 1	REV 4
DWG NO.		170-102-170L00Y	

Mouser Electronics

Authorized Distributor

Click to View Pricing, Inventory, Delivery & Lifecycle Information:

[NorComp:](#)

[170-102-170L001](#) [170-102-170L002](#)