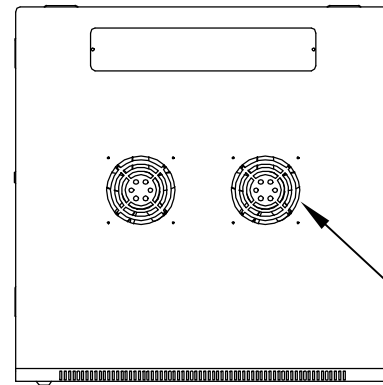


PART NAME	VISIONCAB	PART No.	VC-9920 to VC-9924	VC-9930 to VC-9934	REV. DATE	5-26-10
-----------	-----------	----------	--------------------	--------------------	-----------	---------

PANEL MOUNTING RAILS HAVE 0.350 [8.89] SQUARE HOLES ON E.I.A. UNIVERSAL HOLE SPACING

SUPPLIED HARDWARE KIT TO INCLUDE:  
 QTY. (25) M6x1.0 PITCH CAGE NUT  
 QTY. (25) M6x1.0 PITCH PAN HEAD SCREW  
 QTY. (25) NYLON FLAT WASHER  
 QTY. (4) RUBBER FEET  
 QTY. (6) KEYS

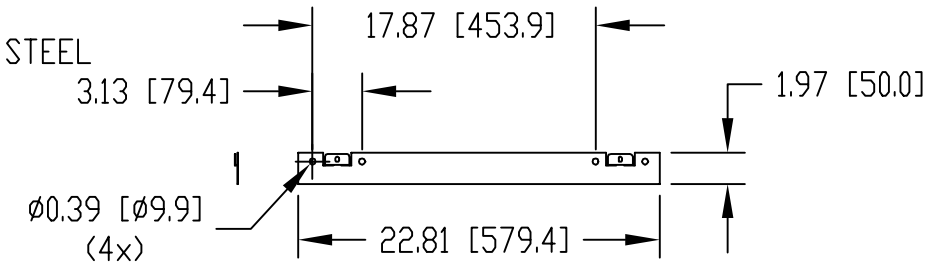


TOP VIEW

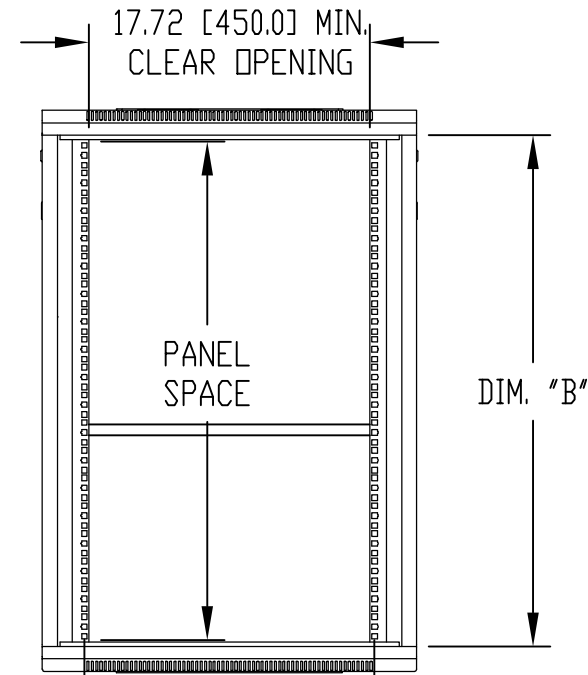
MATERIAL:  
 PANEL MOUNTING RAILS - 14 GA. [2.0mm] STEEL  
 SHELF & WALL MOUNTING BRACKET - 18 GA. [1.2mm] STEEL  
 ALL OTHER PARTS - 18 GA. [1.2mm] STEEL

FINISH:  
 FINE TEXTURED BLACK POWDER COATING

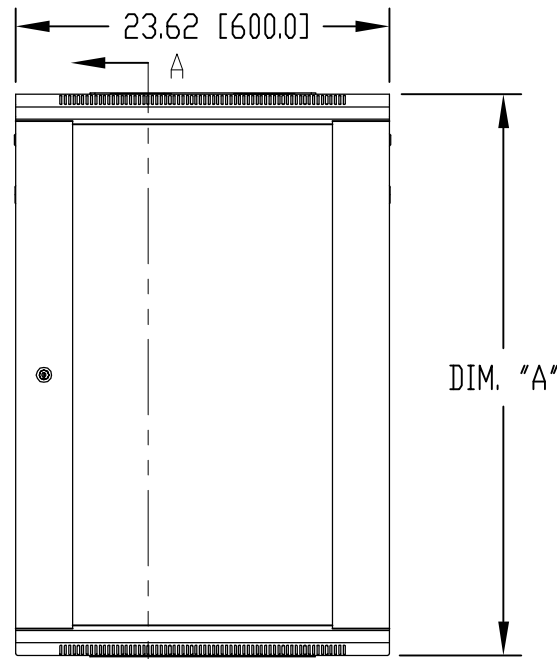
QTY. ("F")  
 110 VAC, 65 CFM FAN(S)



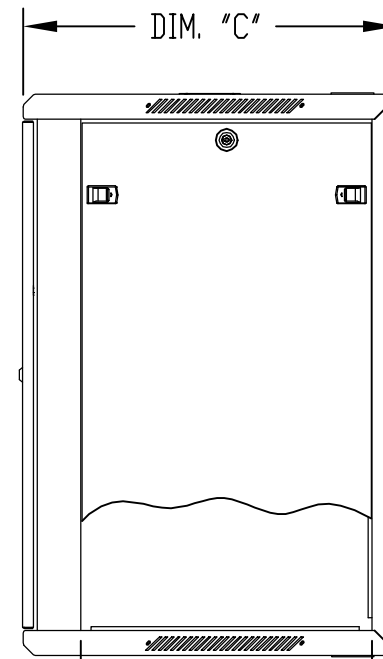
BRACKET DETAIL



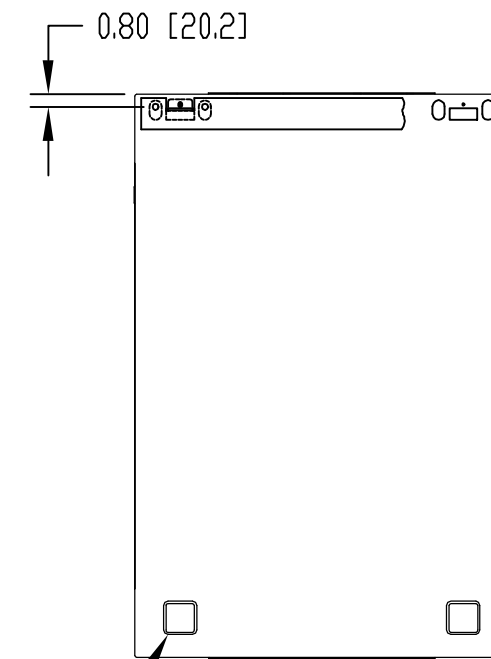
FRONT VIEW (DOOR REMOVED)



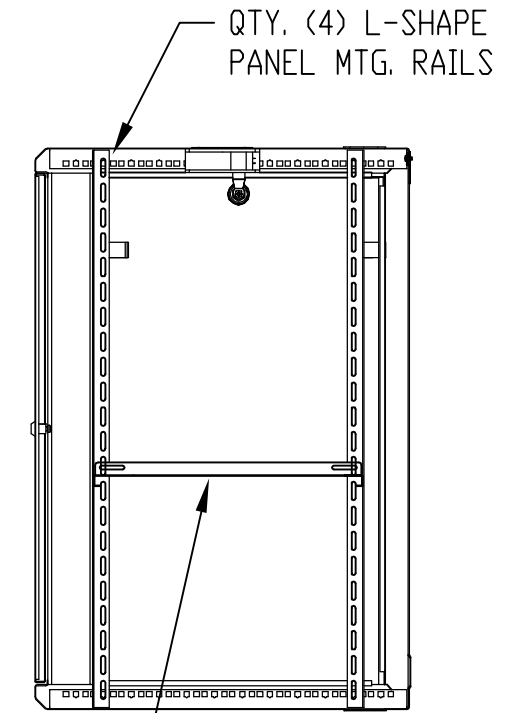
FRONT VIEW



RIGHT SIDE VIEW

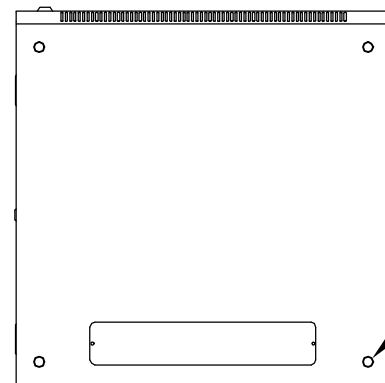


BACK VIEW



SECTION A-A

QTY. (1) VENTILATED FIXED SHELF (FOR PART NUMBER - SEE CHART)



BOTTOM VIEW

MOUNTING HOLE FOR RUBBER FOOT

PART NO.	UNIT	PANEL SPACE	DIM. "A"	DIM. "B"	DIM. "C"	DIM. "D"	DIM. "E"	QTY. "F"	SHELF P/N
VC-9920	6U	10.50 [266.7]	14.49 [368.0]	11.35 [288.2]	17.72 [450.0]	12.48 [317.0]	11.21 [284.8]	(1)	SH-12704
VC-9921	9U	15.75 [400.1]	19.69 [500.0]	16.54 [420.2]	17.72 [450.0]	12.48 [317.0]	11.21 [284.8]	(1)	SH-12704
VC-9922	12U	21.00 [533.4]	25.00 [635.0]	21.86 [555.2]	17.72 [450.0]	12.48 [317.0]	11.21 [284.8]	(2)	SH-12704
VC-9923	15U	26.25 [666.8]	30.28 [769.0]	27.13 [689.2]	17.72 [450.0]	12.48 [317.0]	11.21 [284.8]	(2)	SH-12704
VC-9924	18U	31.50 [800.1]	35.43 [900.0]	32.29 [820.2]	17.72 [450.0]	12.48 [317.0]	11.21 [284.8]	(2)	SH-12704
VC-9930	6U	10.50 [266.7]	14.49 [368.0]	11.35 [288.2]	23.62 [600.0]	18.39 [467.0]	17.12 [434.8]	(1)	SH-12705
VC-9931	9U	15.75 [400.1]	19.69 [500.0]	16.54 [420.2]	23.62 [600.0]	18.39 [467.0]	17.12 [434.8]	(1)	SH-12705
VC-9932	12U	21.00 [533.4]	25.00 [635.0]	21.86 [555.2]	23.62 [600.0]	18.39 [467.0]	17.12 [434.8]	(2)	SH-12705
VC-9933	15U	26.25 [666.8]	30.28 [769.0]	27.13 [689.2]	23.62 [600.0]	18.39 [467.0]	17.12 [434.8]	(2)	SH-12705
VC-9934	18U	31.50 [800.1]	35.43 [900.0]	32.29 [820.2]	23.62 [600.0]	18.39 [467.0]	17.12 [434.8]	(2)	SH-12705

# Mouser Electronics

Authorized Distributor

Click to View Pricing, Inventory, Delivery & Lifecycle Information:

## Bud Industries:

[VC-9924](#) [VC-9923](#) [VC-9921](#) [VC-9922](#) [VC-9920](#) [VC-9930-B](#) [VC-9931-B](#) [VC-9932-B](#) [VC-9933-B](#) [VC-9934-B](#)