

Signal lamps with integrated LED - 5 mm, round flush lens, 24 - 28 V**1.69.508.876/1402**

Long terminal is anode.

**General information**

Form of lens	round flat
Color of lens	transparent yellow
Diameter of collar	5.8 mm

Dimensions

Overall height	1 mm
Mounting depth	18 mm
Mounting hole	5 mm

Mechanical design

Mounting	pressing into hole
Terminals	solder terminals
Lamp socket	no
Lamp	LED yellow

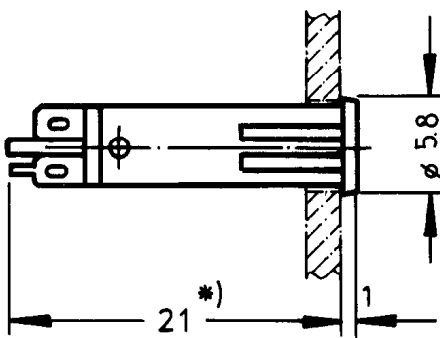
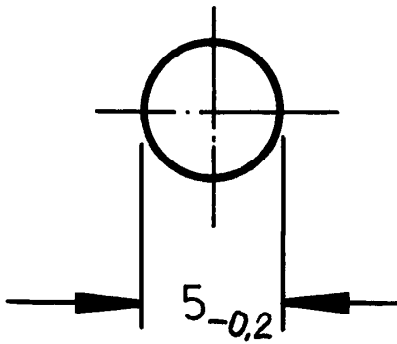
Electrical characteristics

Operating voltage U_B	24 - 28 V
Integrated currency resistor	yes
Forward voltage U_F at 25 °C	at 10 mA forward current 2.2 V
Reverse voltage U_R at 25 °C	3 V
Forward current, I_F at 25 °C	8 - 12 mA
Reverse current I_R at 25 °C	100 μ A
Power dissipation P_{tot} at 25 °C	max. 120 mW

Other specifications

Degree of protection from front side	IP40 (DIN EN 60529)
Weight	0.35 g
ROHS compliant	yes
REACH compliant	yes

Mounting hole



Mouser Electronics

Authorized Distributor

Click to View Pricing, Inventory, Delivery & Lifecycle Information:

[RAFI:](#)

[1.69.508.876/1402](#)