



## Features

- Thick film
- High voltage
- Wide resistance range
- RoHS compliant\*
- UL/IEC 60950 & 60065 compatible
-  UL 1676 recognized

## Applications

- High voltage applications
- Consumer electronics

# CHV Series - Thick Film High Voltage Chip Resistors

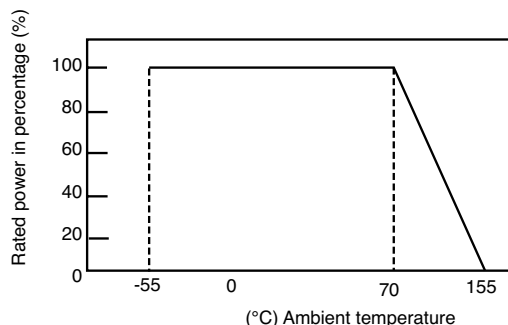
## Electrical Characteristics

Specification	Model				
	CHV0603	CHV0805	CHV1206	CHV2010	CHV2512
Power Rating @ 70 °C	0.1 W	0.125 W	0.25 W	0.5 W	1.0 W
Operating Temperature Range	-55 °C to +155 °C				
Maximum Working Voltage	200 V	400 V	800 V	2000 V	3000 V
Maximum Overload Voltage	400 V	800 V	1600 V	3000 V	4000 V
Resistance Range	1 % E-96 + E-24	100 kΩ ~ 10 MΩ			
	5 % E-24	100 kΩ ~ 22 MΩ	100 kΩ ~ 100 MΩ		
Temperature Coefficient	1 %	±100 PPM/°C			
	5 %	±200 PPM/°C			

## Environmental Characteristics

Test	Conditions	Specification
Short Time Overload	2 times rated voltage or max overload voltage for 5 seconds	$\Delta R \leq \pm (1 \% + 0.1 \Omega)$
Solderability	+245 ±5 °C for 3 ± 0.5 seconds	Over 95 % coverage
Resistance to Solder Heat	+260 ±5 °C for 10 ±1 seconds	$\Delta R \leq \pm (1 \% + 0.1 \Omega)$
Load Life Humidity	+40 ±2 °C, 90~95 % 1.5 hours ON, 0.5 hours OFF for 1000 hours at rated power	$\Delta R \leq \pm (5 \% + 0.1 \Omega)$
Load Life	+70 °C 1.5 hours ON, 0.5 hours OFF for 1000 hours at rated power	$\Delta R \leq \pm (5 \% + 0.1 \Omega)$
Temperature Cycle	-55 °C (30 minutes), +25 °C (2~3 minutes), +155 °C (30 minutes), +25 °C (2~3 minutes) for five cycles	$\Delta R \leq \pm (5 \% + 0.05 \Omega)$
Voltage Coefficient of Resistance (VCR)	Max. Test Voltage: 500 V VL: 10 % RCWV or Max. RCWV VH: 100 % RCWV or Max. RCWV	R ≤ 1 MΩ: ±100 ppm/V 1 MΩ < R < 10 MΩ: ±200 ppm/V R ≥ 10 MΩ: ±300 ppm/V

## Derating Curve



## Agency Recognition

Description	
UL1676	File Number: E466353

## How to Order

### CHV 2512 - F X - 1000 E LF

Model	_____	(CHV = Thick Film High Voltage Chip Resistor)
Size	_____	<ul style="list-style-type: none"> <li>• 0603 • 2010</li> <li>• 0805 • 2512</li> <li>• 1206</li> </ul>
Resistance Tolerance	_____	F = ±1 % (Use with "X" TCR Code) J = ±5 % (Use with "W" TCR Code)
TCR	_____	X = ±100 PPM/°C W = ±200 PPM/°C
Resistance Value	_____	<b>1 % Tolerance:</b> First three digits are significant, fourth digit represents the number of zeroes to follow <b>5 % Tolerance:</b> First two digits are significant, third digit represents the number of zeroes to follow
Packaging	_____	E = Paper tape: <ul style="list-style-type: none"> <li>• 5,000 pcs. on 7 " plastic reel (CHV0603, CHV0805, CHV1206)</li> <li>• 4,000 pcs. on 7 " plastic reel (CHV2010, CHV2512)</li> </ul>
Termination	_____	LF = Tin-plated (RoHS compliant)

\* RoHS Directive 2002/95/EC Jan. 27, 2003 including annex and RoHS Recast 2011/65/EU June 8, 2011.

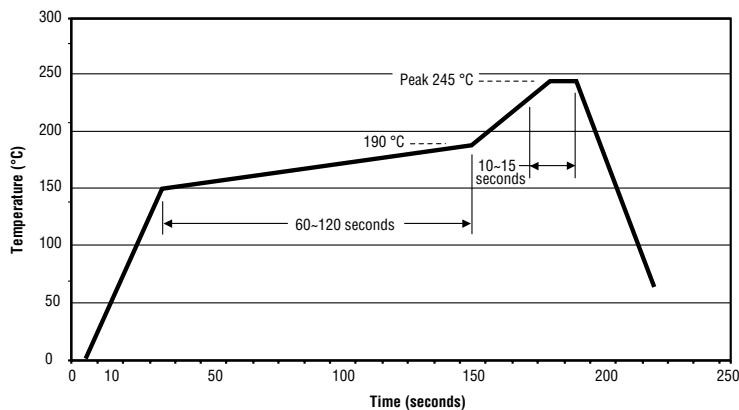
\*\*Bourns® products have not been specifically designed and tested for FDA Class III applications and their use in such applications is neither recommended nor supported. Specifications are subject to change without notice.

The device characteristics and parameters in this data sheet can and do vary in different applications and actual device performance may vary over time. Users should verify actual device performance in their specific applications.

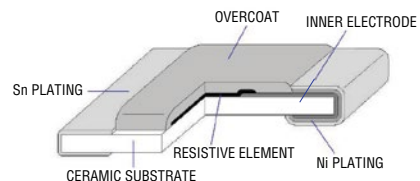
# CHV Series - Thick Film High Voltage Chip Resistors

**BOURNS®**

## Soldering Profile

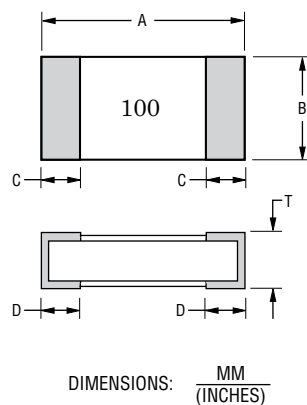


## Construction



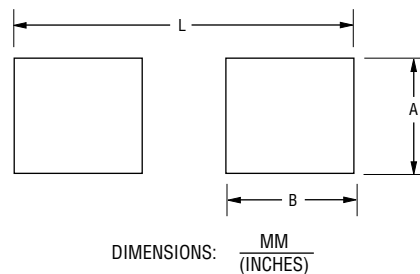
## Product Dimensions

Dim.	Model				
	CHV0603	CHV0805	CHV1206	CHV2010	CHV2512
A	$\frac{1.60 \pm 0.10}{(0.063 \pm 0.004)}$	$\frac{2.00 \pm 0.10}{(0.079 \pm 0.004)}$	$\frac{3.10 \pm 0.10}{(0.122 \pm 0.004)}$	$\frac{5.00 \pm 0.20}{(0.197 \pm 0.008)}$	$\frac{6.40 \pm 0.20}{(0.252 \pm 0.008)}$
B	$\frac{0.80 \pm 0.10}{(0.031 \pm 0.004)}$	$\frac{1.25 \pm 0.10}{(0.049 \pm 0.004)}$	$\frac{1.60 \pm 0.10}{(0.063 \pm 0.004)}$	$\frac{2.50 \pm 0.20}{(0.098 \pm 0.008)}$	$\frac{3.20 \pm 0.20}{(0.126 \pm 0.008)}$
C	$\frac{0.30 \pm 0.20}{(0.012 \pm 0.008)}$	$\frac{0.40 \pm 0.20}{(0.016 \pm 0.008)}$	$\frac{0.50 \pm 0.20}{(0.020 \pm 0.008)}$	$\frac{0.65 \pm 0.25}{(0.026 \pm 0.010)}$	$\frac{0.65 \pm 0.25}{(0.026 \pm 0.010)}$
D	$\frac{0.30 \pm 0.20}{(0.012 \pm 0.008)}$	$\frac{0.40 \pm 0.20}{(0.016 \pm 0.008)}$	$\frac{0.50 \pm 0.20}{(0.020 \pm 0.008)}$	$\frac{0.60 \pm 0.25}{(0.024 \pm 0.010)}$	$\frac{0.90 \pm 0.25}{(0.035 \pm 0.010)}$
T	$\frac{0.45 \pm 0.10}{(0.018 \pm 0.004)}$	$\frac{0.50 \pm 0.10}{(0.020 \pm 0.004)}$	$\frac{0.55 \pm 0.10}{(0.022 \pm 0.004)}$	$\frac{0.60 \pm 0.10}{(0.024 \pm 0.004)}$	$\frac{0.60 \pm 0.15}{(0.024 \pm 0.006)}$



## Recommended Land Pattern

Dim.	Model				
	CHV0603	CHV0805	CHV1206	CHV2010	CHV2512
A	$\frac{0.90}{(0.035)}$	$\frac{1.30}{(0.051)}$	$\frac{1.80}{(0.071)}$	$\frac{3.00}{(0.118)}$	$\frac{3.70}{(0.146)}$
B	$\frac{1.00}{(0.039)}$	$\frac{1.15}{(0.045)}$	$\frac{1.30}{(0.051)}$	$\frac{1.50}{(0.059)}$	$\frac{1.60}{(0.063)}$
L	$\frac{3.00}{(0.118)}$	$\frac{3.50}{(0.138)}$	$\frac{4.70}{(0.185)}$	$\frac{6.80}{(0.268)}$	$\frac{7.60}{(0.299)}$



Specifications are subject to change without notice.  
The device characteristics and parameters in this data sheet can and do vary in different applications and actual device performance may vary over time.  
Users should verify actual device performance in their specific applications.

# CHV Series - Thick Film High Voltage Chip Resistors

**BOURNS®**

## Resistor Markings

CHV0603  
CHV0805  
CHV1206  
CHV2010  
CHV2512

CHV0805  
CHV1206  
CHV2010  
CHV2512

CHV0603

CHV0603



3-Digit  
E-24  $\pm 5\%$  Marking

4-Digit  
E-96/E-24 Marking

3-Digit  
E-24  $\pm 1\%$  Marking

3-Digit  
E-96  $\pm 1\%$  Marking

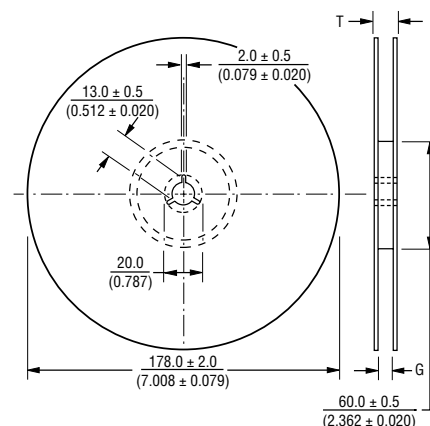
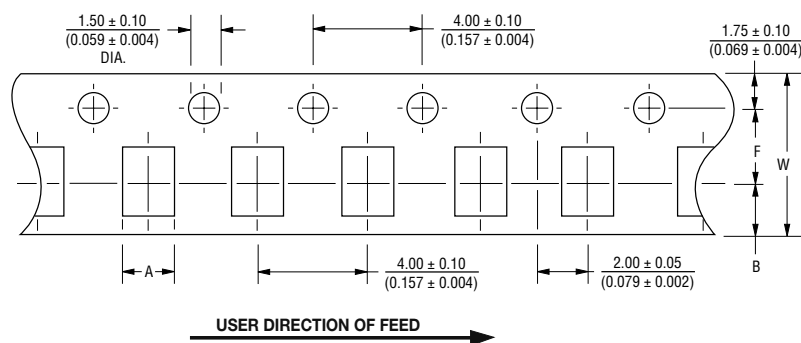
$30 \times 10^1$   
Value = 300 ohms

$154 \times 10^2$   
Value = 15.4K ohms

$222 \times 10^2$   
Value = 2.2K ohms

$10 \times 10^0$   
Value = 10 ohms

## Packaging Dimensions - Tape



DIMENSIONS:  $\frac{\text{MM}}{\text{(INCHES)}}$

Dim.	Model				
	CHV0603	CHV0805	CHV1206	CHV2010	CHV2512
A	$\frac{1.10 \pm 0.20}{(0.043 \pm 0.008)}$	$\frac{1.60 \pm 0.20}{(0.063 \pm 0.008)}$	$\frac{2.00 \pm 0.20}{(0.079 \pm 0.008)}$	$\frac{2.80 \pm 0.20}{(0.110 \pm 0.008)}$	$\frac{3.50 \pm 0.20}{(0.138 \pm 0.008)}$
B	$\frac{1.90 \pm 0.30}{(0.075 \pm 0.012)}$	$\frac{2.40 \pm 0.30}{(0.094 \pm 0.012)}$	$\frac{3.57 \pm 0.30}{(0.141 \pm 0.012)}$	$\frac{5.50 \pm 0.30}{(0.217 \pm 0.012)}$	$\frac{6.70 \pm 0.30}{(0.264 \pm 0.012)}$
W	$\frac{8.00 \pm 0.05}{(0.315 \pm 0.002)}$	$\frac{8.00 \pm 0.05}{(0.315 \pm 0.002)}$	$\frac{8.00 \pm 0.05}{(0.315 \pm 0.002)}$	$\frac{12.00 \pm 0.05}{(0.472 \pm 0.002)}$	$\frac{12.00 \pm 0.05}{(0.472 \pm 0.002)}$
F	$\frac{3.50 \pm 0.05}{(0.138 \pm 0.002)}$	$\frac{3.50 \pm 0.05}{(0.138 \pm 0.002)}$	$\frac{3.50 \pm 0.05}{(0.138 \pm 0.002)}$	$\frac{5.50 \pm 0.05}{(0.217 \pm 0.002)}$	$\frac{5.50 \pm 0.05}{(0.217 \pm 0.002)}$
G	$\frac{10.0 \pm 1.5}{(0.394 \pm 0.059)}$	$\frac{10.0 \pm 1.5}{(0.394 \pm 0.059)}$	$\frac{10.0 \pm 1.5}{(0.394 \pm 0.059)}$	$\frac{13.8 \pm 1.5}{(0.543 \pm 0.059)}$	$\frac{13.8 \pm 1.5}{(0.543 \pm 0.059)}$
T	$\frac{14.9}{(0.587)}$	$\frac{14.9}{(0.587)}$	$\frac{14.9}{(0.587)}$	$\frac{16.7}{(0.657)}$	$\frac{16.7}{(0.657)}$

**BOURNS®**

**Asia-Pacific:**  
Tel: +886-2 2562-4117  
Email: asiacus@bourns.com

**Europe:**  
Tel: +36 88 520 390  
Email: eurocus@bourns.com

**The Americas:**  
Tel: +1-951 781-5500  
Email: americus@bourns.com  
[www.bourns.com](http://www.bourns.com)

REV. 06/17

Specifications are subject to change without notice.  
The device characteristics and parameters in this data sheet can and do vary in different applications and actual device performance may vary over time.  
Users should verify actual device performance in their specific applications.

# Mouser Electronics

Authorized Distributor

Click to View Pricing, Inventory, Delivery & Lifecycle Information:

## Bourns:

[CHV2010-JW-475ELF](#) [CHV2010-FX-2203ELF](#) [CHV2010-FX-1003ELF](#) [CHV2010-JW-104ELF](#) [CHV2010-JW-516ELF](#)  
[CHV2010-FX-3304ELF](#) [CHV2010-FX-1005ELF](#) [CHV2512-FX-2203ELF](#) [CHV1206-FX-1004ELF](#) [CHV2512-FX-](#)  
[2204ELF](#) [CHV2512-FX-1004ELF](#) [CHV0805-JW-334ELF](#) [CHV0805-FX-1804ELF](#) [CHV1206-JW-106ELF](#) [CHV1206-](#)  
[FX-4993ELF](#) [CHV1206-JW-224ELF](#) [CHV2512-FX-1003ELF](#) [CHV0805-FX-2203ELF](#) [CHV2512-FX-1005ELF](#)  
[CHV0805-FX-3603ELF](#) [CHV0805-FX-7503ELF](#) [CHV1206-FX-1003ELF](#) [CHV1206-JW-105ELF](#) [CHV2512-JW-106ELF](#)  
[CHV1206-FX-3304ELF](#) [CHV1206-FX-1005ELF](#) [CHV0805-FX-4994ELF](#) [CHV2512-JW-107ELF](#) [CHV0805-JW-](#)  
[335ELF](#) [CHV0603-JW-334ELF](#) [CHV0603-FX-9104ELF](#) [CHV1206-FW-1004ELF](#) [CHV0805-JW-226ELF](#) [CHV0805-FX-](#)  
[1004ELF](#) [CHV0805-FX-1103ELF](#) [CHV2512-FX-1243ELF](#) [CHV0805-JW-106ELF](#) [CHV2010-FW-4703ELF](#) [CHV0805-](#)  
[FX-1005ELF](#) [CHV1206-JW-154ELF](#) [CHV0603-FX-1103ELF](#) [CHV0805-JW-104ELF](#) [CHV1206-JW-104ELF](#) [CHV0603-](#)  
[FX-3304ELF](#) [CHV0805-JW-186ELF](#) [CHV0603-JW-475ELF](#) [CHV0603-FX-9103ELF](#) [CHV2512-FX-1505ELF](#)  
[CHV2010-FW-1004ELF](#) [CHV1206-JW-276ELF](#) [CHV1206-FW-1503ELF](#) [CHV2512-JW-104ELF](#) [CHV1206-FX-](#)  
[1103ELF](#) [CHV0603-JW-105ELF](#) [CHV2010-FX-2005ELF](#) [CHV0805-JW-105ELF](#) [CHV0603-JW-106ELF](#) [CHV0805-FX-](#)  
[1003ELF](#) [CHV0805-JW-474ELF](#) [CHV0603-FX-5104ELF](#) [CHV0603-JW-104ELF](#) [CHV0603-FX-2203ELF](#) [CHV2010-](#)  
[JW-154ELF](#) [CHV2512-JW-516ELF](#) [CHV0805-FX-3903ELF](#) [CHV1206-FX-2403ELF](#) [CHV0805-FX-3904ELF](#)  
[CHV2512-JW-105ELF](#) [CHV2512-JW-685ELF](#)