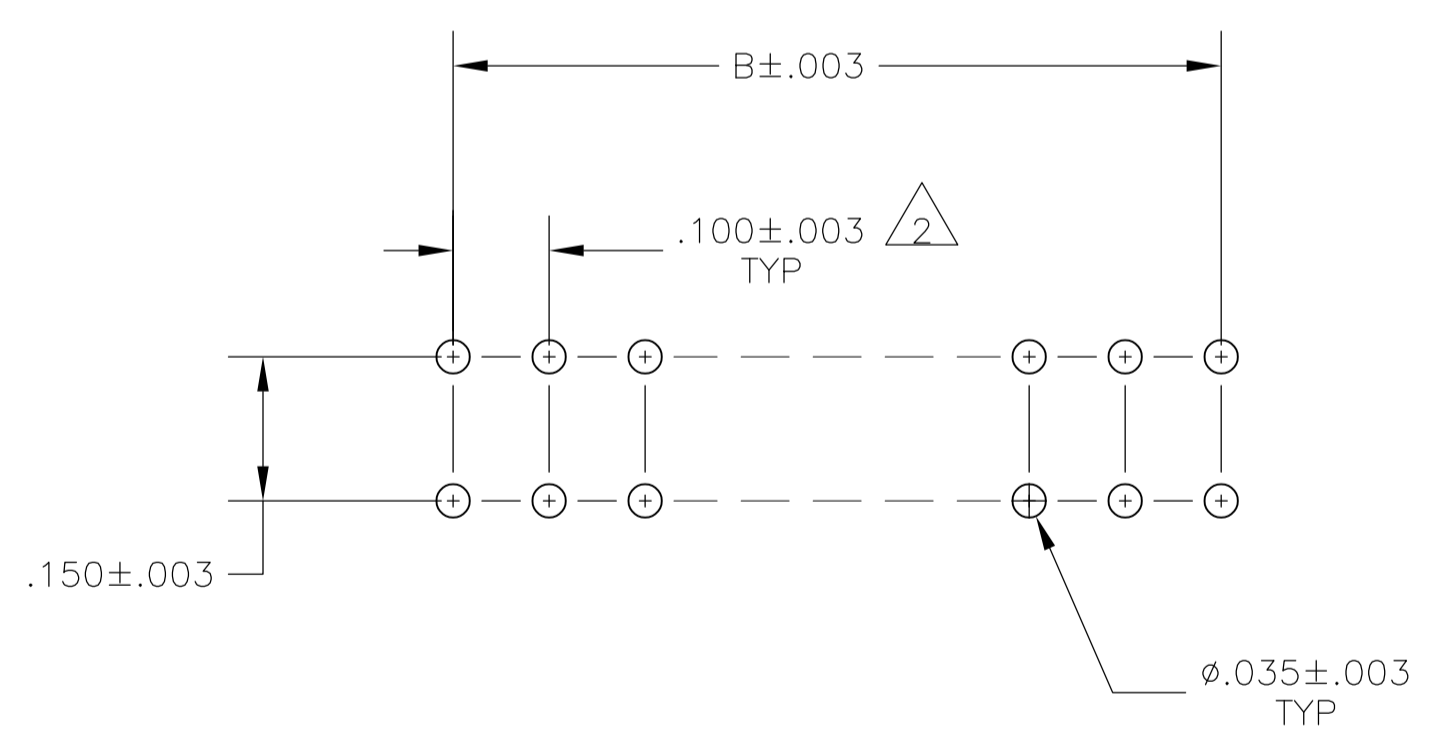
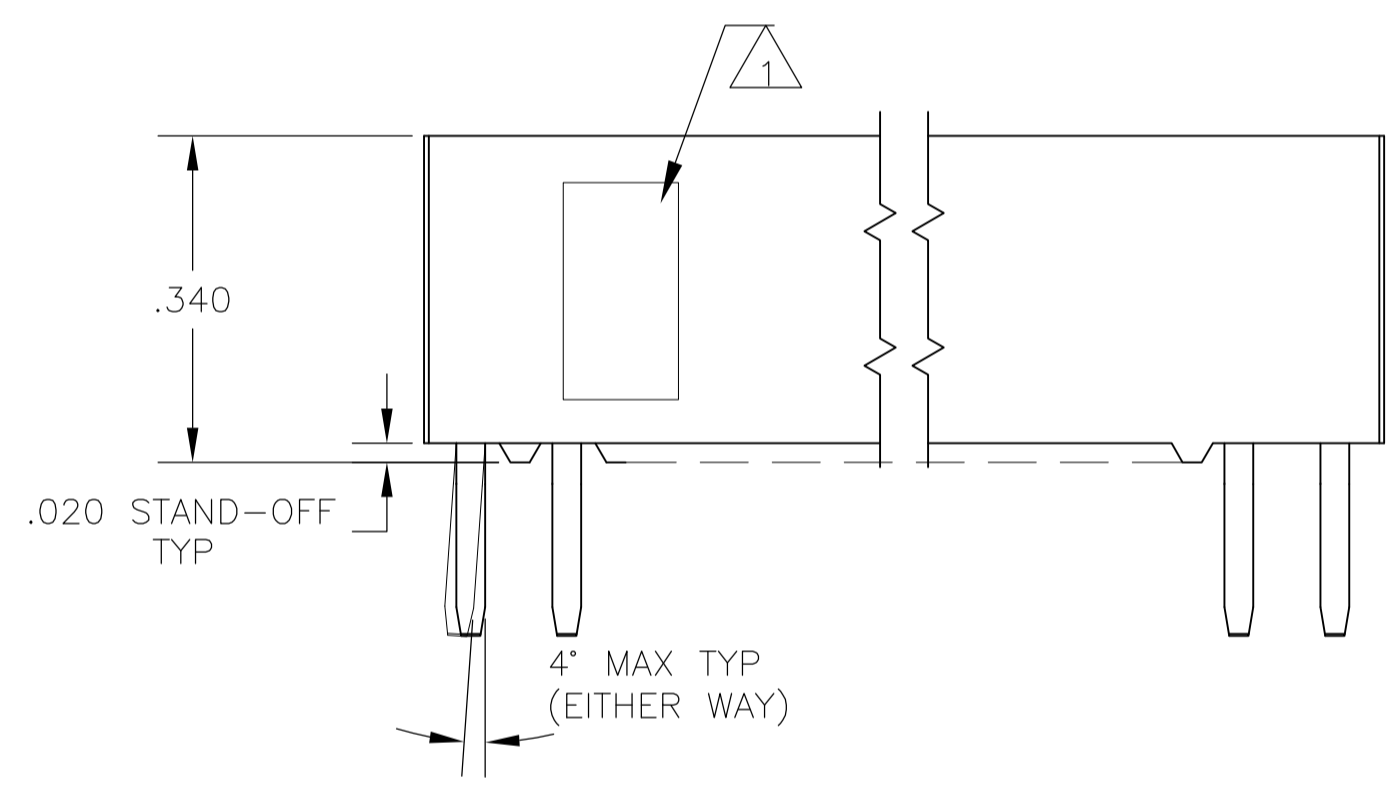
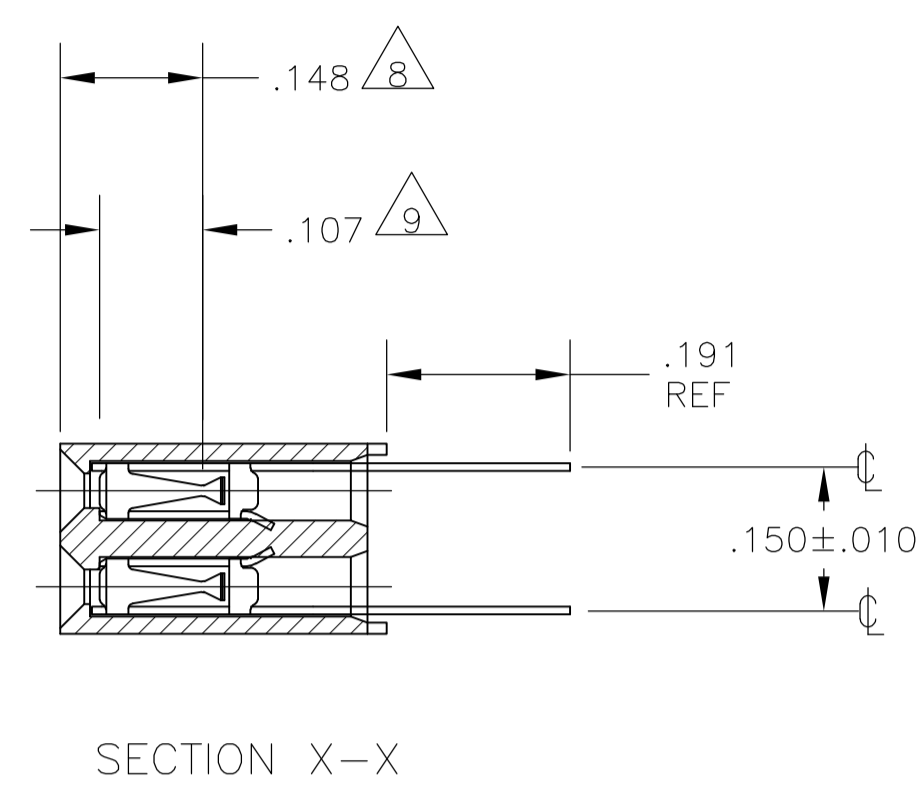
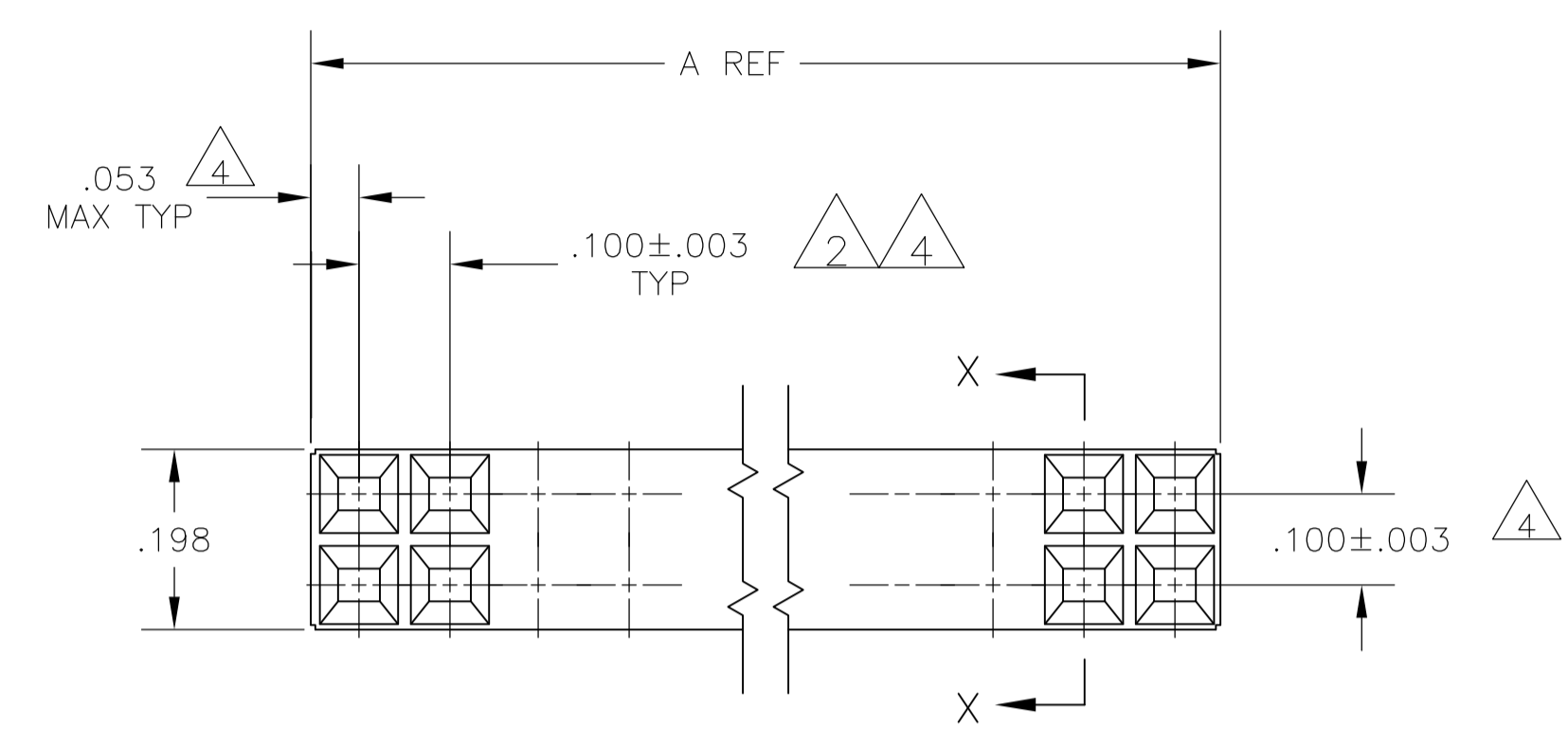


LOC		DIST		REVISIONS			
AD	00	REV	DESCRIPTION	DATE	BY	CHK	APPV
A			REVISED PER 063C-0061-03	07OCT03	MJM	JRO	
A1			REVISED PER ECO-09-024927	06NOV09	KK	AEG	



- △1 TYCO LOGO AND CSA LOGO ARE MOLDED INTO HOUSING
- △2 TOLERANCE NON-CUMULATIVE.
- △3 DUPLEX PLATED: .000030 GOLD IN CONTACT AREA, .000150-.000300 BRIGHT TIN-LEAD ON SOLDER LEADS, ALL OVER .000050 MIN NICKEL.
- △4 THESE DIMENSIONS PERTAIN TO CAVITY CENTERLINES ONLY. NOT TO CONTACT LOCATIONS.
- 6. PACKAGED IN SINGLE TUBES.
- △7 HOUSING: FLAME RETARDANT GLASS FILLED POLYESTER COLOR-BLACK, CONTACT: PHOS. BRONZE
- △8 POINT OF CONTACT DIMENSION.
- △9 POINT OF MEASUREMENT DIMENSION FOR PLATING THICKNESS (INSIDE CONTACT BEAMS).
- △10 DATE CODE AND PART NUMBER ARE MARKED IN APPROXIMATE LOCATION SHOWN"
- △11 DUPLEX PLATED: .000030 GOLD IN CONTACT AREA, .000150-.000300 MATTE TIN ON SOLDER LEADS, ALL OVER .000050 MINIMUM NICKEL"
- △12 ROHS 2002/95/EC COMPLIANT
- △13 OBSOLETE PARTS: OBSOLETE CIS STREAMLINING PER D.RENAUD/D.SINISI

△13, △12	△13	3.200	3.100	64	5-147065-1
	△3	3.200	3.100	64	147065-1
FINISH	A	B	NUMBER OF POSITIONS	PART NUMBER	

THIS DRAWING IS A CONTROLLED DOCUMENT.

DIMENSIONS: INCHES	TOLERANCES UNLESS OTHERWISE SPECIFIED:	DIN J.HERRINGTON 09FEB98	Tyco Electronics Corporation Harrisburg, Pa 17105-3608		
0. PLC ± -	1. PLC ± -	CHK J.HERRINGTON 09FEB98			
2. PLC ± -	3. PLC ± -	APVD J.HERRINGTON 09FEB98	NAME ASSEMBLY, MOD II DOUBLE ROW, .100 X .100		
4. PLC ± -	ANGLES ± -	PRODUCT SPEC	APPLICATION SPEC		
MATERIAL	FINISH	SIZE	CAGE CODE	DRAWING NO	RESTRICTED TO
△7	△3, △1	A1	00779	147065	
CUSTOMER DRAWING		SCALE	SHEET	OF	REV
		5:1	1	1	A1

Mouser Electronics

Authorized Distributor

Click to View Pricing, Inventory, Delivery & Lifecycle Information:

[TE Connectivity:](#)

[147065-1](#)