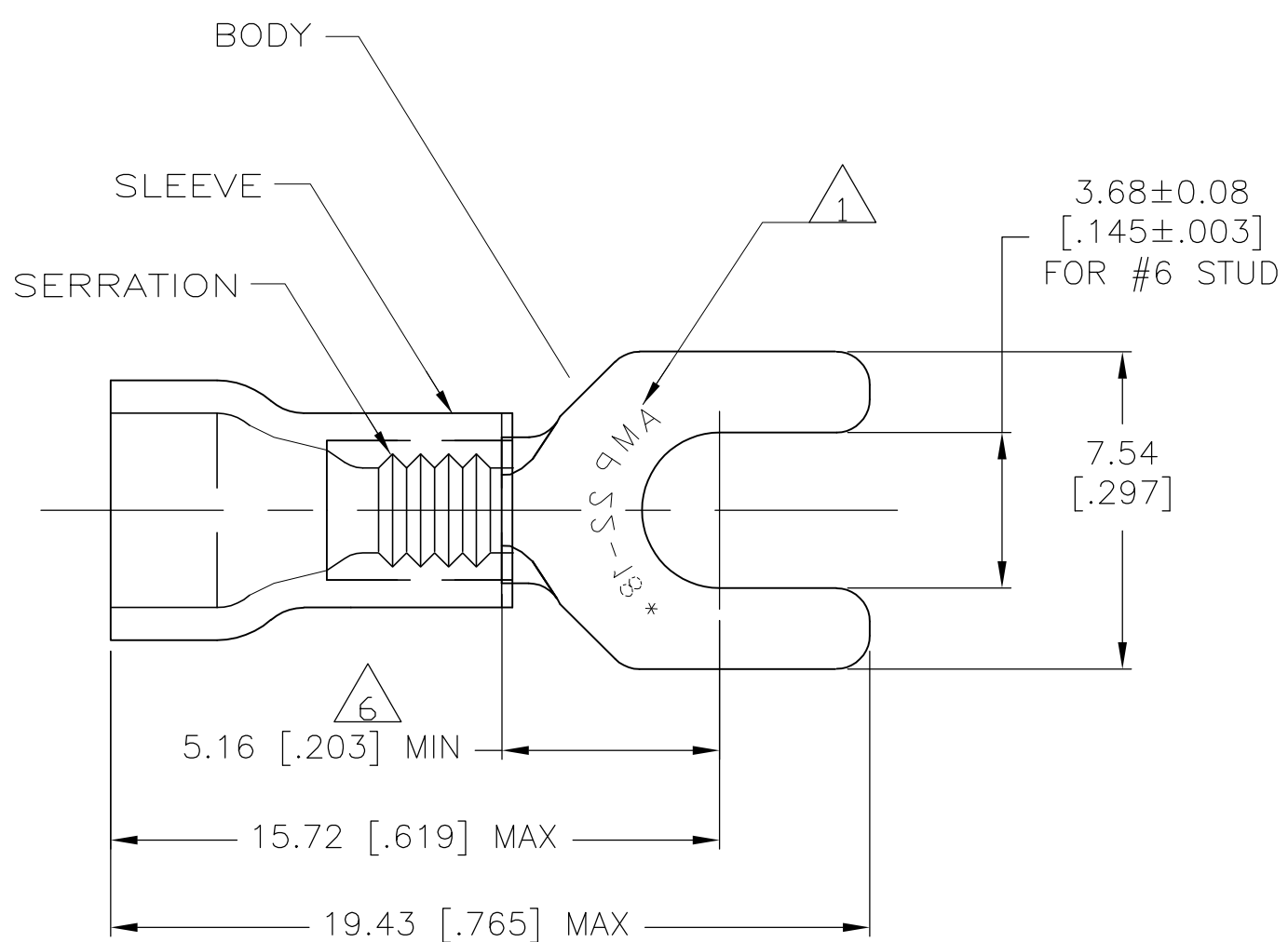


THIS DRAWING IS UNPUBLISHED. RELEASED FOR PUBLICATION  
 © COPYRIGHT - By - ALL RIGHTS RESERVED.

LOC	DIST	REVISIONS					
G	14	P	LTR	DESCRIPTION	DATE	DWN	APVD
		G2		REVISED PER ECO-11-004820	11MAR11	RK	HMR



<b>AMP</b> WIRE RANGE	Listed FILE E13288	LR7189 Certified
22-16 AWG SOLID OR STRANDED	22-16 AWG SOLID OR STRANDED	22-16 AWG SOLID OR STRANDED

- ① STAMP AMP 22-18\* APPROX AS SHOWN  
22-16 TERMINALS ARE STAMPED 22-18 IN ACCORDANCE WITH MILITARY SPEC MIL-T-7928  
COMMERCIAL WIRE RANGE IS 22-16
- 2. WIRE INSUL DIA, 2.67 TO 3.56 [.105 TO .140]
- 3. TONGUE MATL THK, 0.79 ± 0.05 [.031 ± .002]
- ④ SUPERSEDED BY 8-320665-5
- ⑤ MATERIAL: BODY - CU PER ASTM B152  
SLEEVE - PVC, COLOR - RED
- ⑥ APPLIES FROM THE METAL EDGE OF BARREL TO THE CENTER OF THE STUD.

④	50	LOOSE PIECE, BAG	8-320665-5
	5	LOOSE PIECE, BLS	8-320665-4
	100	LOOSE PIECE, BOX	8-320665-1
	5000	ON TAPE, REEL	2-320665-1
	1000	LOOSE PIECE	320665
	QTY	PACKAGE TYPE	PART NO

<b>AMP INCORPORATED CUSTOMER SERVICE SYSTEMS</b>		MAX RECOMMENDED OPERATING TEMPERATURE: 105°C	THIS DRAWING IS A CONTROLLED DOCUMENT.		DWN G VINSON 28NOV94	TE Connectivity			
FOR ADDITIONAL PRODUCT INFORMATION OR COPIES OF DRAWINGS AND TECHNICAL DOCUMENTS	PRODUCT INFORMATION CENTER 1-800-522-6752	VOLTAGE RATING: 600V MAX (1000V FIXTURE OR SIGN)	DIMENSIONS: mm [INCHES]	TOLERANCES UNLESS OTHERWISE SPECIFIED:	CHK M ELLIS 28NOV94				NAME
FOR APPLICATION TOOLING INFORMATION	TOOLING ASSISTANCE CENTER 1-800-722-1111	CIRCULAR MIL AREA: 0.26-1.65mm² [509-3260] SOLID OR STRANDED		0 PLC ± - 1 PLC ± - 2 PLC ± 0.20 [.008] 3 PLC ± - 4 PLC ± - ANGLES ± -	APVD G NGO 28NOV94	TERMINAL, SPADE, PLASTI-GRIP WIRE SIZE : 22-16 AWG			
FOR ORDER ENTRY	1-800-526-5142	THIS DRAWING IS A CONTROLLED DOCUMENT FOR AMP INCORPORATED. IT IS SUBJECT TO CHANGE AND THE CONTROLLING ENGINEERING ORGANIZATION SHOULD BE CONTACTED FOR THE LATEST REVISION.	MATERIAL - ⑤ -	FINISH -	PRODUCT SPEC UL 486A	SIZE A3	CAGE CODE 00779	DRAWING NO G-320665	RESTRICTED TO -
					APPLICATION SPEC -	WEIGHT -	CUSTOMER DRAWING		SCALE 6:1
					SHEET 1 OF 1		REV G2		

# Mouser Electronics

Authorized Distributor

Click to View Pricing, Inventory, Delivery & Lifecycle Information:

[TE Connectivity:](#)

[320665](#) [2-320665-1](#)