

4

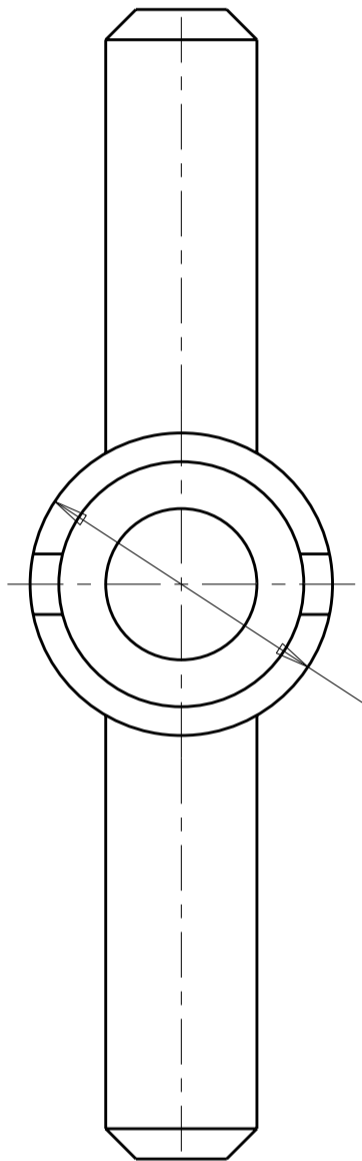
3

2

1

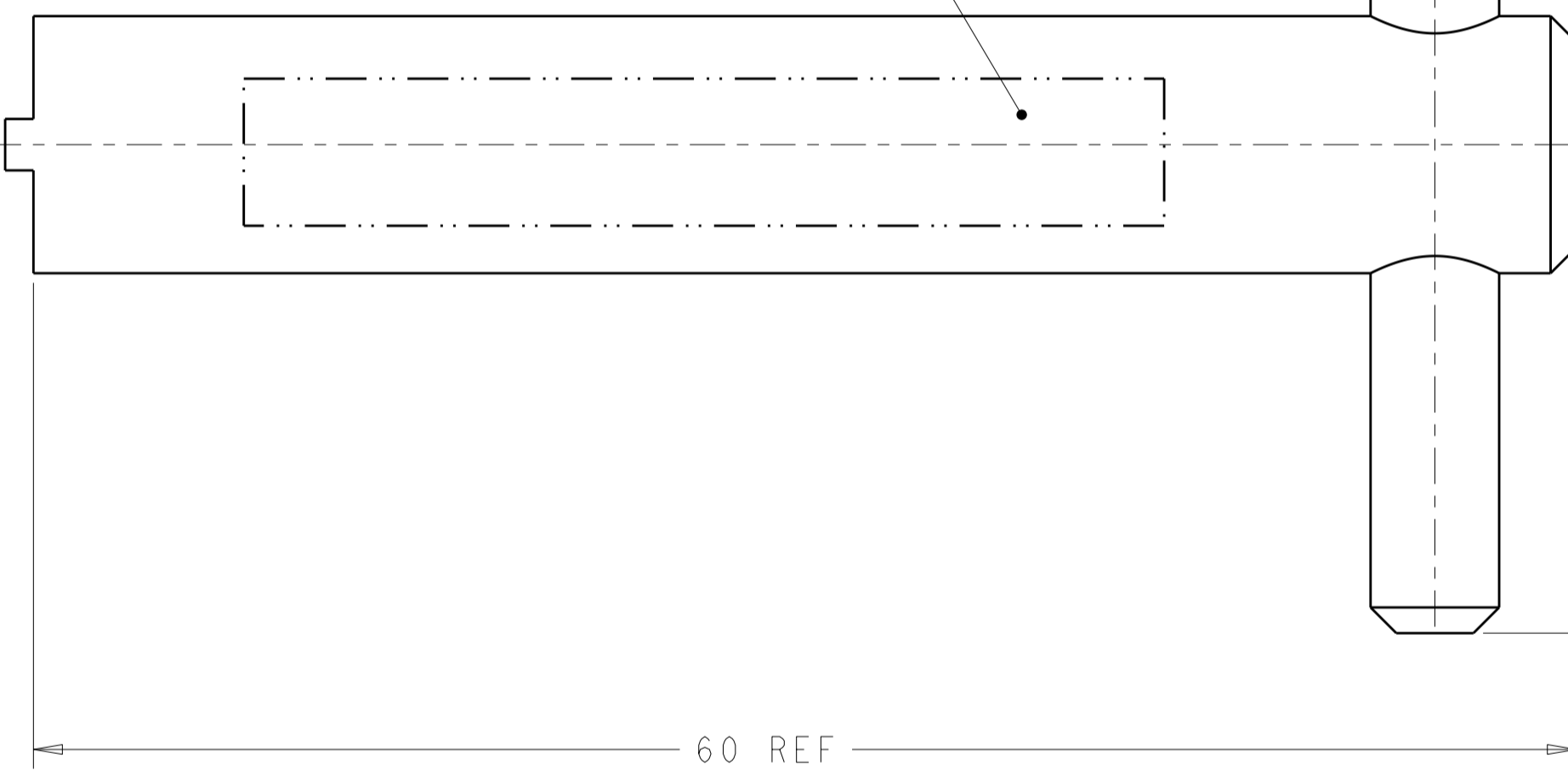
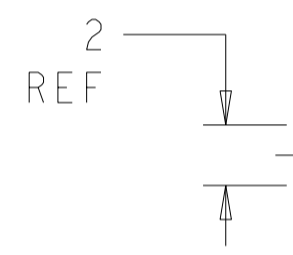
THIS DRAWING IS UNPUBLISHED. RELEASED FOR PUBLICATION
 © COPYRIGHT BY TYCO ELECTRONICS CORPORATION. ALL RIGHTS RESERVED.

LOC	DIST	REVISIONS			
P	LTR	DESCRIPTION	DATE	DWN	APVD
-	-	A	RELEASED PER ECO 10-026167	1-23-11	CT BW



Ø 10 REF

MFG'S NAME AND PART NO.
 MARKED IN THIS AREA



38.1 REF

60 REF

- MAT'L: STAINLESS STEEL.
- THIS PRODUCT IS SOLD BY TYCO ELECTRONICS UNDER A LICENSE FROM RADIAL SA.

1738221-1
 PART NUMBER

THIS DRAWING IS A CONTROLLED DOCUMENT FOR TYCO ELECTRONICS CORPORATION. IT IS SUBJECT TO CHANGE AND THE CONTROLLING ENGINEERING ORGANIZATION SHOULD BE CONTACTED FOR THE LATEST REVISION.		DWN CJV	03NOV2005	Tyco Electronics Harrisburg, PA 17105-3608	
DIMENSIONS: mm		CHK JPM	03NOV2005	NAME SPIGOT WRENCH FOR LOCKING DEVICE	
TOLERANCES UNLESS OTHERWISE SPECIFIED: 0 PLC ± 1 PLC ±0.5 2 PLC ±0.13 3 PLC ±0.013 4 PLC ±0.0001 ANGLES ± FINISH		APVD JPM	03NOV2005	SIZE CAGE CODE DRAWING NO RESTRICTED TO A200779C-1738221 -	
MATERIAL		PRODUCT SPEC APPLICATION SPEC WEIGHT		SCALE SHEET OF REV CUSTOMER DRAWING 4:1 1 A	

Mouser Electronics

Authorized Distributor

Click to View Pricing, Inventory, Delivery & Lifecycle Information:

[TE Connectivity:](#)

[1738221-1](#)