

4

3

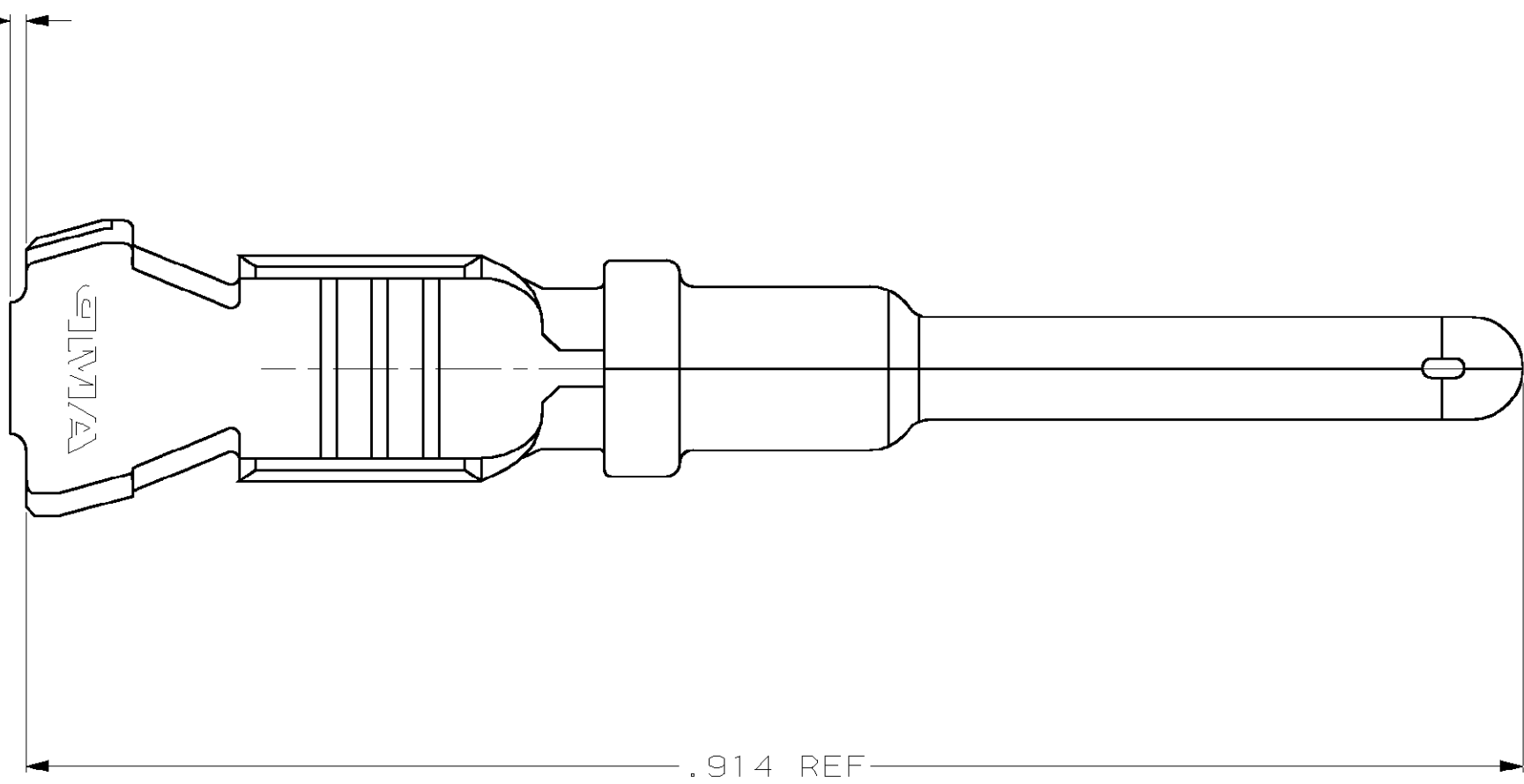
2

1

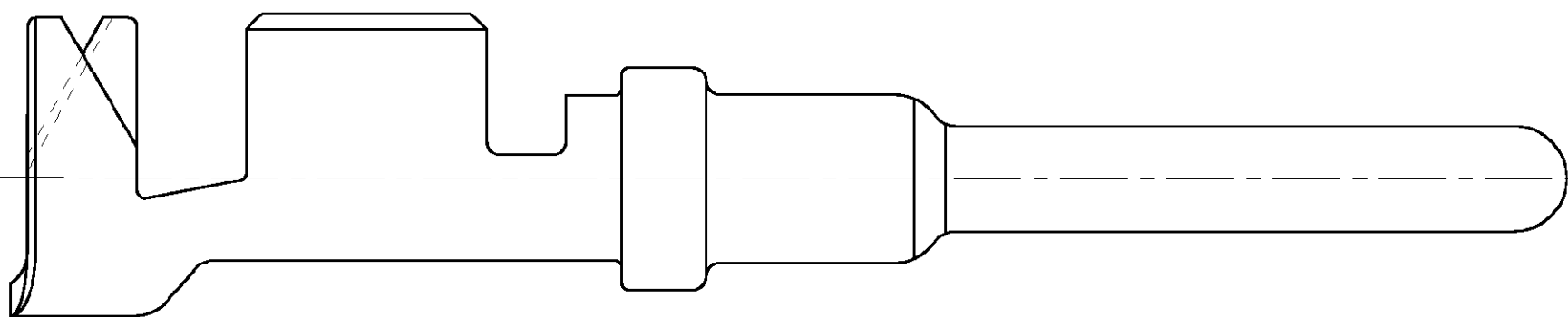
THIS DRAWING IS UNPUBLISHED. RELEASED FOR PUBLICATION .19  
 BY AMP INCORPORATED. ALL RIGHTS RESERVED.

LOC	DIST	REVISIONS			
P	LTR	DESCRIPTION	DATE	DWN	APVD
GE	33	0	REL PER PR# 99-7	2-16-99	PC WL
		A	REV PER OK40-0013-01	24AUG01	AG MT

.010 MAX  
CUT-OFF TAB



1. WIRE RANGE: 18-14 AWG



LOOSE PIECE VERSION OF 638078-3	NICKEL	776300-2
LOOSE PIECE VERSION OF 638078-1	GOLD	776300-1
DESCRIPTION	FINISH	PART NUMBER

THIS DRAWING IS A CONTROLLED DOCUMENT.		DWN P. COLLINS 2-16-99	AMP Incorporated Harrisburg, PA 17105-3508	
DIMENSIONS: mm		CHK W. LONG 2-16-99		
TOLERANCES UNLESS OTHERWISE SPECIFIED:		APVD S. MARPOE 2-16-99		
0 PLC ±-	1 PLC ±-	NAME PIN CONTACT, WIRE-TO-WIRE LOOSE PIECE	SIZE A2	CAGE CODE 00779
2 PLC ±0.5	3 PLC ±0.13	PRODUCT SPEC	DRAWING NO 776300	RESTRICTED TO
4 PLC ±-	ANGLES ±-	APPLICATION SPEC	WEIGHT	SCALE 10:1
MATERIAL	FINISH	CUSTOMER DRAWING	SHEET 1 OF 1	REV A

776300

# Mouser Electronics

Authorized Distributor

Click to View Pricing, Inventory, Delivery & Lifecycle Information:

[TE Connectivity:](#)

[776300-1](#)