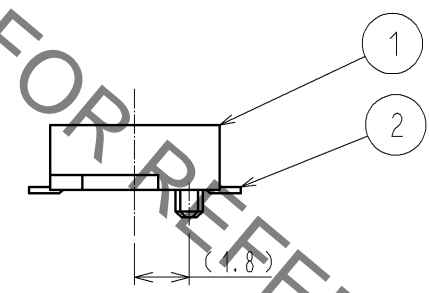
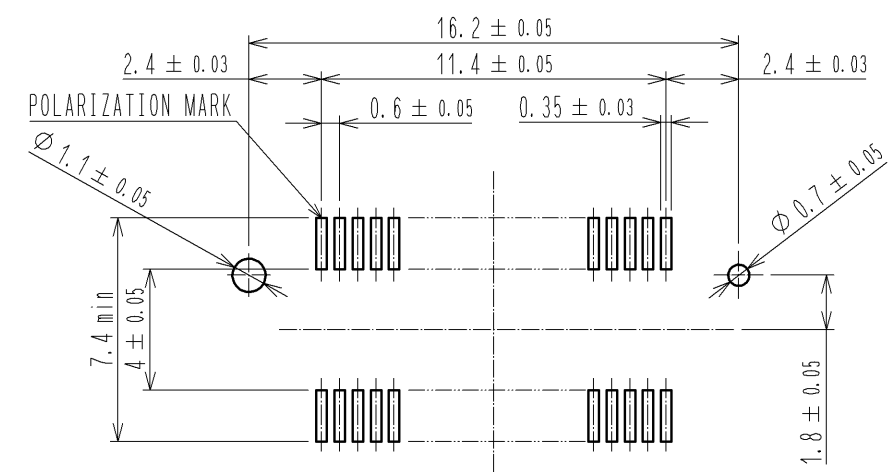
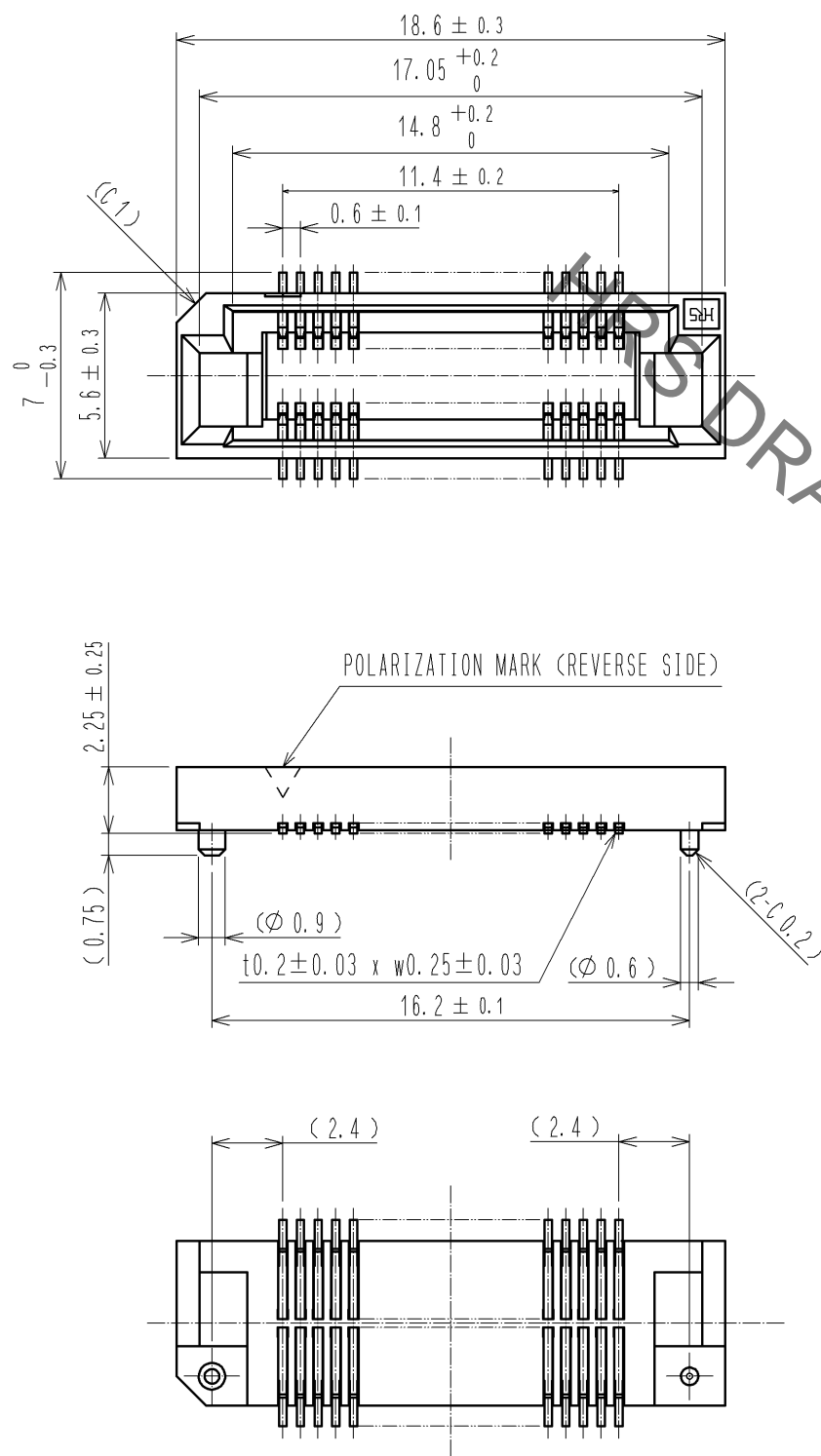


May.1.2019 Copyright 2019 HIROSE ELECTRIC CO., LTD. All Rights Reserved.
In case of consideration for using Automotive equipment / device which demand high reliability, kindly contact our sales window correspondents.

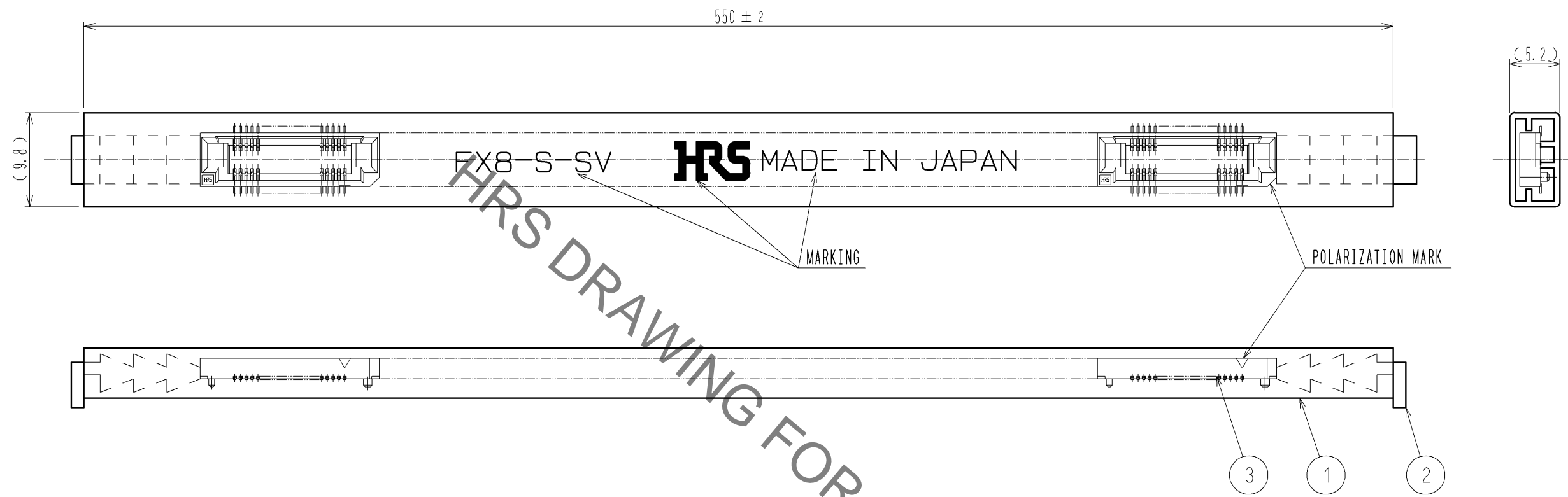
RECOMMENDED LAND PATTERN DIMENSION OF PCB(MOUNTING SIDE)



NOTE 1 LEAD CO-PLANARITY SHALL BE 0.1max.
2 FOR DETAILS. SEE THE SECTION CONCERNING THE DELIVERY FORM ON NEXT PAGE.
3 FOR MODIFICATION, ETC., PREVENTIVE HOLE FOR SINK MARK MAY BE ADDED DEPENDS ON CIRCUMSTANCES.

| | | | | | | | | |
|-------|----------|--|-------|---|--|----------|---------|------|
| 1 | PPS | LIGHT BROWN UL94V-0 | 2 | PHOSPHOR BRONZE | CONTACT AREA : GOLD(0.1μm) OVER NICKEL | | | |
| NO. | MATERIAL | FINISH . REMARKS | NO. | MATERIAL | LEAD AREA : GOLD(FLASH) OVER NICKEL | | | |
| UNITS | mm | SCALE | 4 : 1 | COUNT | DESCRIPTION OF REVISIONS | DESIGNED | CHECKED | DATE |
| | | APPROVED : HS. OKAWA 14.01.20 CHECKED : HT. YAMAGUCHI 14.01.20 DESIGNED : KJ. NISHIWAKI 14.01.18 DRAWN : KJ. NISHIWAKI 14.01.18 | | DRAWING NO. EDC3-150990-01 PART NO. FX8-40S-SV(21) CODE NO. CL578-0209-7-21 | | 1/2 | | |

May.1.2019 Copyright 2019 HIROSE ELECTRIC CO., LTD. All Rights Reserved.
In case of consideration for using Automotive equipment / device which demand high reliability, kindly contact our sales window correspondents.



HRS DRAWING FOR REFERENCE

NOTE 1 THE DIMENSIONS IN PARENTHESES ARE FOR REFERENCE.
2 TUBE : 28 CONNECTORS.

| | | |
|-----|-------------------|------------------|
| 3 | (CONNECTOR) | |
| 2 | POLYVINYLCHLORIDE | STOPPER |
| 1 | POLYVINYLCHLORIDE | TUBE |
| NO. | MATERIAL | FINISH . REMARKS |

| | | | |
|------------|-------------|-----------------|-------|
| HRS | DRAWING NO. | EDC3-150990-01 | |
| | PART NO. | FX8-40S-SV(21) | |
| | CODE NO. | CL578-0209-7-21 | △ 2/2 |
| | | | |