

In case of consideration for using Automotive equipment / device which demand high reliability, kindly contact our sales window correspondents.

Nov.1.2020 Copyright 2020 HIROSE ELECTRIC CO., LTD. All Rights Reserved.

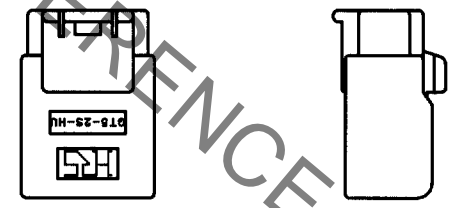
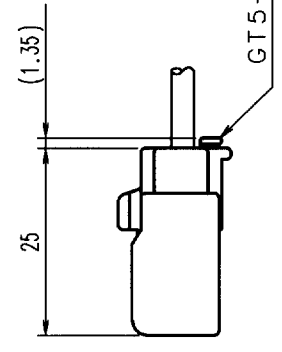
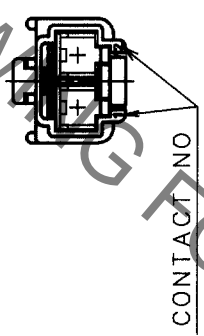
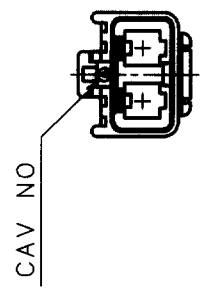
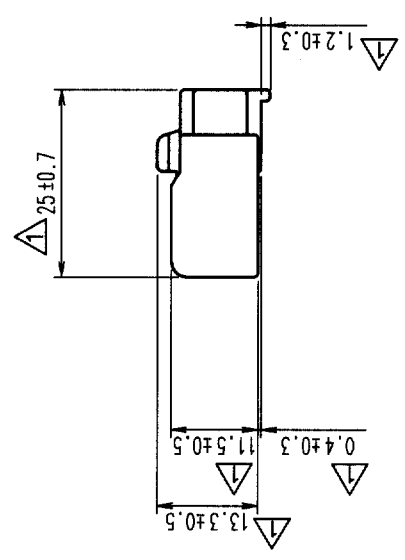
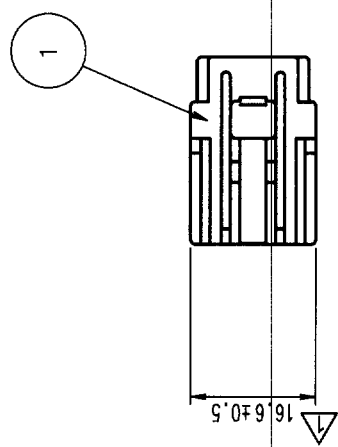
1 2 3 4 5 6 7 8

A B C D E F

PECULIAR SPECIFICATION CHART

PART NO	CLNo.	SPECIFICATION
GT5-2S-HU	755-0044-1	UL94HB LIGHT GRAY
GT5-2S-HU (20)	755-0044-1-20	UL94HB ORANGE
GT5-2S-HU (21)	755-0044-1-21	UL94HB BLUE

COUNT	DESCRIPTION OF REVISIONS	BY	CHKD	DATE	COMNT	DESCRIPTION OF REVISIONS	BY	CHKD	DATE
6	RE-T-00607	T.I	M.O	2011.11.28					



CONNECTOR ASSEMBLED WITH A RETAINER

TO			
----	--	--	--

NOTE1. THIS CONNECTOR SHALL BE USED WITH A RETAINER (CL755-0046-7).

NO.	PBT	MATERIAL	FINISH, REMARKS	NO.	MATERIAL	FINISH, REMARKS	APPROVED	RELEASED
1								

CODE NO. (OLD)	FINISH, REMARKS	NO.	MATERIAL	FINISH, REMARKS	APPROVED	RELEASED

DRAWN	DESIGNED	CHECKED	FINISH, REMARKS
T. IKEDA '98.11.20	T. IKEDA '98.11.20	N. NAKATA '98.12.1	GT5-2S-HU

DRAWING NO.	PART NO.
EDC3-165327	GT5-2S-HU

SCALE	UNITS	CODE NO.
1 : 1	ITTT	CL755-0044-1

1 2 3 4 5 6 7 8