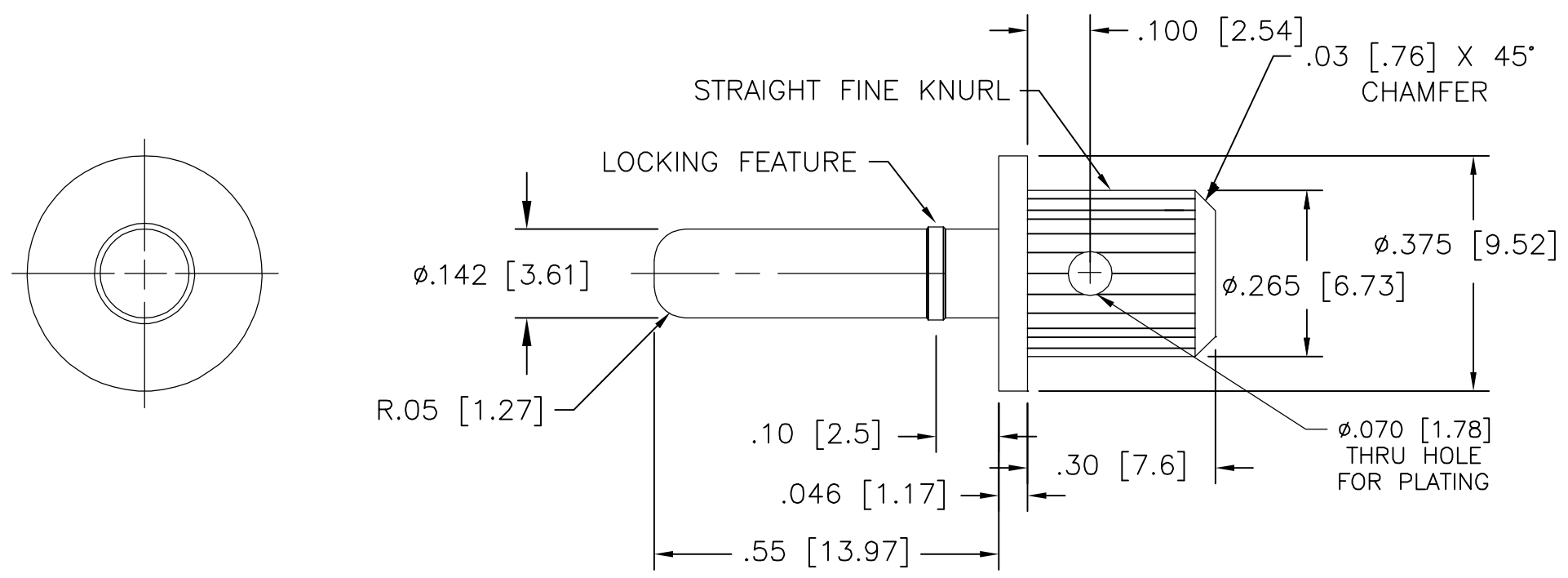


THIS DRAWING IS UNPUBLISHED. RELEASED FOR PUBLICATION
 © COPYRIGHT - BY TYCO ELECTRONICS CORPORATION. ALL RIGHTS RESERVED.

LOC	DIST	REVISIONS			
P	LTR	DESCRIPTION	DATE	DWN	APVD
GP	00	B	REV PER ECO-06-026016	07NOV06	RG SF



- PART NUMBER CHANGES AND/OR DESIGN CHANGES AFFECTING ITEM INTERCHANGEABILITY REQUIRE PRIOR ELCON APPROVAL AND AUTHORIZATION BY REVISION TO THIS DRAWING.
- ITEMS PROVIDED TO THIS SPECIFICATION SHALL BE IDENTIFIED ON THE CONTAINER WITH THE FOLLOWING INFORMATION: PART NUMBER & DATE CODE OF MANUFACTURE.

- 3 MATERIAL - PIN CONTACT: COPPER ALLOY
- 4 FINISH - PIN CONTACT: SILVER .00020 MIN THK. OVER NICKEL .000040 MIN THK.

AS SHOWN	1766857-1
DESCRIPTION	PART NUMBER

THIS DRAWING IS A CONTROLLED DOCUMENT.		DWN R.GRZYBOWSKI 24APR2006	Tyco Electronics Corporation Harrisburg, PA 17105-3608	
DIMENSIONS: INCHES 		CHK S.FLICKINGER 24APR06		
TOLERANCES UNLESS OTHERWISE SPECIFIED: 0 PLC ± - 1 PLC ± - 2 PLC ± .02 { .5 } 3 PLC ± .010 [.25] 4 PLC ± - ANGLES ± .5		APVD S.FLICKINGER 24APR06	NAME PIN CONTACT, SIZE # 8, SWAGE MOUNT LOCKING STYLE, PRESS FIT	
MATERIAL		PRODUCT SPEC	SIZE	
FINISH		APPLICATION SPEC	CAGE CODE	DRAWING NO
		WEIGHT	A300779	C=1766857
		CUSTOMER DRAWING		RESTRICTED TO
		SCALE 1:1		SHEET 1 OF 1
				REV B

ELCON PIN CONTACT

Mouser Electronics

Authorized Distributor

Click to View Pricing, Inventory, Delivery & Lifecycle Information:

[TE Connectivity:](#)

[1766857-1](#)