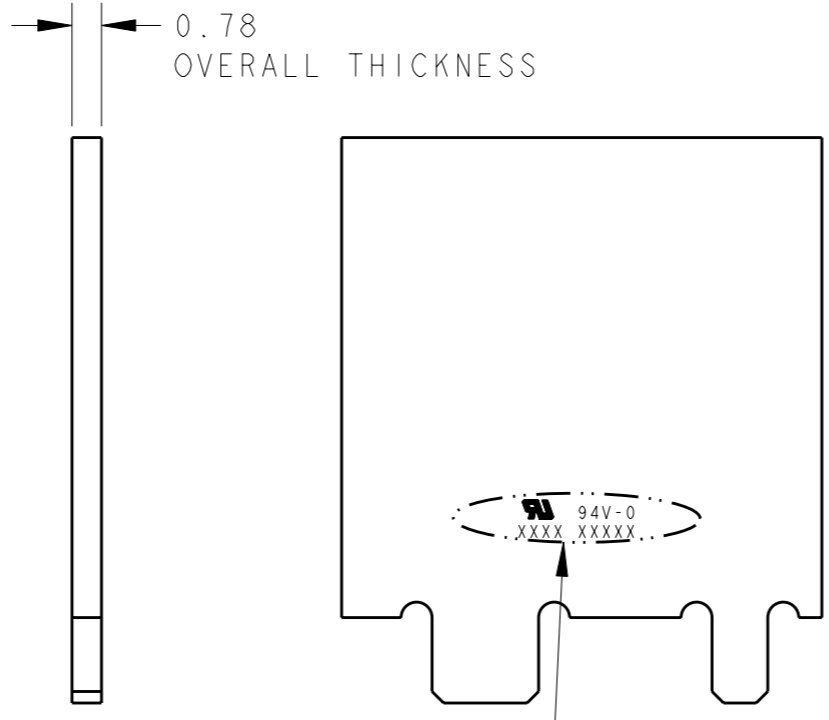
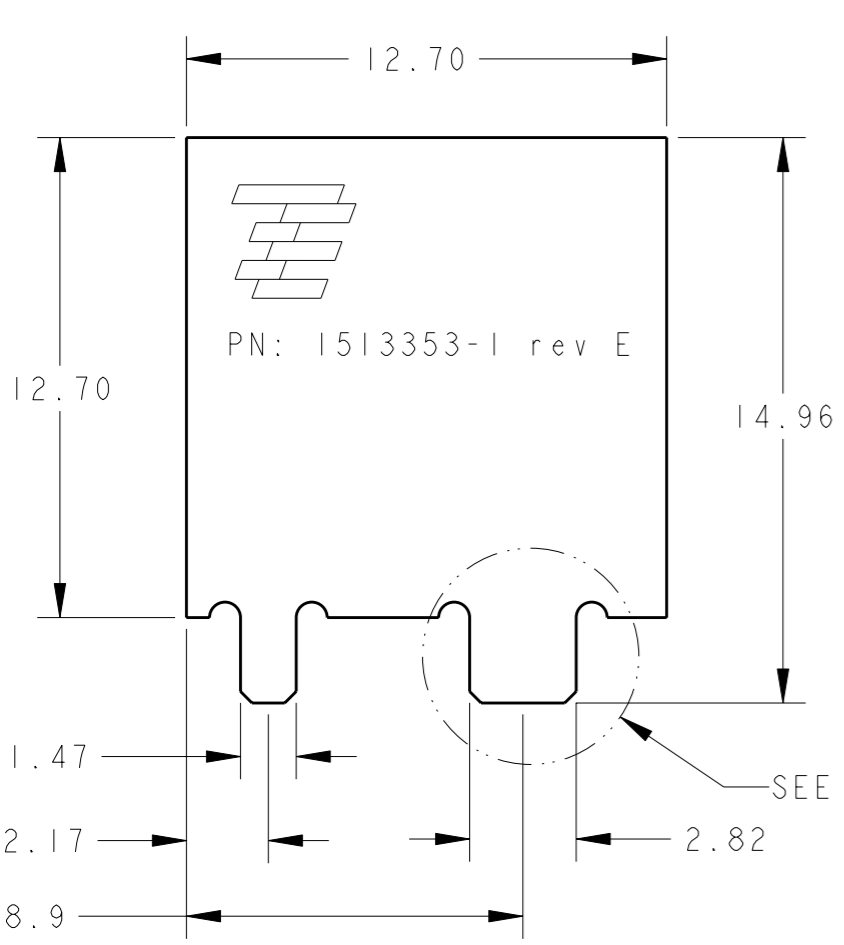


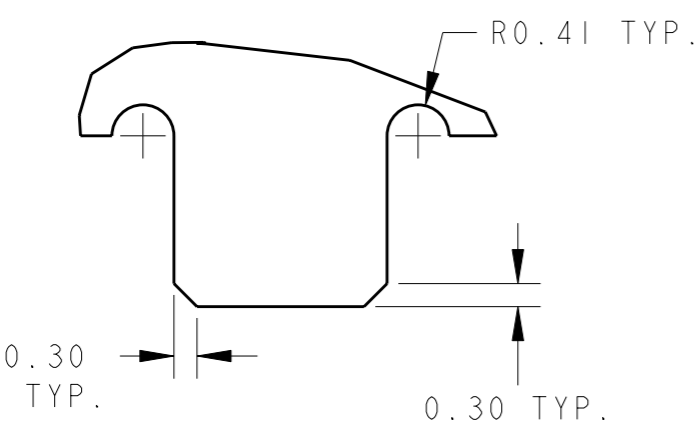
THIS DRAWING IS UNPUBLISHED. RELEASED FOR PUBLICATION 20
 © COPYRIGHT 20 BY TYCO ELECTRONICS CORPORATION. ALL RIGHTS RESERVED.

LOC	DIST	REVISIONS			
P	LTR	DESCRIPTION	DATE	DWN	APVD
HQ	00				
	C	Updated pin length/tolerances	10JUL2007	DJL	MAH
	D	Modified silkscreen and notes	13MAR2009	VG	MAH
	DI	Modified notes	26MAR2009	VG	MAH
	E	Updated dims / logo, and notes	20AUG2009	APV	MAH



SEE DETAIL A
 4 DIGIT DATE CODE AND
 TE VENDOR SOURCE CODE

- NOTES: UNLESS OTHERWISE SPECIFIED.
- FABRICATED TO MEET IPC - 6012, CLASS 2. INSPECT TO MEET IPC - A - 600, CLASS 2.
 - MATERIAL: GETEK 4 PLY (7628) 0.71 THK. P/N ML200D, 1/2 OZ. COPPER BOTH SIDES DIELECTRIC CONSTANT @ 1MHZ 4.2 ± 0.1.
 - FINISH:
 A: SOLDERMASK OVER BARE COPPER (SMOBC).
 B: MASK BOTH SIDES OF PCB WITH LPI SOLDERMASK. SOLDERMASK COLOR: NATURAL GREEN.
 C: TOP AND BOTTOM OF TABS E.N.I.G PLATING
 - TWO PLACE TOLERANCES: ±0.23
 - PACKAGING: SINGULATED PARTS TO BE VACUUM PACKED IN BULK.
 - PARTS ARE COMPLIANT TO ROHS STANDARDS PER TYCO ELECTRONICS STANDARD TEC-138-702.
 - CONSULT TYCO ELECTRONICS DATA SHEET DS1513353
 - CONTACT TYCO ELECTRONICS ENGINEERING PRIOR TO DESIGNING INTO AN APPLICATION
 - PRIMARY AND SECONDARY SIDES SHOWN.



DETAIL A
 SCALE 10:1

THIS DRAWING IS A CONTROLLED DOCUMENT FOR TYCO ELECTRONICS CORPORATION IT IS SUBJECT TO CHANGE AND THE CONTROLLING ENGINEERING ORGANIZATION SHOULD BE CONTACTED FOR THE LATEST REVISION.		DWN DJL 14DEC2006	Tyco Electronics Rochester, New York 14623	
DIMENSIONS: mm	TOLERANCES UNLESS OTHERWISE SPECIFIED:	CHK -	NAME 2.4 GHz PCB Antenna	
0 PLC ±-	1 PLC ±-	APVD -	PRODUCT SPEC -	RESTRICTED TO -
2 PLC ±-	3 PLC ±-	PRODUCT SPEC -	APPLICATION SPEC -	SIZE A3
4 PLC ±-	ANGLES ±-	WEIGHT -	CAGE CODE C-1513353	DRAWING NO C-1513353
MATERIAL -	FINISH -	CUSTOMER DRAWING		SCALE 5:1
			SHEET 1 OF 1	REV E

Mouser Electronics

Authorized Distributor

Click to View Pricing, Inventory, Delivery & Lifecycle Information:

[TE Connectivity:](#)

[1513353-1](#)