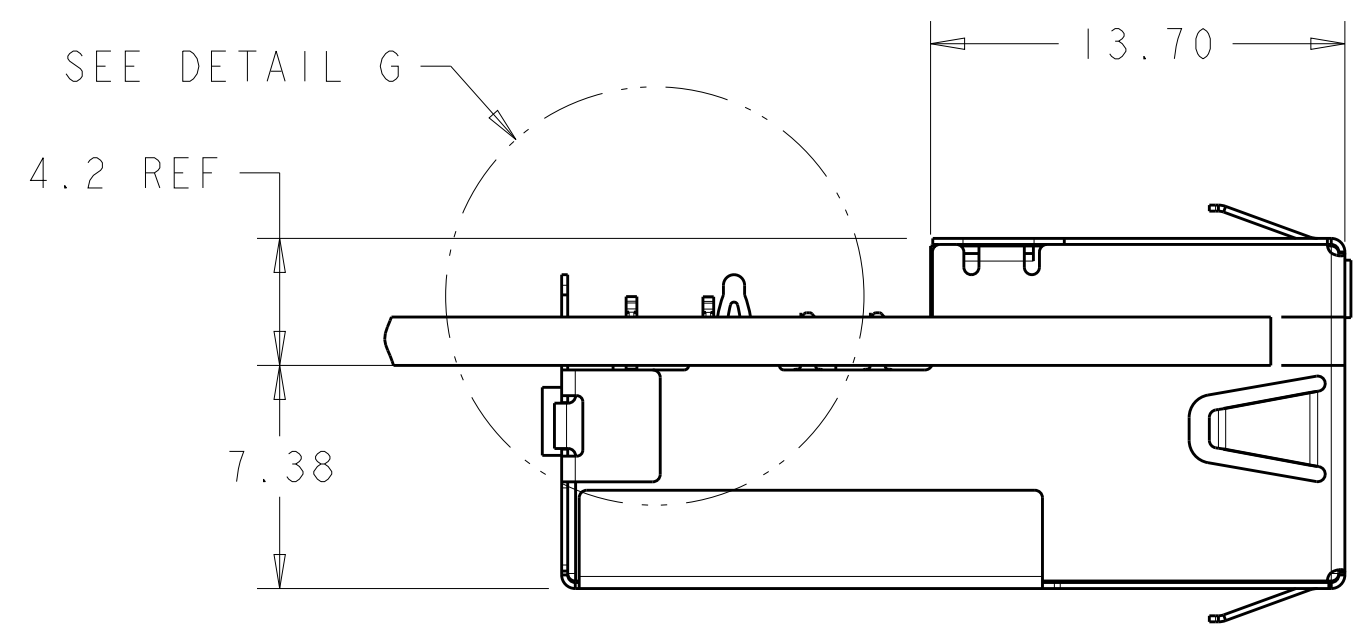
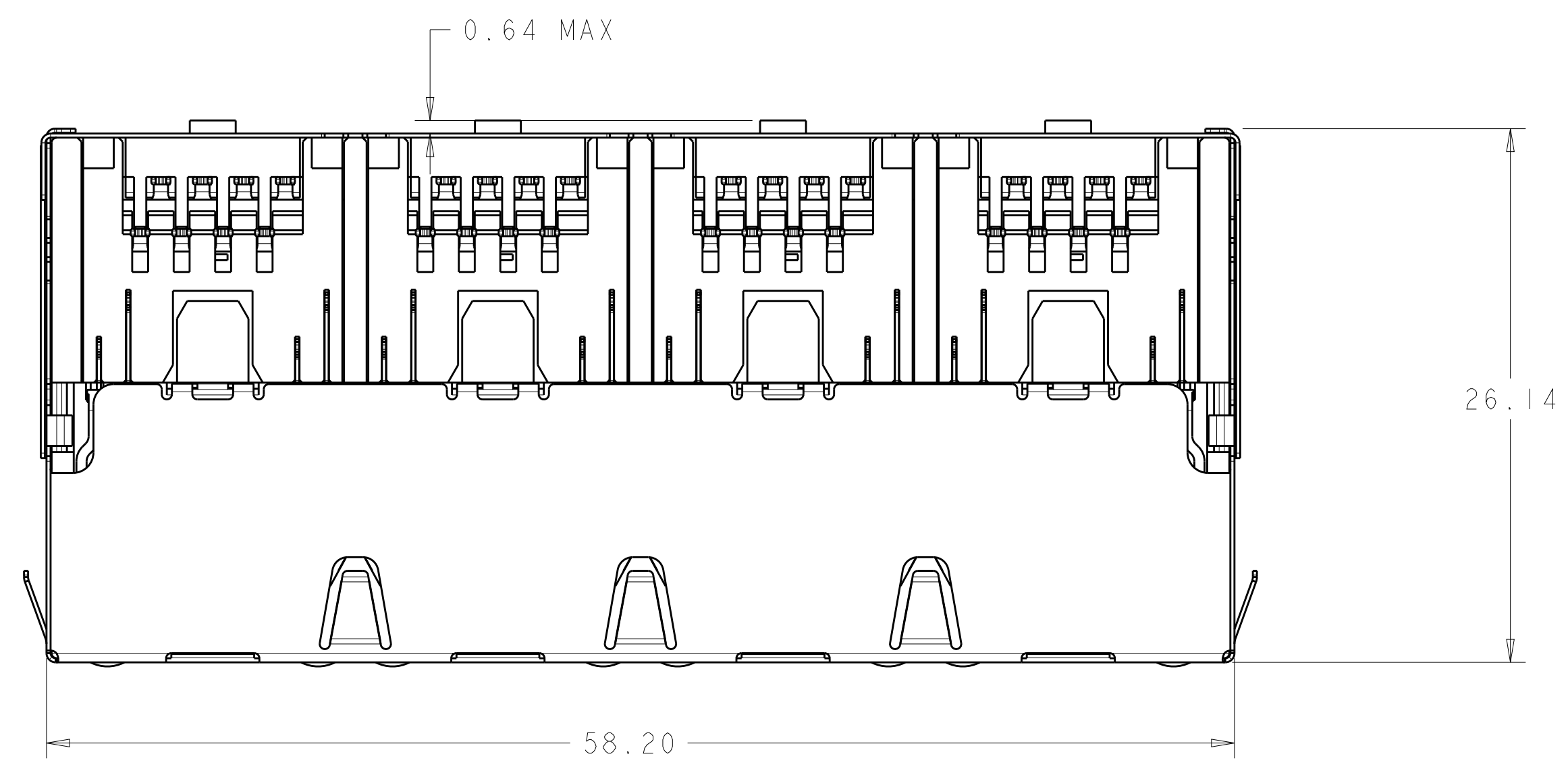
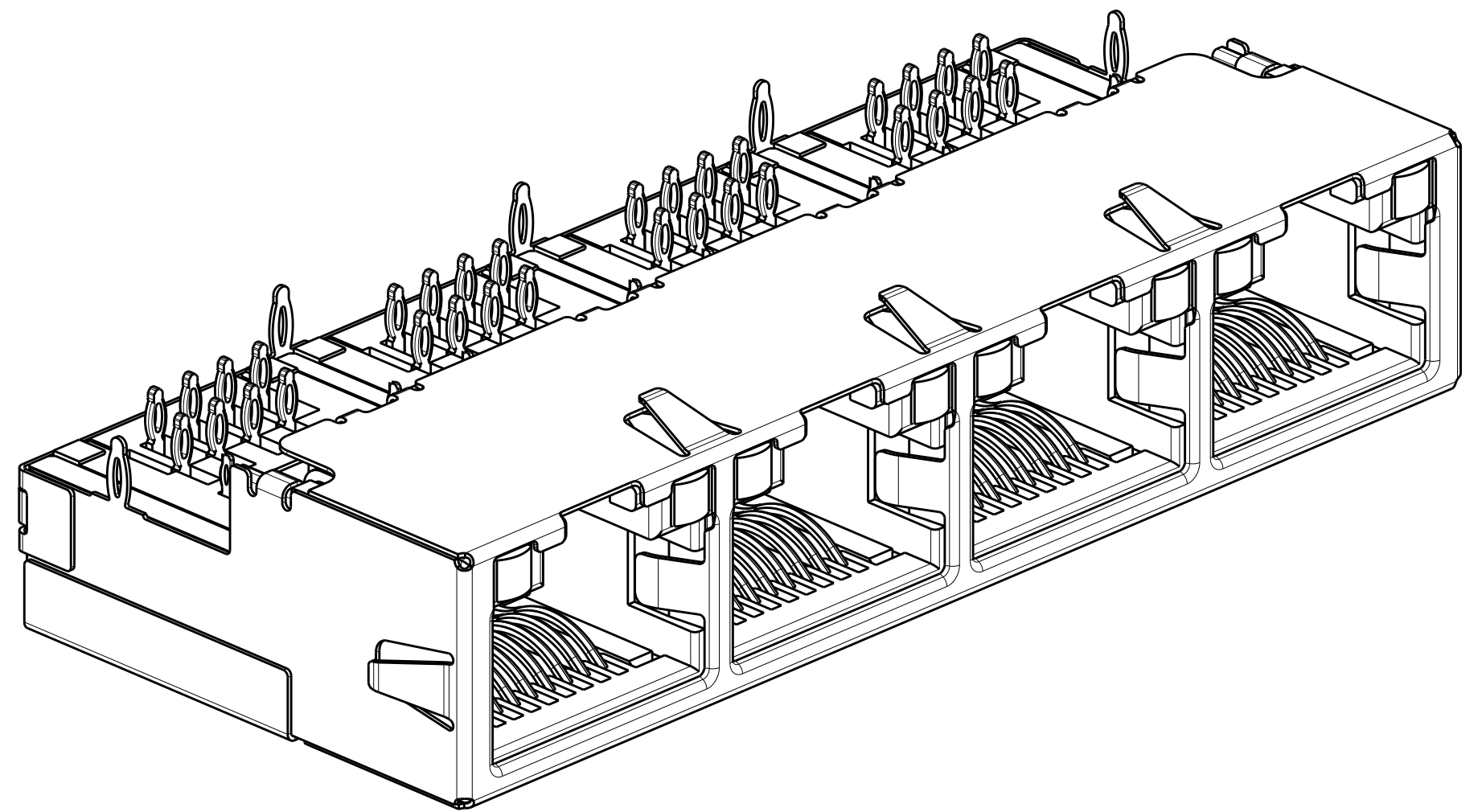
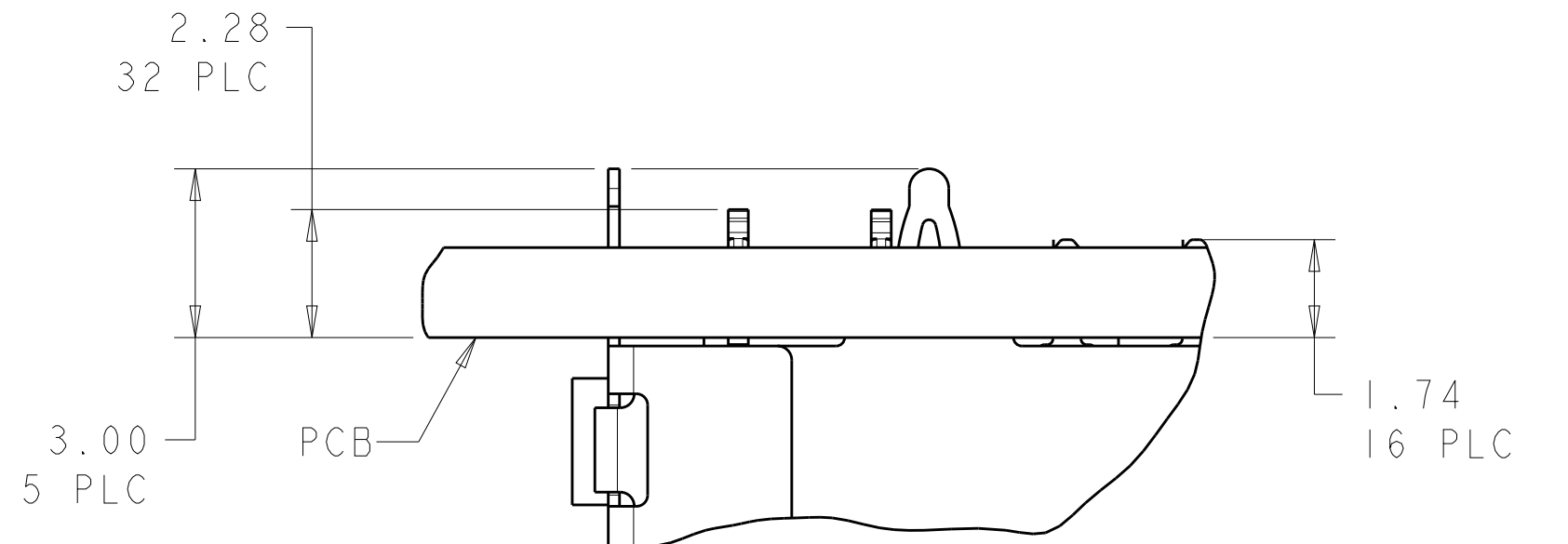
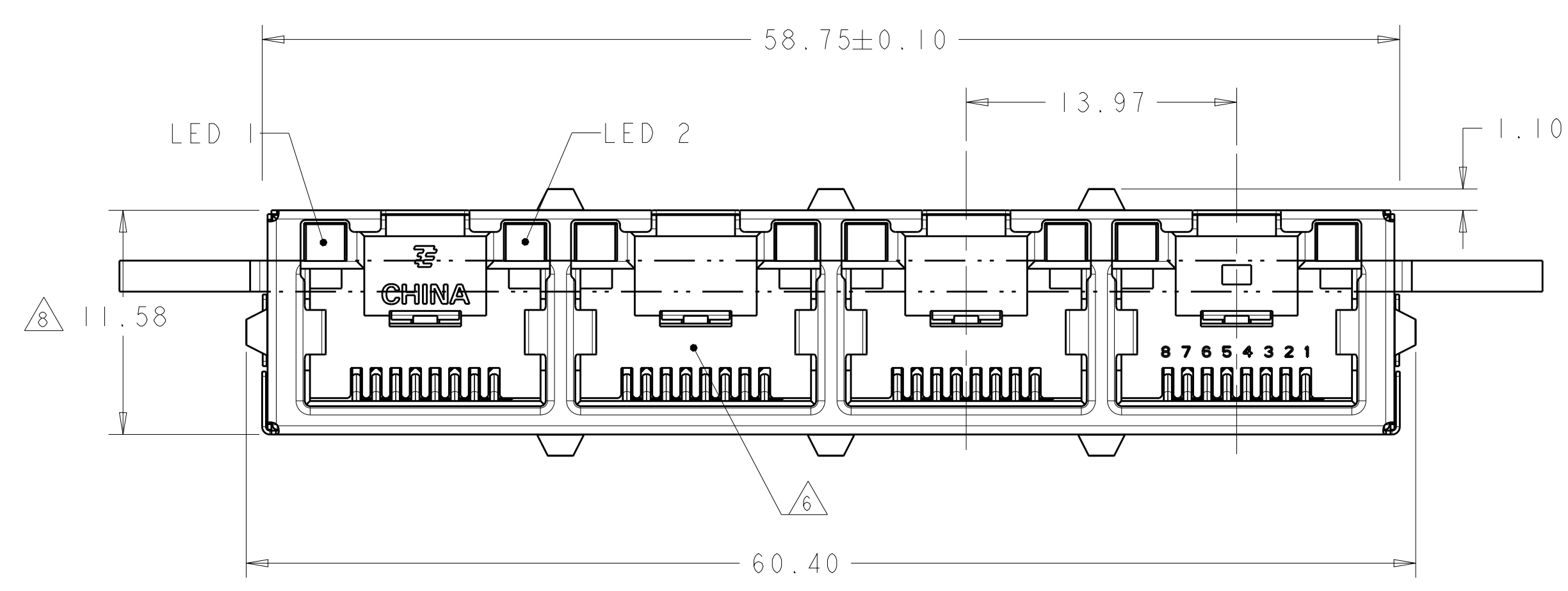


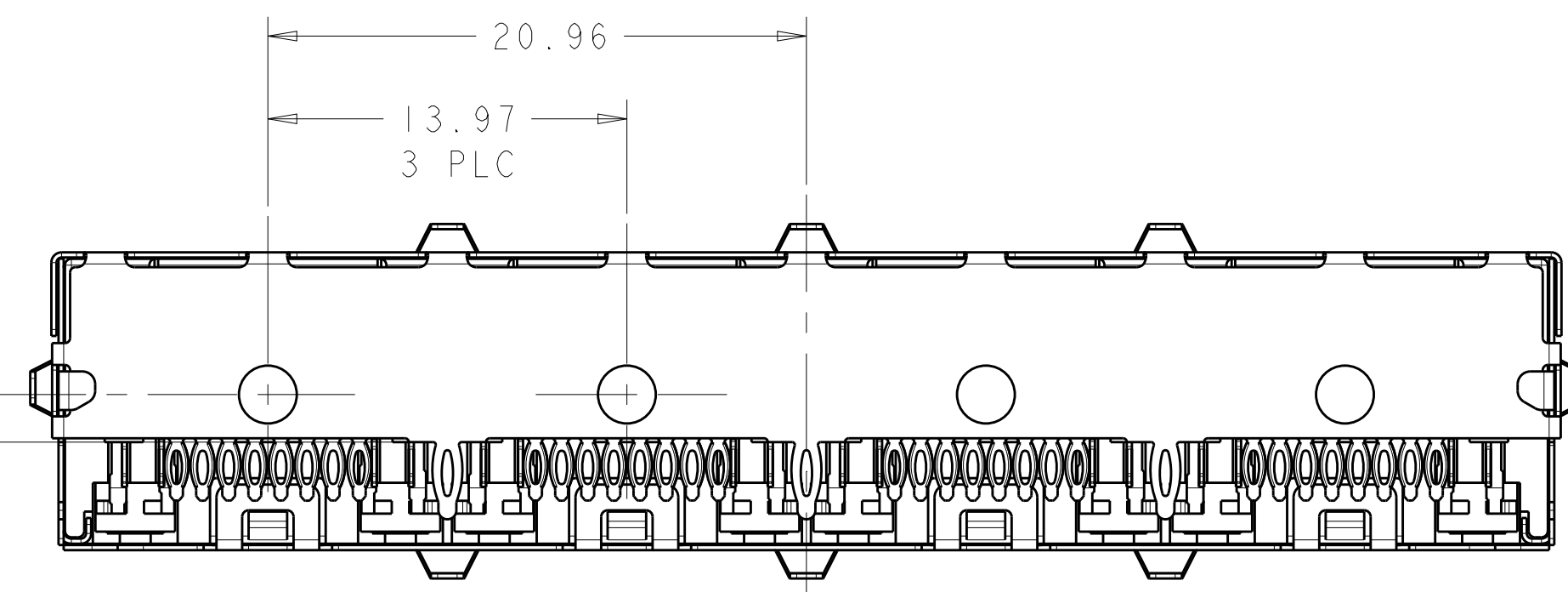
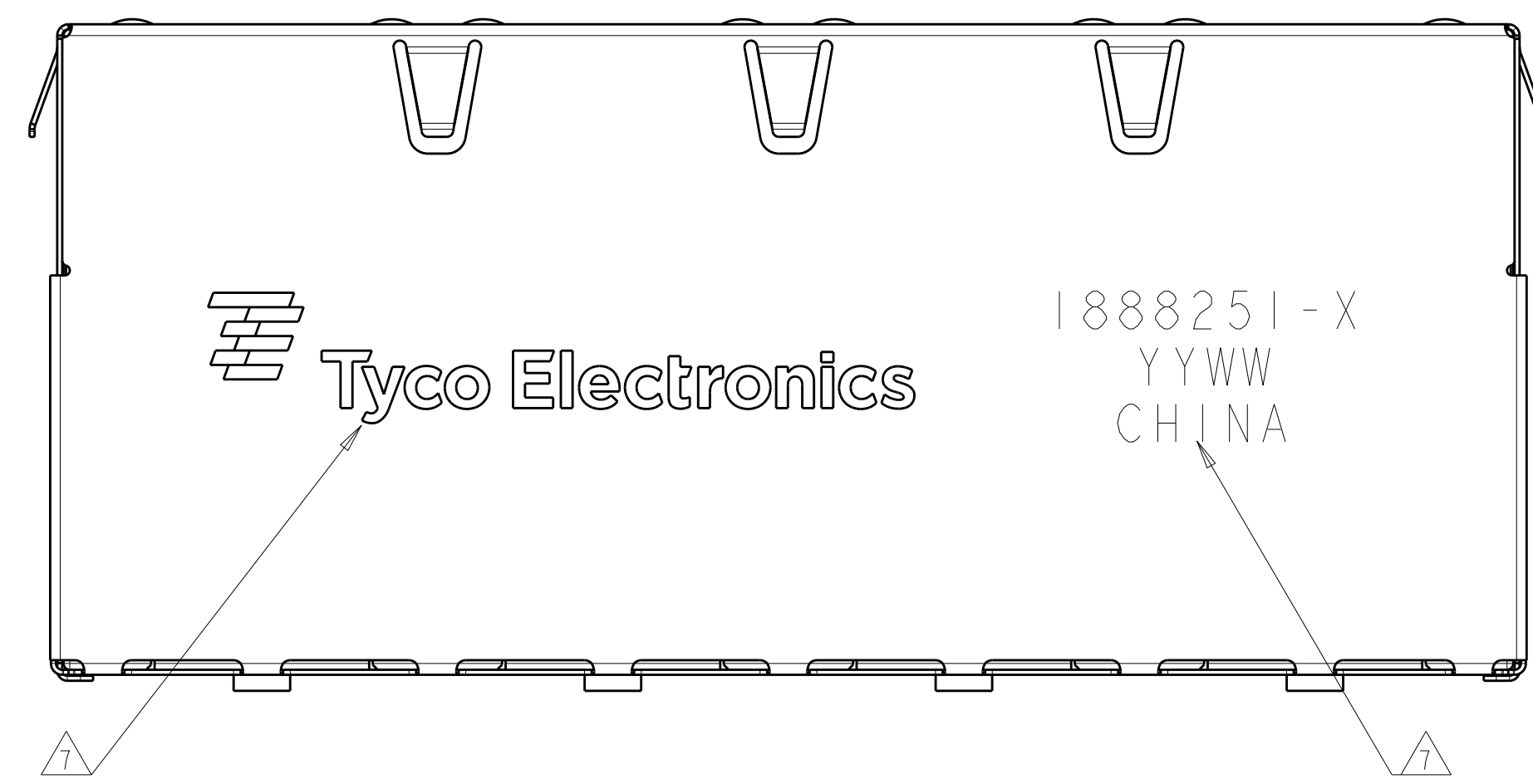
LOC		DIST		REVISIONS			
AA	00	P.	LTN	DESCRIPTION	DATE	DMN	APVD
		B6		REVISED PER ECO-11-005033	18MAR2011	RK	HMR
		C		ECO-18-005828	21MAR2018	LL	SH



VIEW SHOWN ASSEMBLED TO PCB ONLY



DETAIL G SCALE 8:1



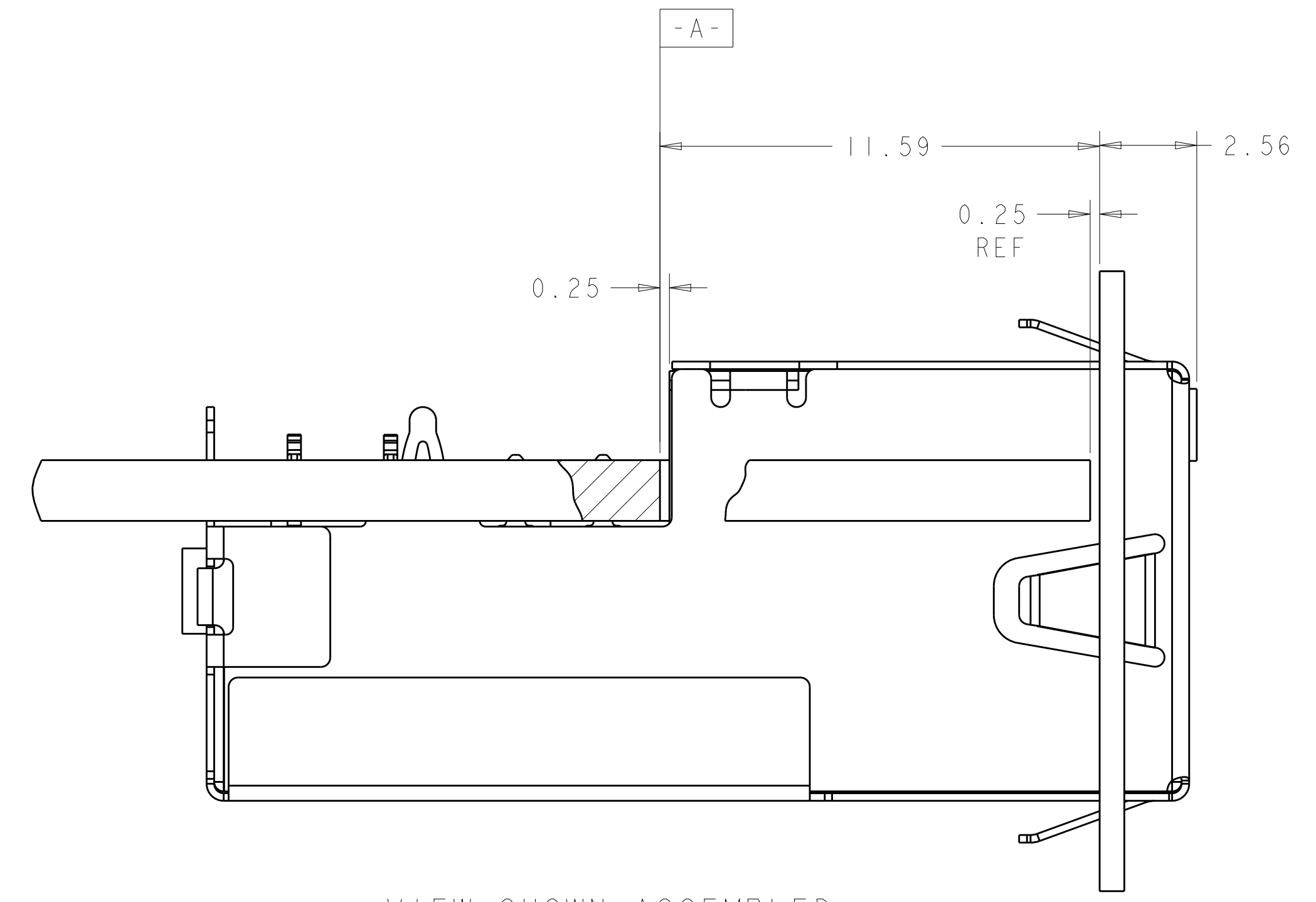
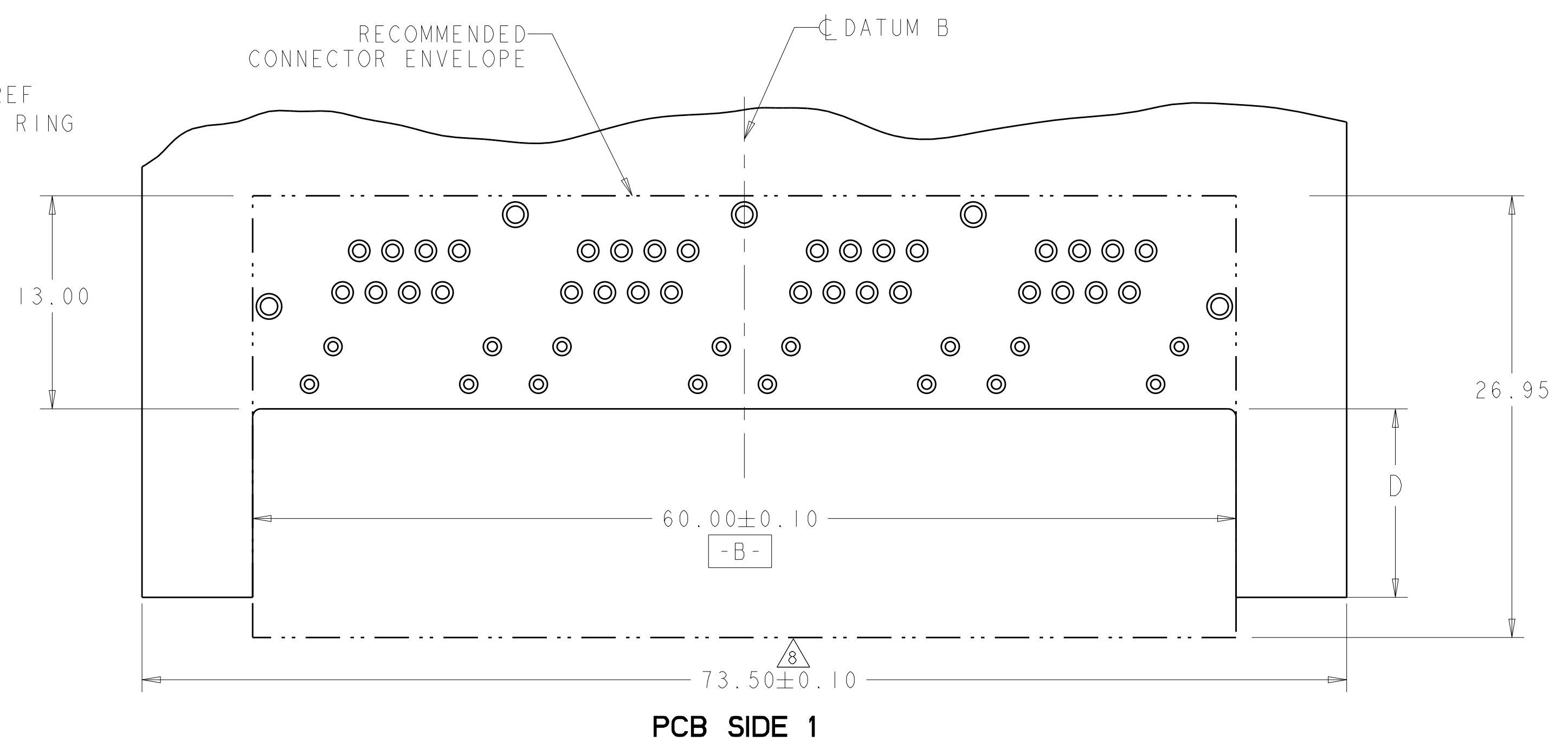
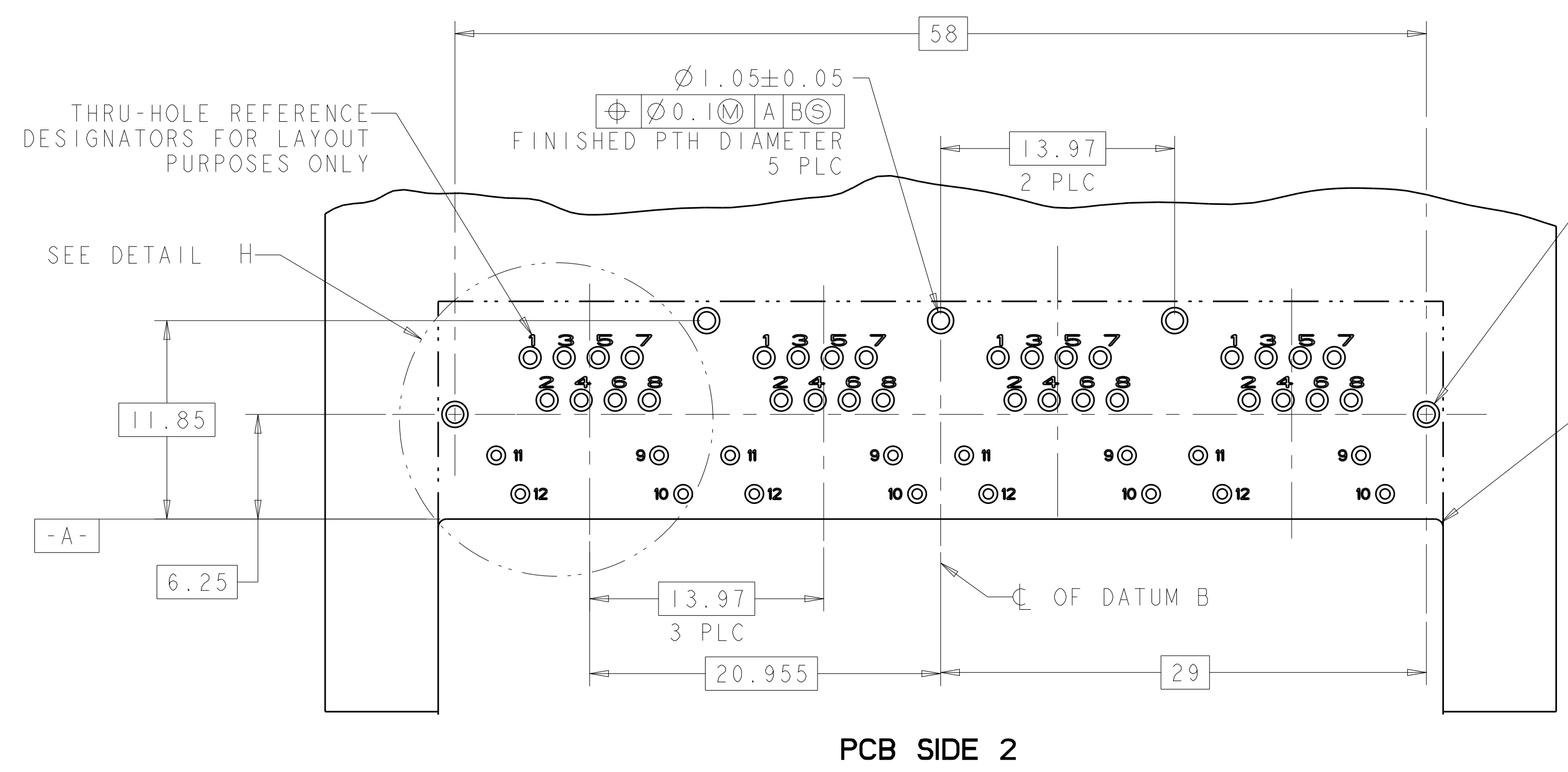
- MATERIALS:  
 HOUSING: BLACK PBT, 94V-0.  
 OVERMOLDED INSERT: BLACK LCP, 94V-0.  
 SHIELD: COPPER ALLOY WITH 0.76µm MIN NICKEL PLATE  
 CONTACTS: PHOSPHOR BRONZE WITH 1.27µm MIN GOLD AT MATING INTERFACE OVER 1.27µm MIN NICKEL UNDERPLATE.
  - PERFORMANCE:  
 INSERTION LOSS: 0.4dB @ 100 MHz.  
 RETURN LOSS: 12.0dB @ 100 MHz.  
 CROSSTALK ATTENUATION: -43dB MINIMUM @ 100MHz
  - LED'S COMPLIANT WITH IEC60825-1 SAFETY OF LASER PRODUCTS WHEN OPERATED AT CURRENT OF 20mA.
  - ALL DIMENSIONS NOMINAL.
  - RECOMMENDED MOTHERBOARD PCB THICKNESS: 1.60±0.16.
- ⑥ RJ45 PORT CONFORMS TO FCC RULES AND REGULATIONS PART 68 SUB-PART F.
- ⑦ TE LOGO, TE CONNECTIVITY PART NUMBER, DATE CODE AND COUNTRY OF ORIGIN TO BE MARKED IN APPROXIMATE LOCATION SHOWN.
- ⑧ THIS DIMENSION MEETS THE ADVANCED MEZZANINE CARD (AMC) SPECIFICATION.
- ⑨ LED WAVELENGTH FOR THE PN 1888251-5:  
 GREEN: 520nm ~ 525nm; YELLOW: 590nm ± 5nm.

LED #1	LED #2	PART NUMBER
GRN/YEL	GRN/YEL	1888251-5
GREEN	GREEN	1888251-4
-	-	1888251-3
GRN/YEL	GRN/YEL	1888251-2
GREEN	YELLOW	1888251-1

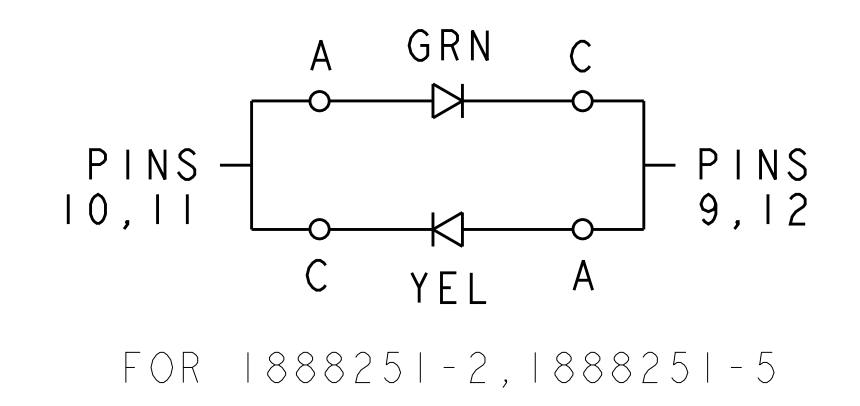
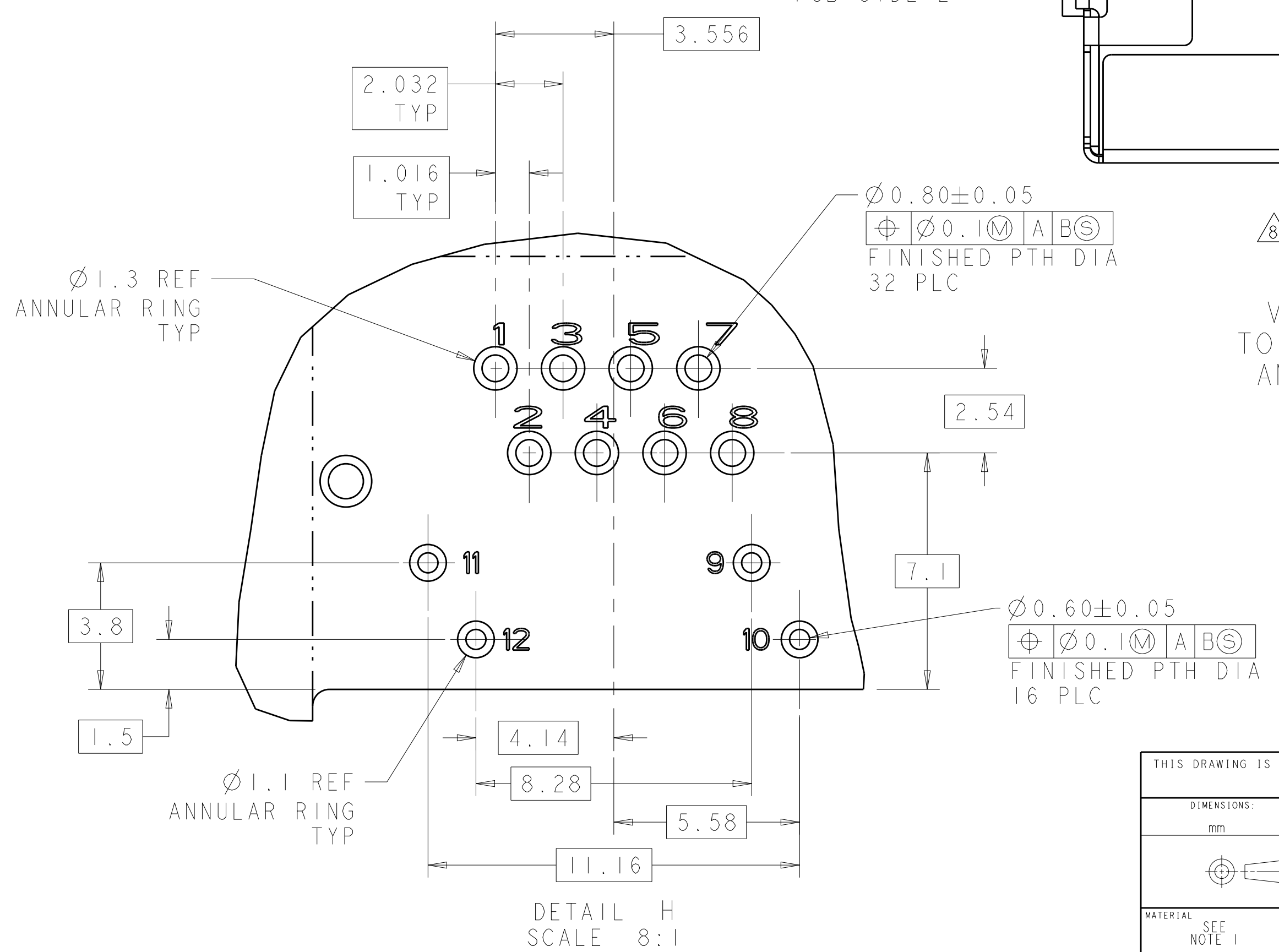
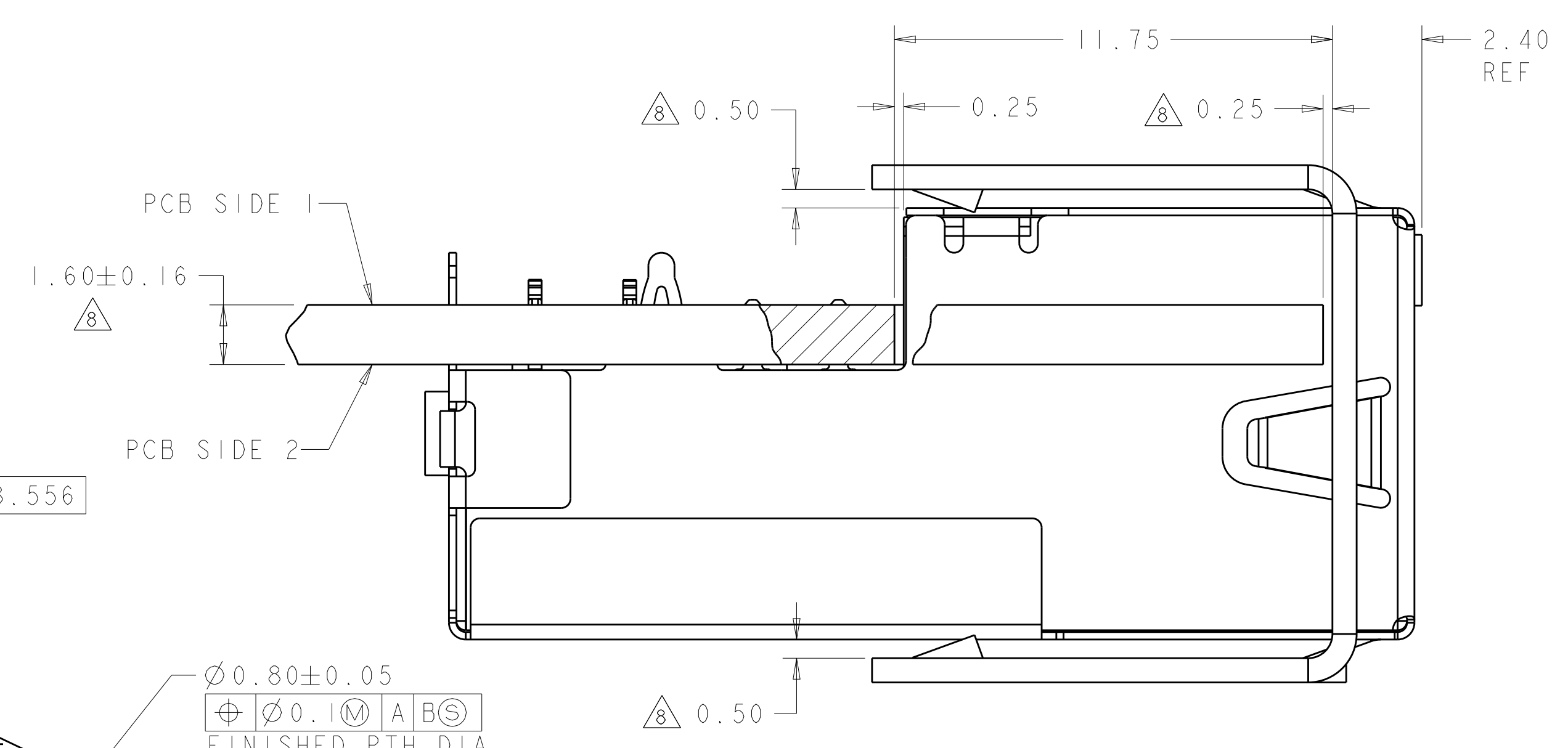
THIS DRAWING IS A CONTROLLED DOCUMENT.

DIMENSIONS:	TOLERANCES UNLESS OTHERWISE SPECIFIED:	DMN: M.E.S./L.A. WAYER 15FEB2008	CHK: J.WESTMAN 15FEB2008	APVD: S.FLICKINGER 15FEB2008
mm	0 PLC ±	NAME: CONNECTOR ASSEMBLY, LOW PROFILE, PRESS FIT, MODULAR JACK, 1X4, RJ45		
	1 PLC ±0.13	SIZE: CAGE CODE: DRAWING NO: A100779C=1888251		
	2 PLC ±	RESTRICTED TO: RESTRICTED CUSTOMER		
	3 PLC ±	SCALE: 4:1 SHEET 1 OF 3 REV C		
	4 PLC ±			
	ANGLES ±			

LOC		DIST		REVISIONS			
AA	00	P	LTN	DESCRIPTION	DATE	DMN	APVD
		-	-	SEE SHEET 1	-	-	-



STANDARD FACE PLATE	11.34
AMC MODULE FACE PLATE	11.50
PCB CUTOUT	D



	PIN #	1888251-1	1888251-2 1888251-5	1888251-3	1888251-4
LED 1	9	CATHODE (-)	ANODE (YEL), CATHODE (GRN)	-	CATHODE (-)
	10	ANODE (+)	ANODE (GRN), CATHODE (YEL)	-	ANODE (+)
LED 2	11	ANODE (+)	ANODE (GRN), CATHODE (YEL)	-	ANODE (+)
	12	CATHODE (-)	ANODE (YEL), CATHODE (GRN)	-	CATHODE (-)

THIS DRAWING IS A CONTROLLED DOCUMENT.

DMN: M.E.S./L.A. MAYER 15FEB2008

CHK: J.WESTMAN 15FEB2008

APVD: S.FELCKINGER 15FEB2008

PRODUCT SPEC

APPLICATION SPEC

114-13179

WEIGHT

RESTRICTED CUSTOMER

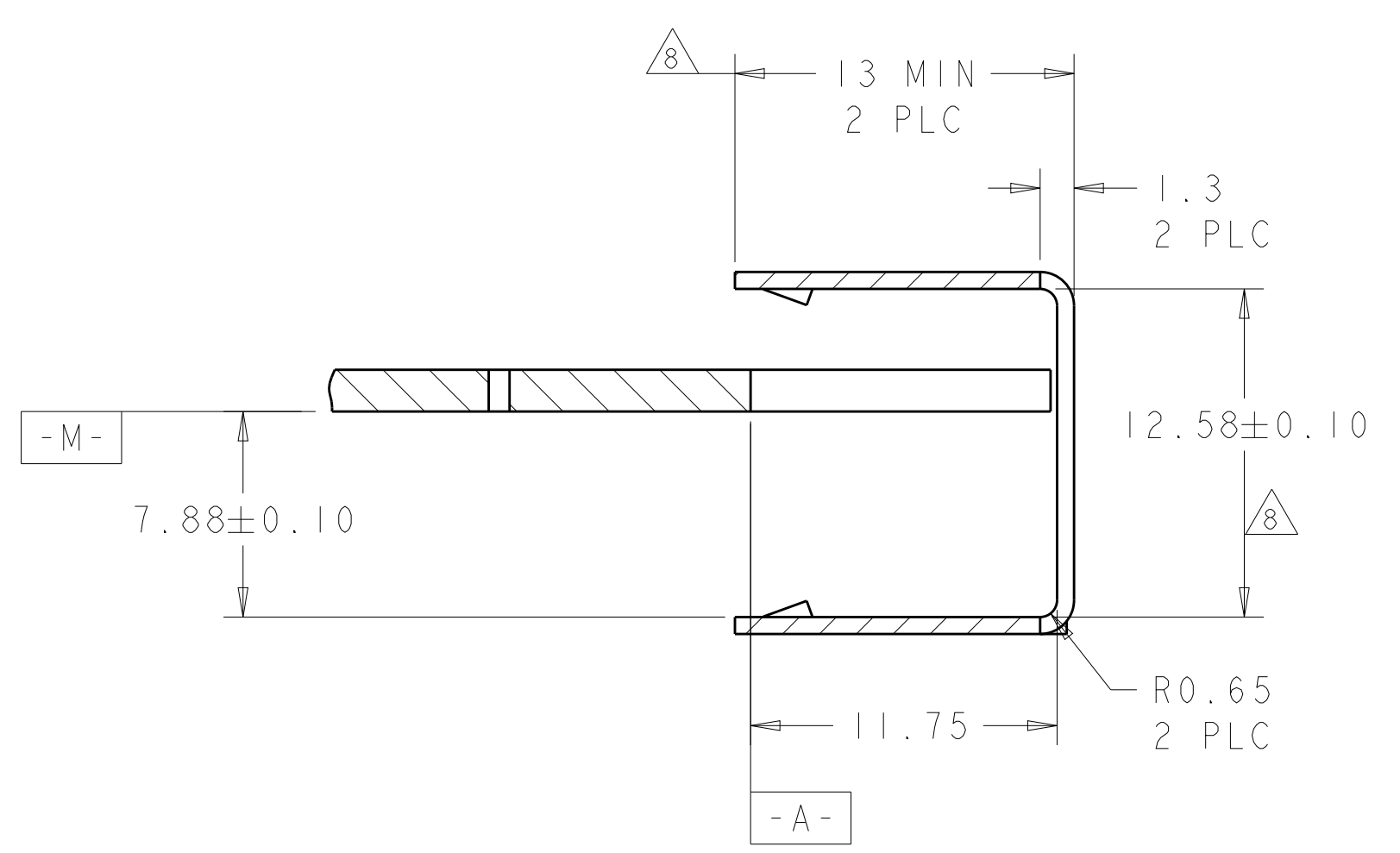
SCALE 4:1 SHEET 2 OF 3 REV C

STE TE Connectivity

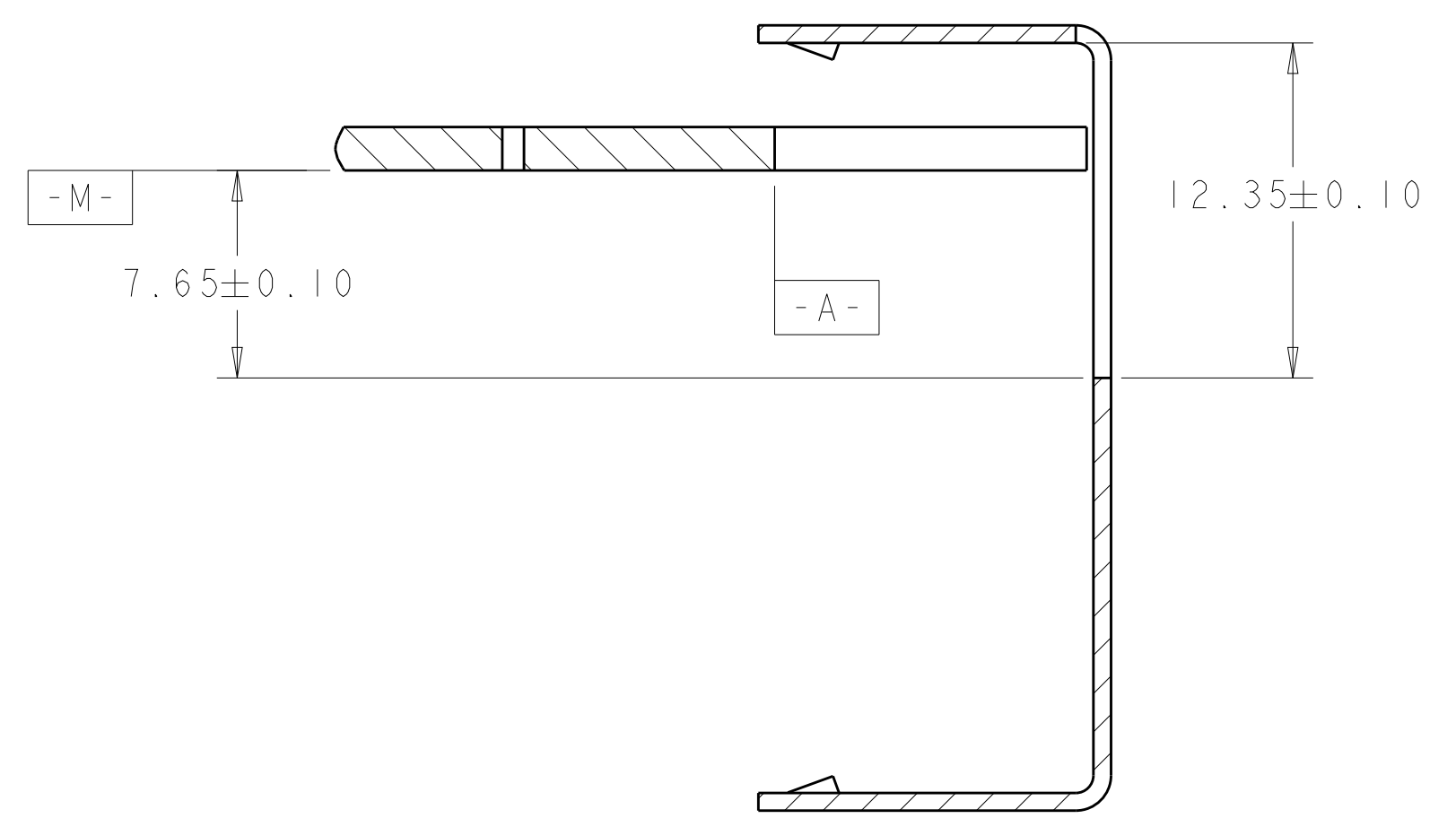
CONNECTOR ASSEMBLY, LOW PROFILE, PRESS FIT, MODULAR JACK, 1X4, RJ45

SIZE: A100779 CAGE CODE: 1888251

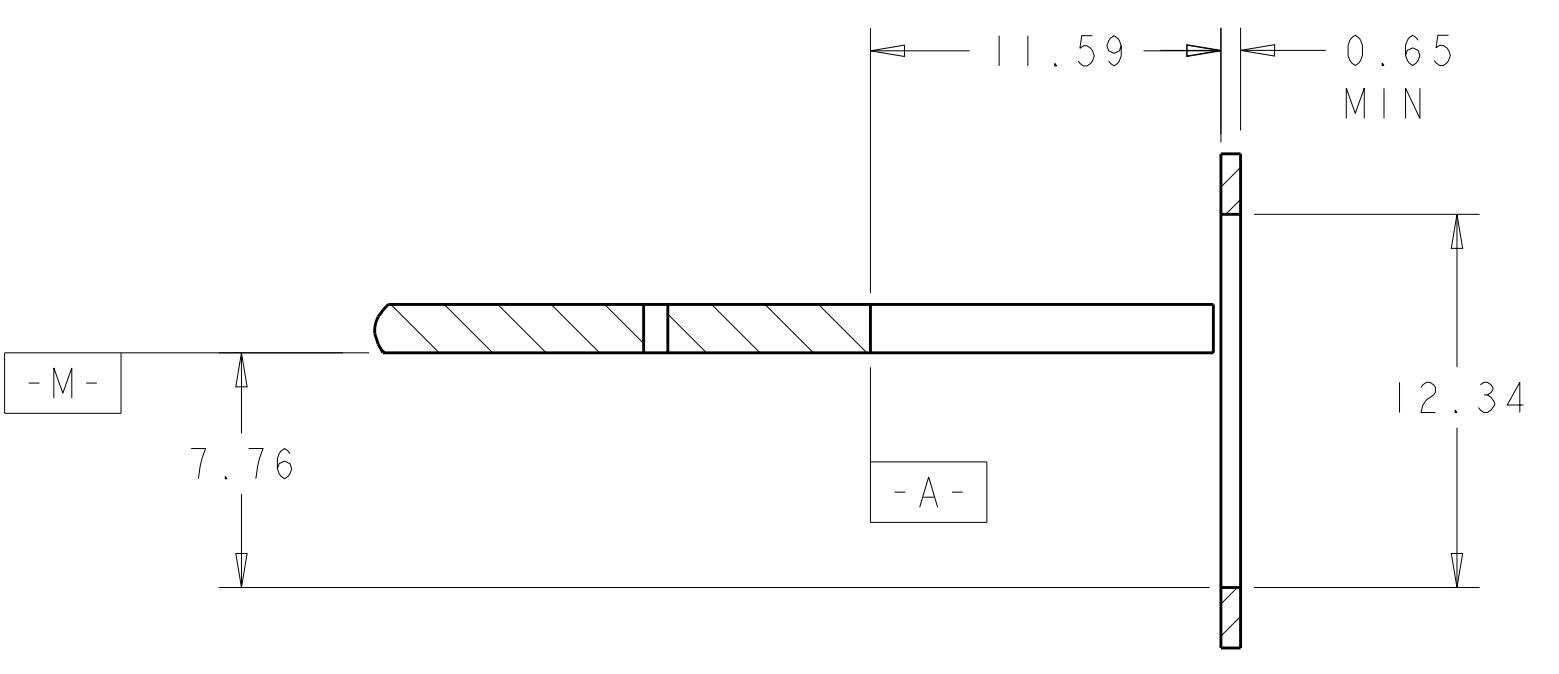
LOC	DIST	REVISIONS			
P	LTN	DESCRIPTION	DATE	DMN	APVD
-	-	SEE SHEET 1	-	-	-



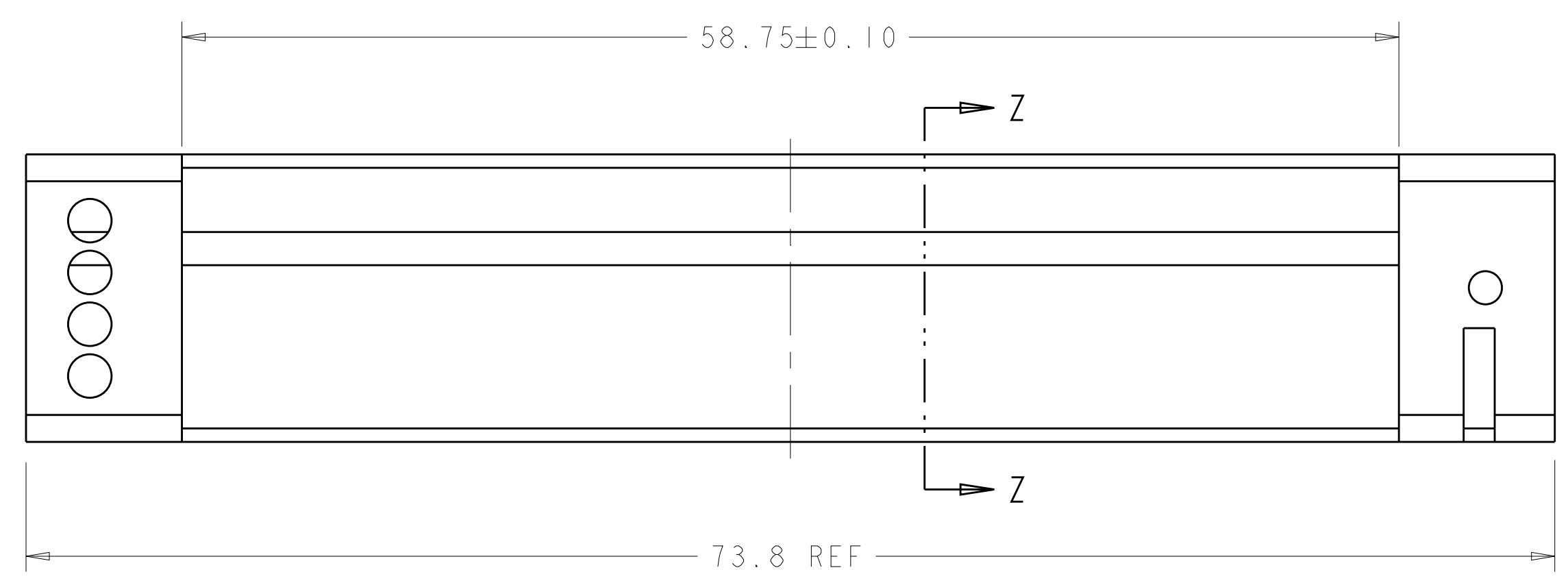
SECTION Z-Z



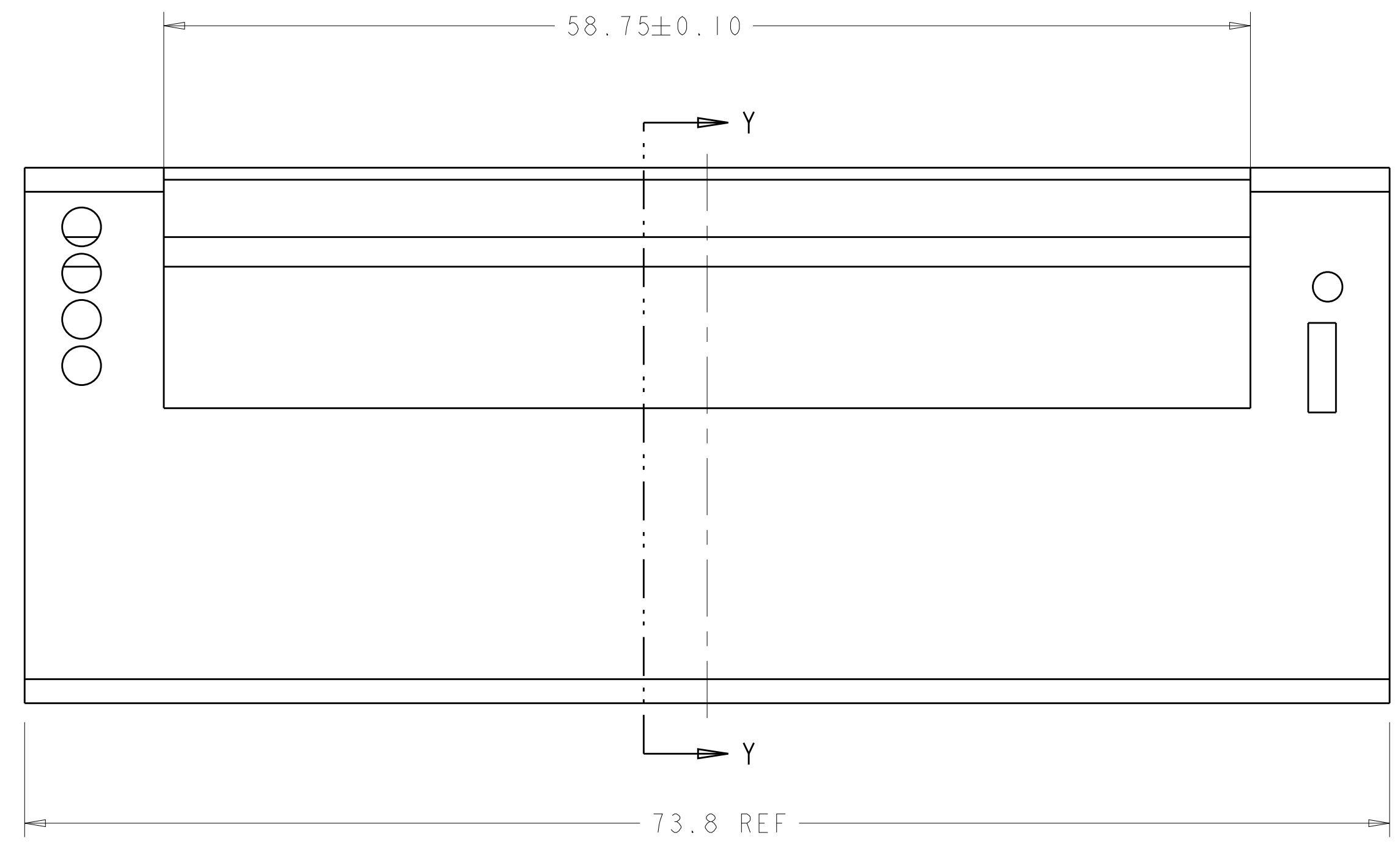
SECTION Y-Y



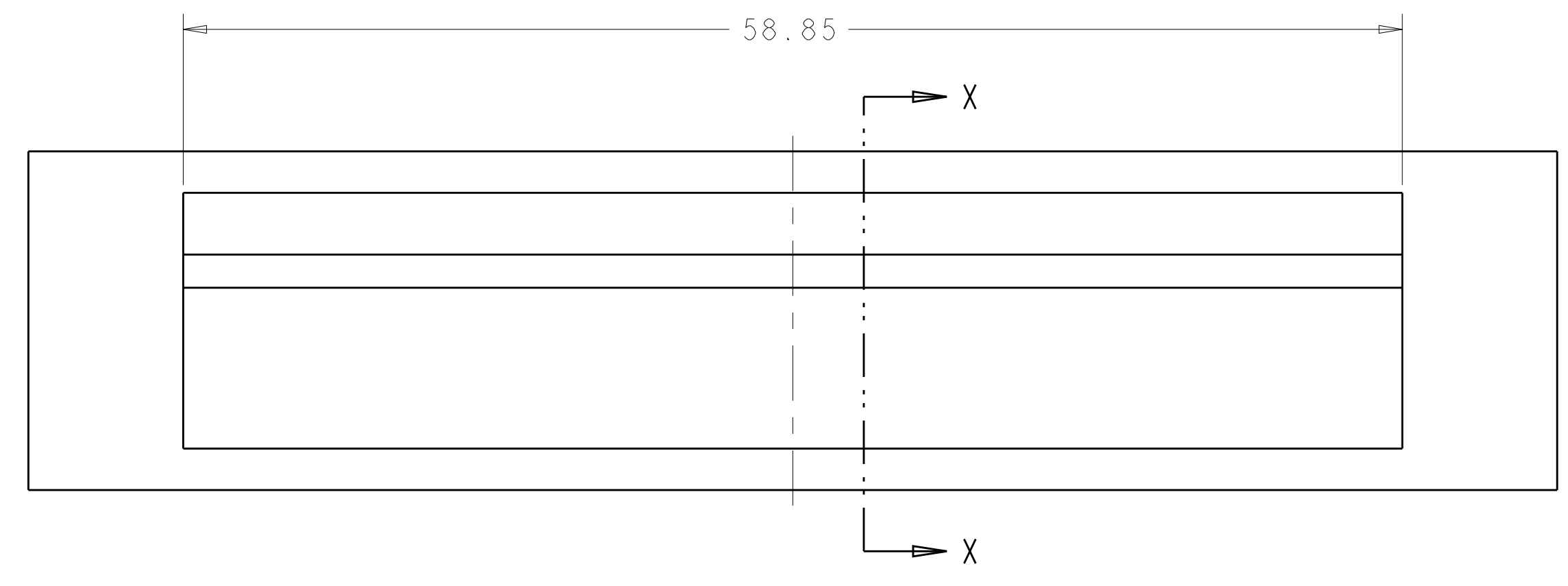
SECTION X-X



AMC SINGLE WIDTH, HALF HEIGHT MODULE FACE PLATE



AMC SINGLE WIDTH, FULL HEIGHT MODULE FACE PLATE



STANDARD FACE PLATE

THIS DRAWING IS A CONTROLLED DOCUMENT.		DMN	M.E.S./L.A. WAYER	15FEB2008	TE Connectivity
DIMENSIONS:		CHK	J. WESTMAN	15FEB2008	
mm	TOLERANCES UNLESS OTHERWISE SPECIFIED:	APVD	S. FLICKINGER	15FEB2008	NAME
	0 PLC ± 1 PLC ± 2 PLC ±0.13 3 PLC ± 4 PLC ± ANGLES ±°	PRODUCT SPEC	CONNECTOR ASSEMBLY, LOW PROFILE, PRESS FIT, MODULAR JACK, 1X4, RJ45		RESTRICTED TO
MATERIAL	FINISH	APPLICATION SPEC	SIZE	CAGE CODE	DRAWING NO
SEE NOTE 1	SEE NOTE 1	114-13179	A100779	C=1888251	RESTRICTED CUSTOMER
4805 (3/11)		WEIGHT	SCALE	4:1	SHEET 3 OF 3
		RESTRICTED CUSTOMER	REV	C	

# Mouser Electronics

Authorized Distributor

Click to View Pricing, Inventory, Delivery & Lifecycle Information:

[TE Connectivity:](#)

[1888251-2](#)