

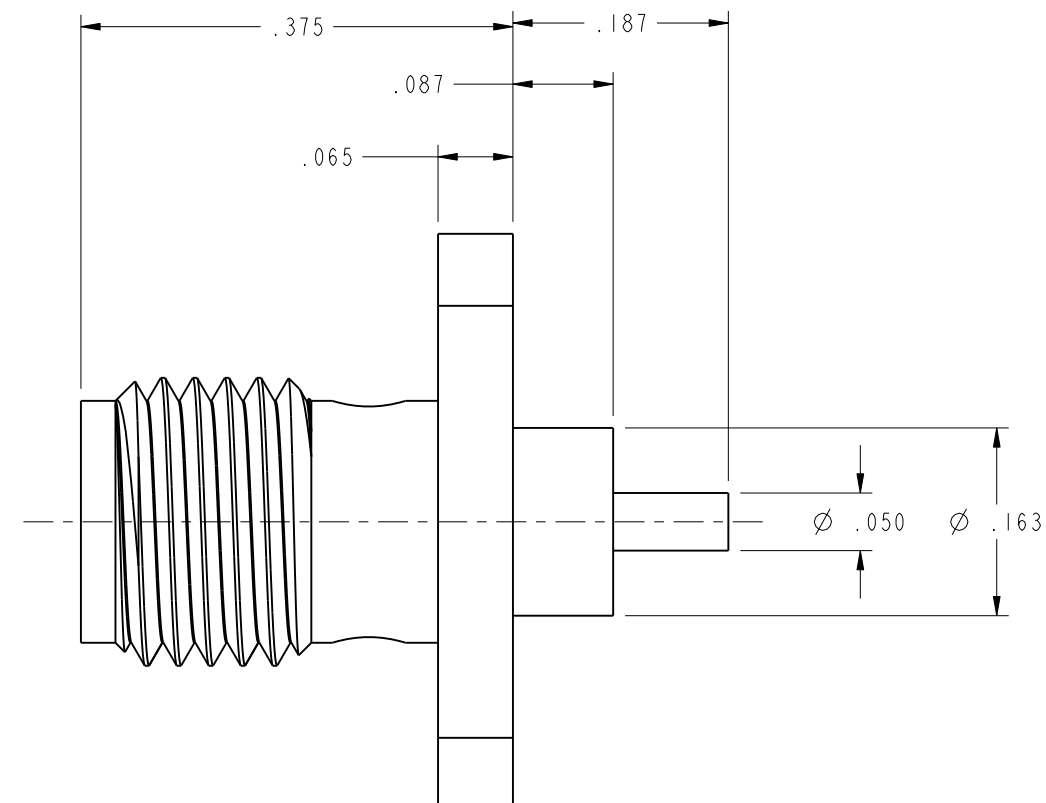
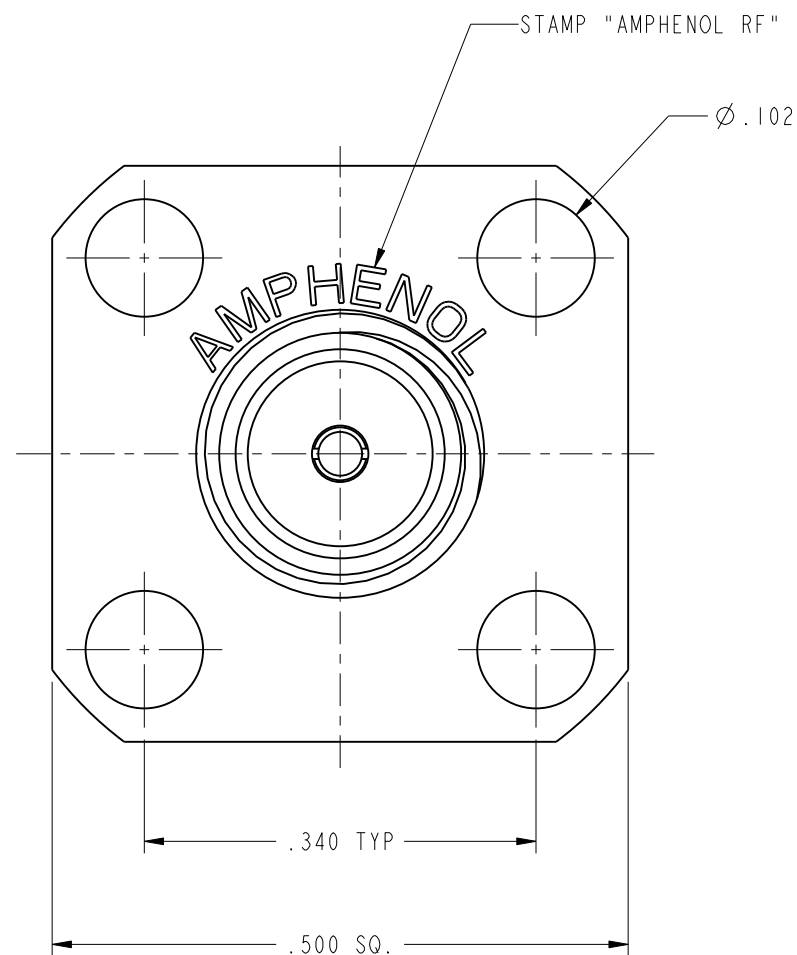
NOTES:

1. MATERIALS AND FINISHES:
 BODY - STAINLESS STEEL, PASSIVATED
 CONTACT - BeCu, GOLD PLATING (.000050 MIN THICK)
 INSULATOR - PTFE
2. ELECTRICAL:
 A. IMPEDANCE: 50 OHM
 B. FREQUENCY RANGE: DC - 18 GHz
 C. DIELECTRIC WITHSTANDING VOLTAGE: 1,000 VRMS, MIN.
3. MECHANICAL:
 A. DURABILITY: 500 CYCLES MIN.
 B. TEMPERATURE RANGE: -65° C TO +165° C
4. PACKAGING:
 A. QUANTITY: SINGLE PACK
 B. MARKING: BAG TO BE MARKED
 "AMPHENOL, 901-9184-CCSF, AND DATE CODE"

THIRD ANGLE PROJ.

REVISIONS

REV	DESCRIPTION	DATE	ECO	APPR
--	RELEASE TO MFG	-----	-----	-----
B	SEE SHEET 1	5/11/10	48064	CPM



CUSTOMER OUTLINE DRAWING

ALL OTHER SHEETS ARE FOR INTERNAL USE ONLY

UNLESS OTHERWISE SPECIFIED, DIMENSIONS ARE IN METRIC AND TOLERANCES ARE:
 <0.5mm ± 0.05mm 0.5 - 6mm ± 0.1mm 6 - 30mm ± 0.2mm 30 - 120mm ± 0.3mm ANGLES ± 1°

NOTICE - These drawings, specifications, or other data (1) are, and remain the property of Amphenol corp. (2) must be returned upon request; and (3) are confidential and not to be disclosed to any person other than those to whom they are given by Amphenol Corp. the furnishing of these drawings, specifications, or other data by Amphenol Corp., or to any other person to anyone for any purpose is not to be regarded by implication or otherwise in any manner licensing, granting rights to permitting such holder or any other sperson to manufacture, use or sell any product, process or design, patented or otherwise, that may in any way be related to or disclosed by said drawings, specifications, or other data.

MATERIAL	DRAWN C. McGRATH	DATE 08-Apr-10	TITLE ASSEMBLY SMA, JACK	Amphenol RF Danbury CT USA, Tainan, Taiwan, Shenzhen, China www.amphenolrf.com
REFERENCE AND CONFIGURATION LEVEL: Prototype	ENGINEER K. CAPOZZI	DATE 08-Apr-10		
FINISH	APPROVED K. CAPOZZI	DATE 5/11/10	SCALE: 3.0:1.0	SHEET 2 OF 2
	Root Folder/SMA/901-9184-CCSF		DWG SIZE B	REV B
				DRAWING NO. 901-9184-CCSF
				ITEM NO. 901-9184-CCSF
				PART NO. 901-9184-CCSF

Mouser Electronics

Authorized Distributor

Click to View Pricing, Inventory, Delivery & Lifecycle Information:

[Amphenol:](#)

[901-9184-CCSF](#)