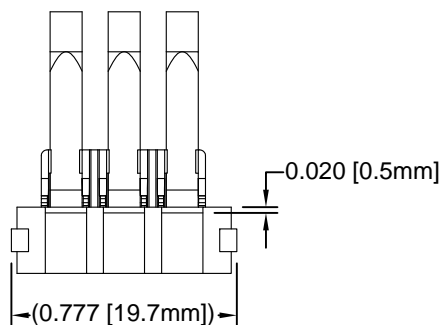
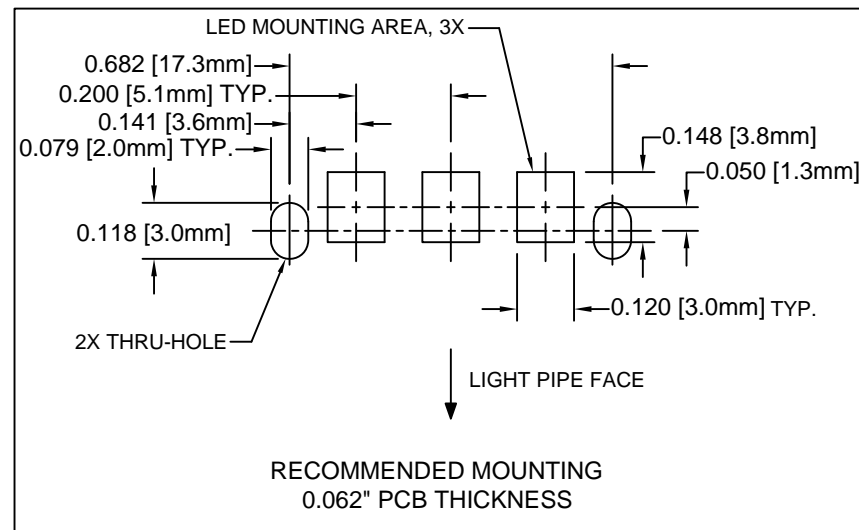
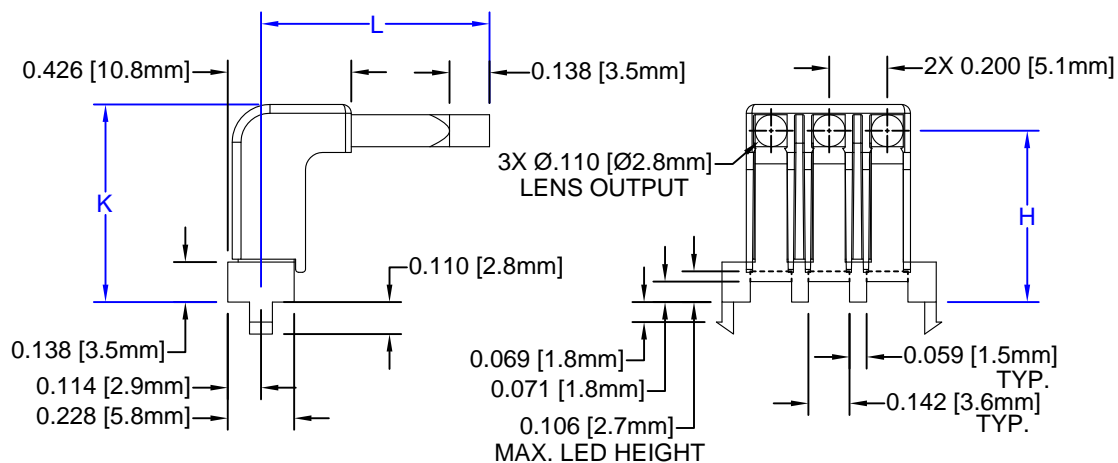
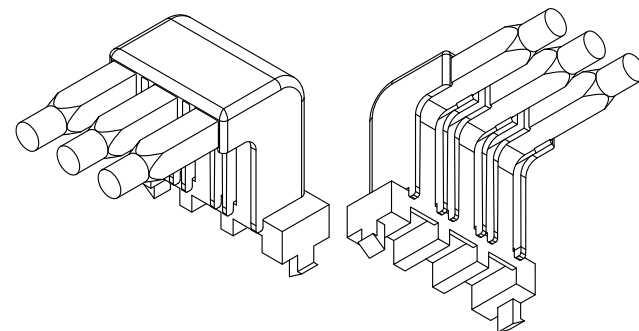
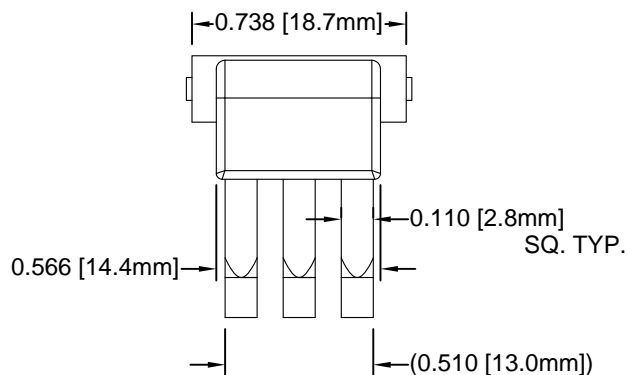


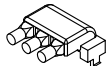
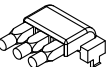

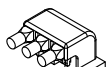
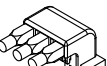


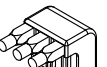
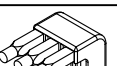
ITEM	QTY	PART NUMBER	PART DESCRIPTION
1	1	LPR3-XXX-XXX	Surface Mount Right Angle Light Pipe, 2.8mm, 3 Station. See Table on 2nd Page
2	1	RLPH3-XXX	LPR Housing, 3 Station, White. See Table on 2nd Page


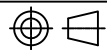
REV.	DESCRIPTION	DATE	APPROVED
A	Engineering Release	11/06/09	T. Y.
B	Added Overall Height "K" Dim	03/04/11	T. Y.
C	Added Overall Snap Height Dimension	08/15/12	T. Y.
D	Added Color Options, Sheet #3	02/02/16	J. C.



STANDARD TOLERANCE (UNLESS OTHERWISE SPECIFIED)		BIVAR®	
DECIMALS	ANGULAR	4 THOMAS, IRVINE, CA. 92618	
.X ± .1	X° ± 1°	TEL: (949) 951-8808 FAX: (949) 951-3974	
.XX ± .01		TITLE: RIGHT ANGLE LIGHT PIPE, 2.8MM, 3 STATION	
.XXX ± .010		PART NO: RLP3-XXX-XXX	REVISION: D
DESIGNED: <b>Raffy Paje</b>	DATE: <b>11/06/09</b>	CAGE CODE : 32559	SHEET # 1 OF 3
CHECKED: <b>T. Yin</b>	DATE: <b>11/06/09</b>	CAD GENERATED DOCUMENT. DO NOT MEASURE DRAWING.	

REV.	DESCRIPTION	DATE	APPROVED
	SEE SHEET #1		

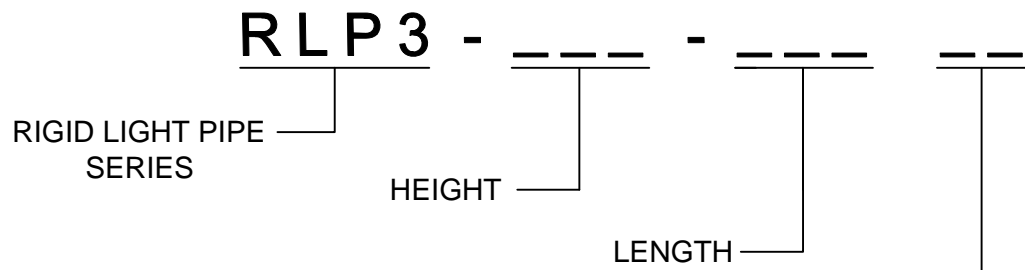
RLP3-XXX-XXX						
ASSY P/N	H	L	K	LPR3-XXX-XXX	RLPH3-XXX	FIGURE
RLP3-200-500	0.197 [5.0mm]	0.551 [14.0mm]	0.287 [7.3mm]	LPR3-200-500	RLPH3-200	
RLP3-200-650		0.669 [17.0mm]		LPR3-200-650	RLPH3-200	
RLP3-200-800		0.787 [20.0mm]		LPR3-200-800	RLPH3-200	
RLP3-400-500	0.394 [10.0mm]	0.551 [14.0mm]	0.484 [12.3mm]	LPR3-400-500	RLPH3-400	
RLP3-400-650		0.669 [17.0mm]		LPR3-400-650	RLPH3-400	
RLP3-400-800		0.787 [20.0mm]		LPR3-400-800	RPH3-400	
RLP3-600-500	0.591 [15.0mm]	0.551 [14.0mm]	0.681 [17.3mm]	LPR3-600-500	RLPH3-600	
RLP3-600-650		0.669 [17.0mm]		LPR3-600-650	RLPH3-600	
RLP3-600-800		0.787 [20.0mm]		LPR3-600-800	RLPH3-600	

STANDARD TOLERANCE (UNLESS OTHERWISE SPECIFIED)		 4 THOMAS, IRVINE, CA. 92618 TEL: (949) 951-8808 FAX: (949) 951-3974	
DECIMALS	ANGULAR		
.X ± .1	X° ± 1°		TITLE: RIGHT ANGLE LIGHT PIPE, 2.8MM, 3 STATION
.XX ± .01			DESIGNED: Raffy Paje
.XXX ± .010		CHECKED: T. Yin	DATE: 11/06/09
		PART NO: RLP3-XXX-XXX	REVISION: D
		CAGE CODE : 32559	SHEET # 2 OF 3
CAD GENERATED DOCUMENT. DO NOT MEASURE DRAWING.			

**OTHER AVAILABLE COLORS**

\* SEE TABLE FOR ORDERING INFORMATION


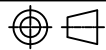
REV.	DESCRIPTION	DATE	APPROVED
	SEE SHEET #1		



COLOR	Order Code
BLUE	BE
BLACK	BK
GREEN	GN
GRAY	GY
RED	RD
YELLOW	YW

NOTE: LEAVE ORDER CODE BLANK IF NO COLOR IS DESIRED.

- 2. ONLY LIGHT PIPES OF ASSEMBLIES WILL BE DYED.
- 1. PARTS ARE DYED TO COLOR UPON REQUEST.

STANDARD TOLERANCE ( UNLESS OTHERWISE SPECIFIED ) DECIMALS                      ANGULAR		 4 THOMAS, IRVINE, CA. 92618 TEL: (949) 951-8808    FAX: (949) 951-3974	
			
DESIGNED: <b>K. Aukshunas</b>	DATE: <b>01/25/16</b>	<b>TITLE:</b> RIGHT ANGLE LIGHT PIPE, 2.8MM, 3 STATION	
CHECKED: <b>J. Chiang</b>	DATE: <b>01/25/16</b>	<b>PART NO:</b> RLP3-XXX-XXX	REVISION: <b>D</b>
		<b>CAGE CODE : 32559</b>	<b>SHEET # 3 OF 3</b>
CAD GENERATED DOCUMENT. DO NOT MEASURE DRAWING.			

# Mouser Electronics

Authorized Distributor

Click to View Pricing, Inventory, Delivery & Lifecycle Information:

[BIVAR:](#)

[RLP3-200-500](#) [RLP3-200-650](#) [RLP3-200-800](#) [RLP3-400-500](#) [RLP3-400-650](#) [RLP3-400-800](#) [RLP3-600-500](#) [RLP3-600-650](#) [RLP3-600-800](#)