

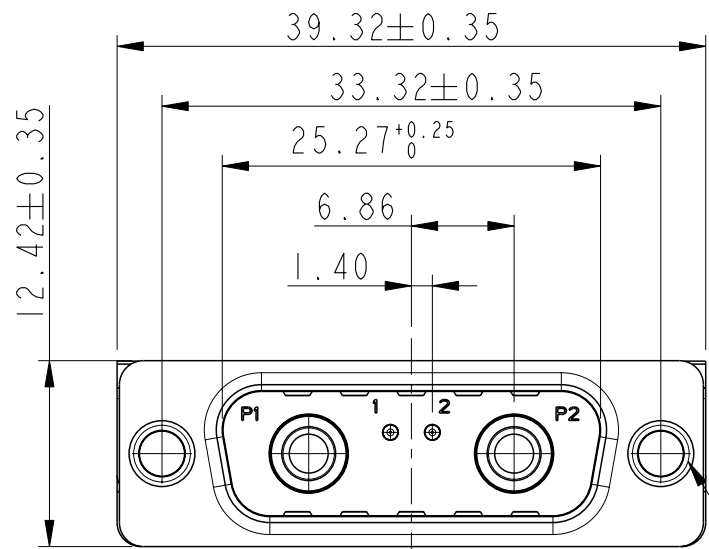
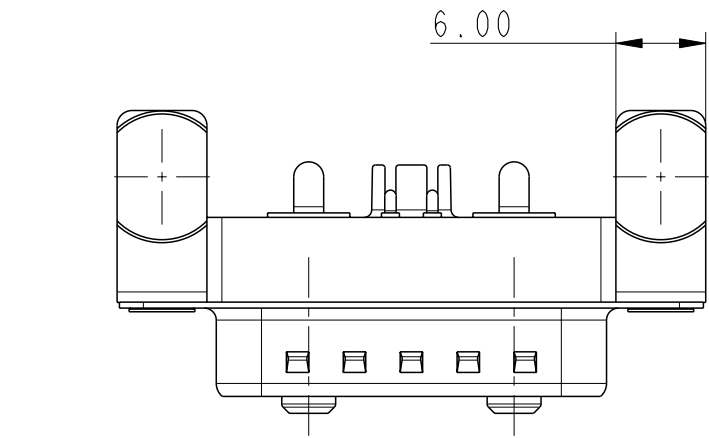
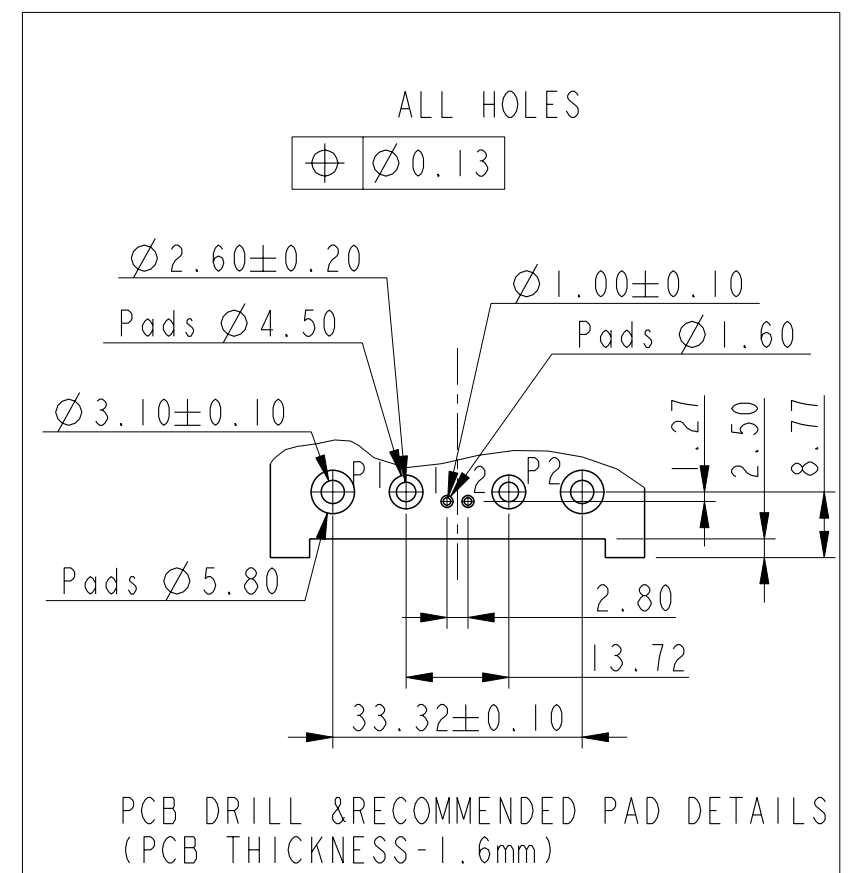
"This Product Meets European union directives & other country regulations as described in GS-22-008"

The Housing will withstand exposure to 265° peak temperature for 30 sec in a convection, infra-red or vapour reflow oven solder applications

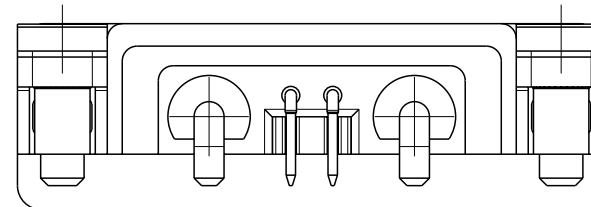
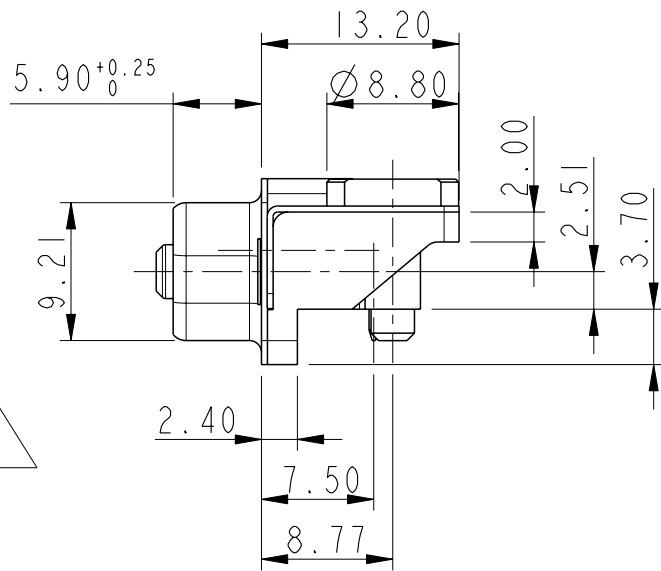
Packing as per GS 14-1104

TECHNICAL SPECIFICATIONS

- 1: MATERIAL:
 INSULATOR : High Temperature Thermoplastics
 CONTACTS : Copper alloy
 SHELLS : Steel with Nickel Plated
- 2: PLATING:
 CONTACT ACTIVE ZONE : GOLD or Equivalent (200 matings)
 TERMINATION ZONE : TIN over Cu
 HARPOON : BRASS- TIN
 THREADED INSERT : BRASS- Nickel
- 3: ELECTRICAL DATA:
 Current Rating : 48V/24A for Power contact
 : 0.375 A for signal contact
 Test Voltage : 1000V
 Contact Resistance : For Power contacts - $\leq 10m\Omega$
 : For Signal contacts - $\leq 25m\Omega$
 Insulation Resistance: 5000M Ohm
 Electrical continuity between shell and harpoon
- 4: ENVIRONMENTAL CHARACTERISTICS- ROHS Compatible
 Operating temperature : 70°C+30°C Temperature rise



THREADED INSERT



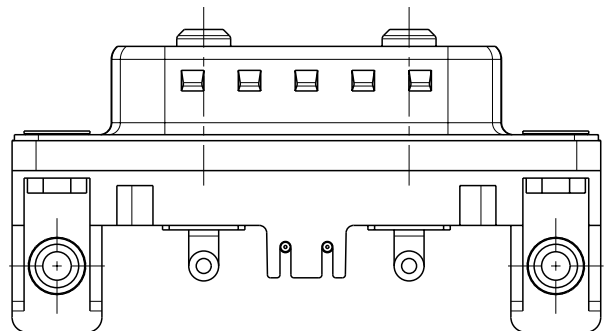
PART NO. 10070158-00412XLF

12-TAPE&REEL
 19-CARD BOX

X-UNC4-40 Threaded insert
 L-M3 Threaded Insert



Copyright FCI.



rev	ecn no	dr	date
A	107-0051	NG	2007-07-17
B	107-0163	NG	2007-11-30
C	108-0019	NG	2008-02-08
-	-	-	-
-	-	-	-
-	-	-	-

www.fciconnect.com		surface - ISO 1302	tolerance std ISO 406 ISO 1101	projection mm
TOLERANCES UNLESS OTHERWISE SPECIFIED				size A3
Dr	NIRMAL.G	2006-10-19	ANGULAR	Scale 2:1
Eng	NIRMAL.G	2008-02-07	LINEAR	ECN 108-0019
Chr	ANISH S	2008-02-08	0° ±2°	Spec ref
Appr	BIJU.K.PAUL	2008-02-08	Product family -D-SUB	
FCI			SINGLE VERSION CONNECTOR	
MicroTCA_PCB MALE -PIP 48V			dwg no 10070158-004	Rev. C
catalog no			CUSTOMER	sheet 1 of 1

Mouser Electronics

Authorized Distributor

Click to View Pricing, Inventory, Delivery & Lifecycle Information:

[FCI / Amphenol:](#)

[10070158-00419XLF](#) [10070158-00412XLF](#)