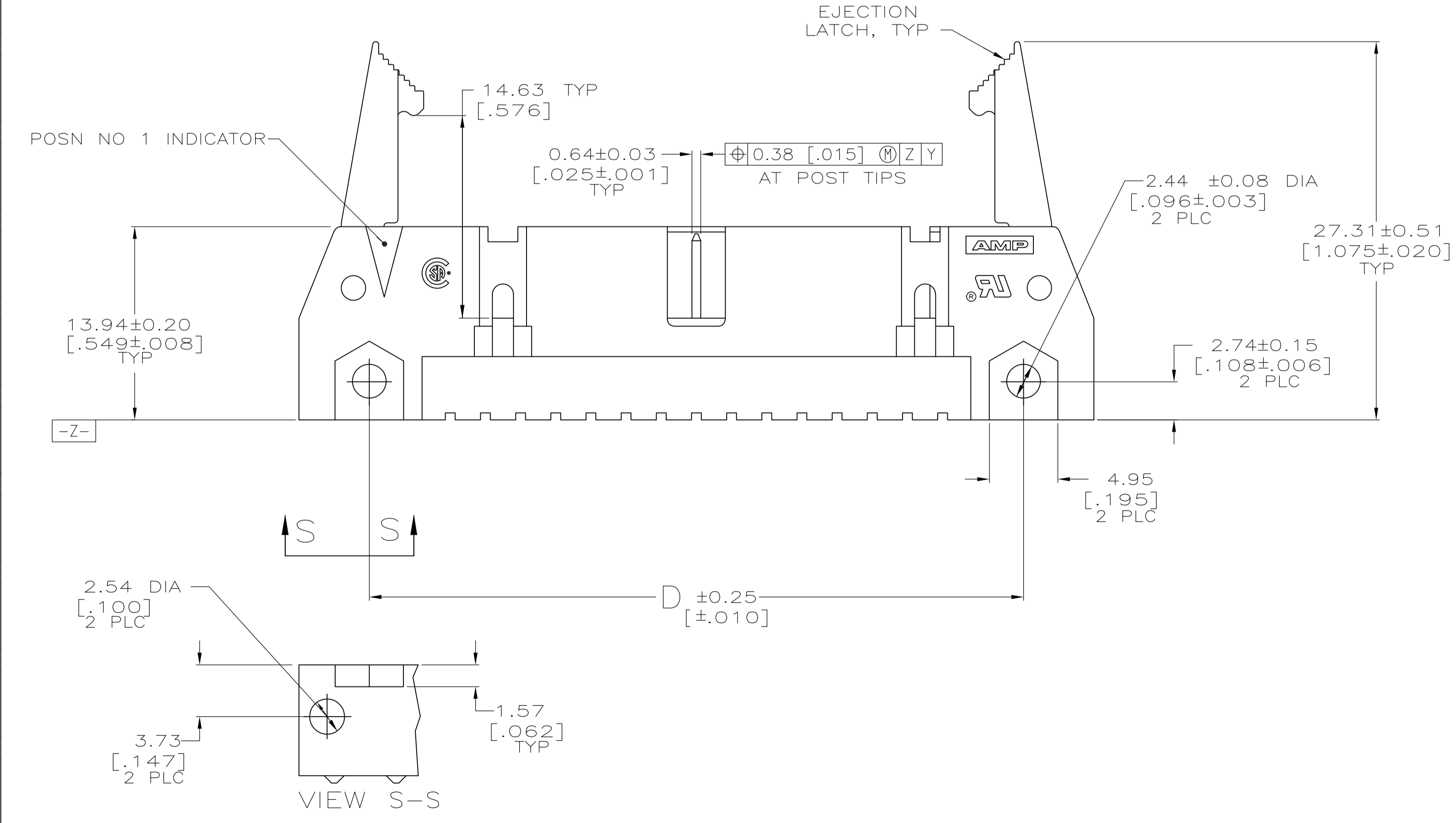
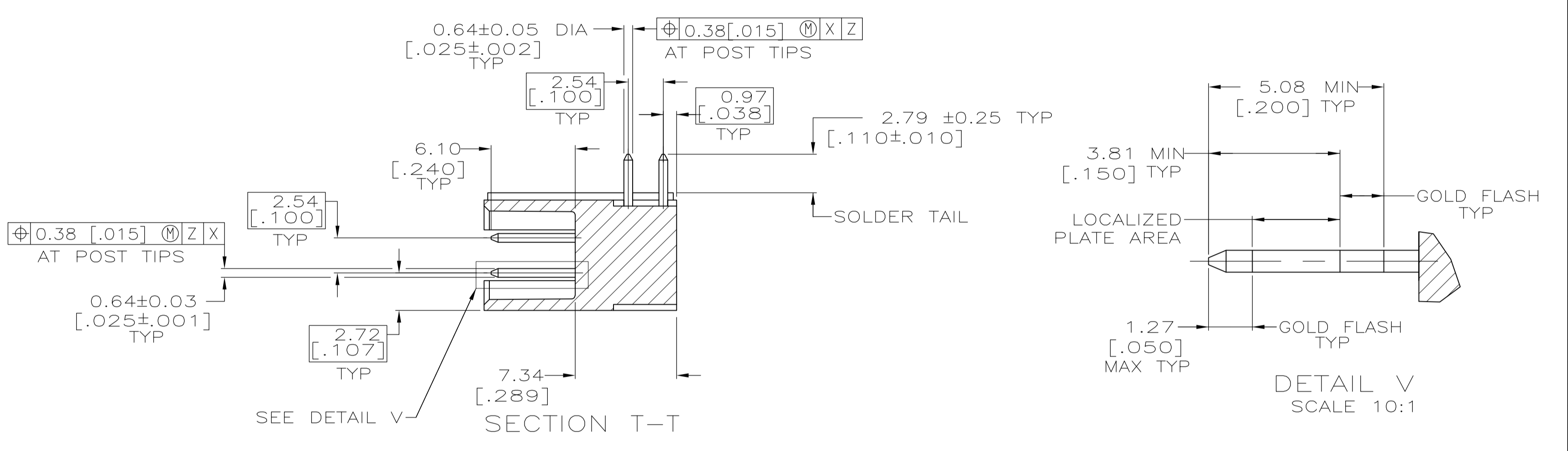
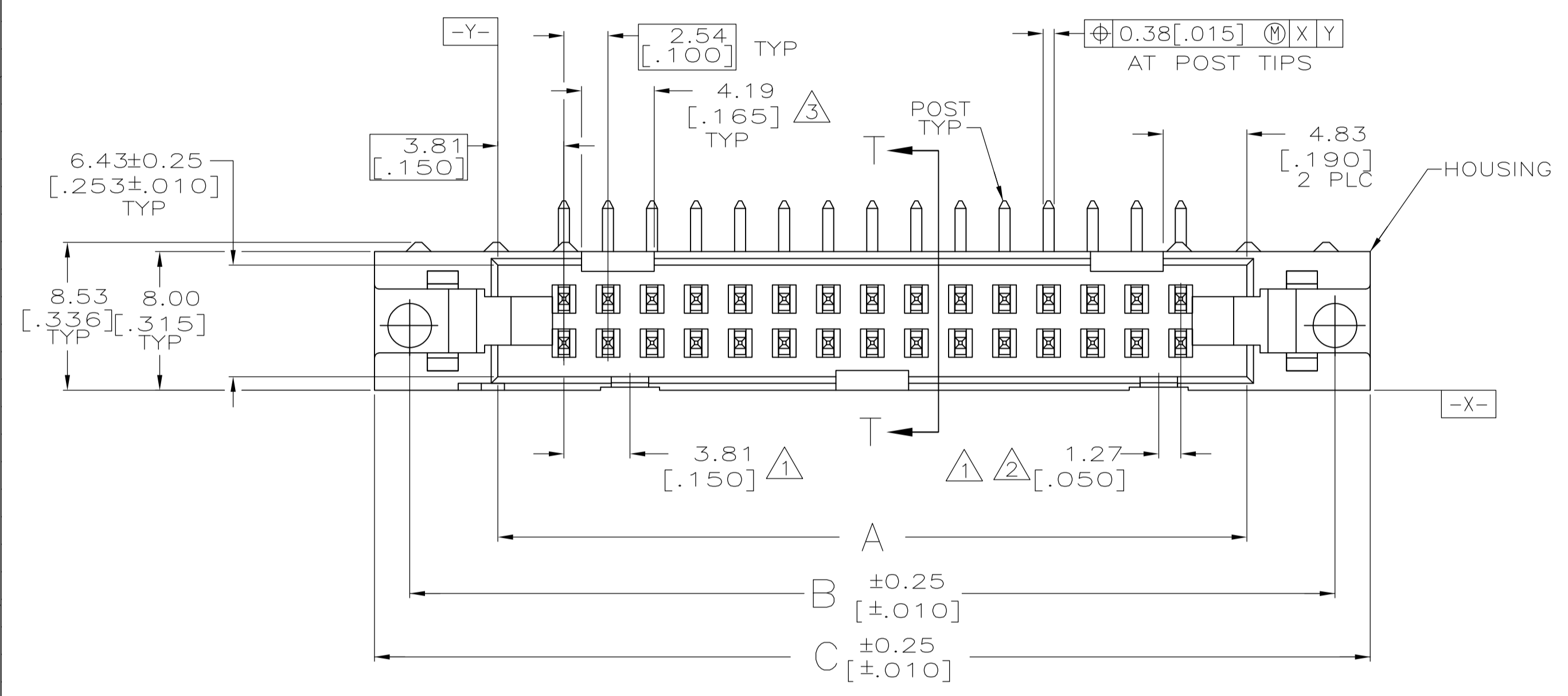


- 1. COORDINATE DIMENSION APPLIES FROM BASIC LOCATION.
- 2. 10 AND 14 POSITION SIZES CONTAIN ONLY ONE SLOT FOR SNAP-IN POLARIZER (MILITARY POLARIZATION) LOCATED AS SHOWN.
- 3. 10 POSITION SIZES CONTAIN ONLY ONE SLOT FOR DUAL POLARIZATION, LOCATED AS SHOWN.
- 4. RECOMMENDED PRINTED CIRCUIT BOARD THICKNESS IS 1.57 [.062].
- 5. DISTANCE REQUIRED BY EJECTION LATCHES IN THE OPEN POSITION.
- 6. POSTS: GOLD FLASH OVER PALLADIUM-NICKEL PLATE, 0.76µm [.000030] MIN TOTAL ON THE LOCALIZED PLATE AREA, 2.54µm [.000100] MIN TIN OR TIN-LEAD PLATE ON THE TAIL, 1.27µm [.000050] MIN NICKEL UNDERPLATE ON THE ENTIRE POST.
-OR-
0.76µm [.000030] MIN GOLD PLATE ON THE LOCALIZED PLATE AREA, 2.54µm [.000100] MIN TIN OR TIN-LEAD PLATE ON THE TAIL, 1.27µm [.000050] MIN NICKEL UNDERPLATE ON THE ENTIRE POST.
- 7. OBSOLETE PARTS: OBSOLETE CIS STREAMLINING PER D.RENAUD/D.SINISI

EJECTION LATCHES OMITTED IN THIS VIEW FOR CLARITY

RECOMMENDED PC BOARD MOUNTING DIMENSIONS SCALE 2:1



| | | | | | | | | |
|-----------------------------|------------------|------------------|------------------|-------------------|------------------|------------------|------------|-------------|
| OBSOLETE | 53.34 [2.100] | 65.02 [2.560] | 65.02 [2.560] | 75.18 [2.960] | 71.12 [2.800] | 60.96 [2.400] | 44 | 1-499141-3 |
| | 78.74 [3.100] | 90.42 [3.560] | 90.42 [3.560] | 100.58 [3.960] | 96.52 [3.800] | 86.36 [3.400] | 64 | 1-499141-2 |
| 7 SUPERSEDED BY 1-5499141-1 | 73.66 [2.900] | 85.34 [3.360] | 85.34 [3.360] | 95.50 [3.760] | 91.44 [3.600] | 81.28 [3.200] | 60 | 1-499141-1 |
| | 60.96 [2.400] | 72.64 [2.860] | 72.64 [2.860] | 82.80 [3.260] | 78.74 [3.100] | 68.58 [2.700] | 50 | 1-499141-0 |
| | 48.26 [1.900] | 59.94 [2.360] | 59.94 [2.360] | 70.10 [2.760] | 66.04 [2.600] | 55.88 [2.200] | 40 | 499141-9 |
| | 40.64 [1.600] | 52.32 [2.060] | 52.32 [2.060] | 62.48 [2.460] | 58.42 [2.300] | 48.26 [1.900] | 34 | 499141-8 |
| 7 SUPERSEDED BY 5499141-7 | 35.56 [1.400] | 47.24 [1.860] | 47.24 [1.860] | 57.40 [2.260] | 53.34 [2.100] | 43.18 [1.700] | 30 | 499141-7 |
| | 30.48 [1.200] | 42.16 [1.660] | 42.16 [1.660] | 52.32 [2.060] | 48.26 [1.900] | 38.10 [1.500] | 26 | 499141-6 |
| SUPERSEDED BY 102160-5 | 27.94 [1.100] | 39.62 [1.560] | 39.62 [1.560] | 49.78 [1.960] | 45.72 [1.800] | 35.56 [1.400] | 24 | 499141-5 |
| | 22.86 [.900] | 34.54 [1.360] | 34.54 [1.360] | 44.70 [1.760] | 40.64 [1.600] | 30.48 [1.200] | 20 | 499141-4 |
| | 17.78 [.700] | 29.46 [1.160] | 29.46 [1.160] | 39.62 [1.560] | 35.56 [1.400] | 25.40 [1.000] | 16 | 499141-3 |
| | 15.24 [.600] | 26.92 [1.060] | 26.92 [1.060] | 37.08 [1.460] | 33.02 [1.300] | 22.86 [.900] | 14 | 499141-2 |
| | 10.16 [.400] | 21.84 [.860] | 21.84 [.860] | 32.00 [1.260] | 27.94 [1.100] | 17.78 [.700] | 10 | 499141-1 |
| | F | E | D | C | B | A | NO OF POSN | PART NUMBER |

THIS DRAWING IS A CONTROLLED DOCUMENT.

| | | | |
|---|--|---------------------|---------------------------------|
| DIMENSIONS: mm [INCHES] | TOLERANCES UNLESS OTHERWISE SPECIFIED: | DIN H. MOLL 4-23-90 | STE TE Connectivity |
| 0 PLC ± - | 1 PLC ± - | 11-28-90 | R. STONE |
| 2 PLC ± 0.13[.005] | 3 PLC ± - | 11-29-90 | NAME |
| 4 PLC ± - | ANGLES ± - | APVD S. GOOD | PRODUCT SPEC |
| MATERIAL: HOUSING & LATCHES: GLASS FILLED NYLON OR POLYESTER, 90%+ REIN. BLACK POSTS: BRASS | FINISH: 6 | APVD S. GOOD | APPLICATION SPEC |
| | | SIZE: A1 | 108-40018 |
| | | WEIGHT: - | 108-40018 |
| | | CUSTOMER DRAWING | SCALE: 4:1 SHEET 1 OF 1 REV: K2 |

Mouser Electronics

Authorized Distributor

Click to View Pricing, Inventory, Delivery & Lifecycle Information:

[TE Connectivity:](#)

[499141-6](#)