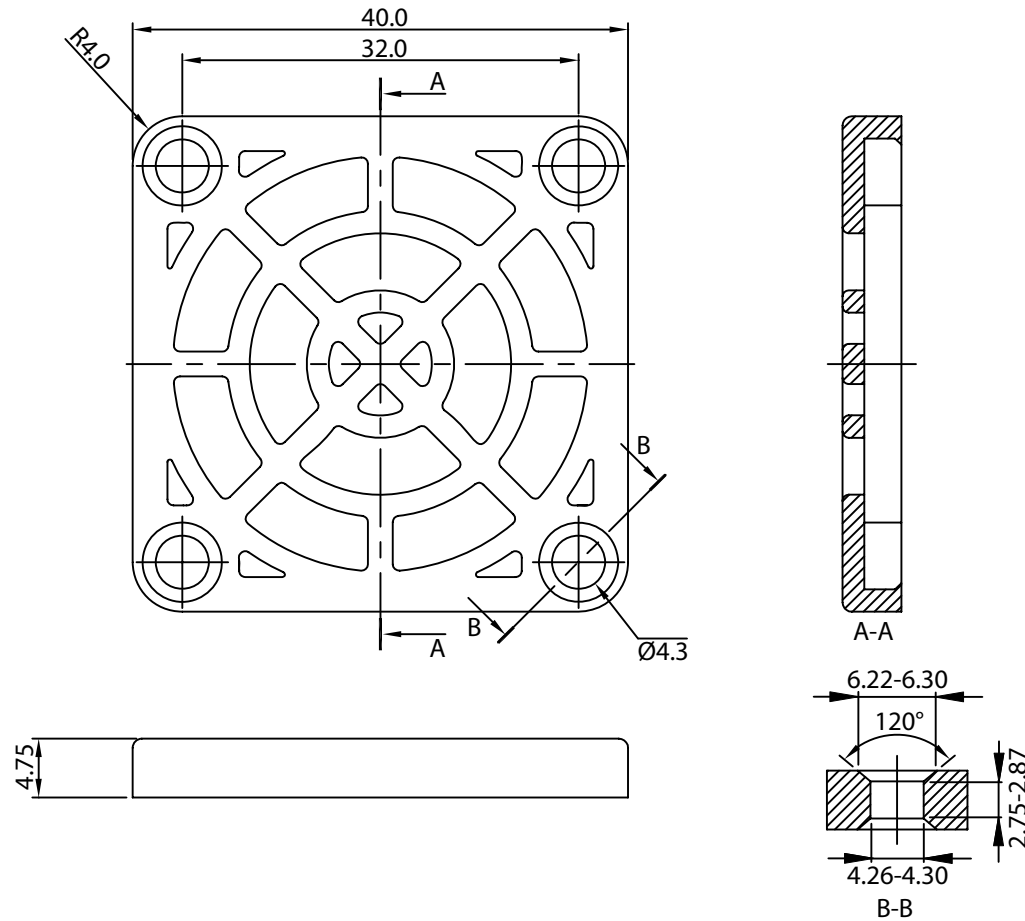


THESE DRAWINGS ARE THE PROPERTY OF QUALTEK ELECTRONICS AND NOT TO BE REPRODUCED FOR OR COMMUNICATED TO A THIRD PARTY WITHOUT THE EXPRESS WRITTEN PERMISSION OF AN OFFICER OF QUALTEK ELECTRONICS.

| REVISION | | | |
|----------|--------------------------------|----------|----------|
| REV. | DESCRIPTION | DATE | APPROVED |
| B | RoHS Compliancy | 06-01-06 | DP |
| C | Added Mounting Hole Dimensions | 07-25-07 | DP |
| D | Updated Specifications | 01-23-08 | DP |
| E | Updated Graphics | 01-13-10 | LY |



CONTROLLED

NOTES:

MATERIAL: PC241RV-2
RoHS COMPLIANT

| Dim range (mm) | Tolerance +/- (mm) | Qualtek Electronics Corp. FAN-S DIVISION | | |
|----------------|--------------------|---|--|--------------------------------|
| | | Part Number: 09150-G RoHS Compliant | | Description: PLASTIC FAN GUARD |
| 0-5 | 0.1 | UNIT: mm | | REV: E |
| 5-16 | 0.15 | Checked / Date | | Approved / Date |
| 16-64 | 0.2 | Drawn / Date | | |
| 64-250 | 0.4 | B. ZHANG 04-19-04 | | JJH / 04-19-04 |
| 250-1000 | 0.5 | 04-19-04 | | |
| 1000-1500 | 1.0 | | | |

Mouser Electronics

Authorized Distributor

Click to View Pricing, Inventory, Delivery & Lifecycle Information:

[Qualtek:](#)

[09150-G](#)