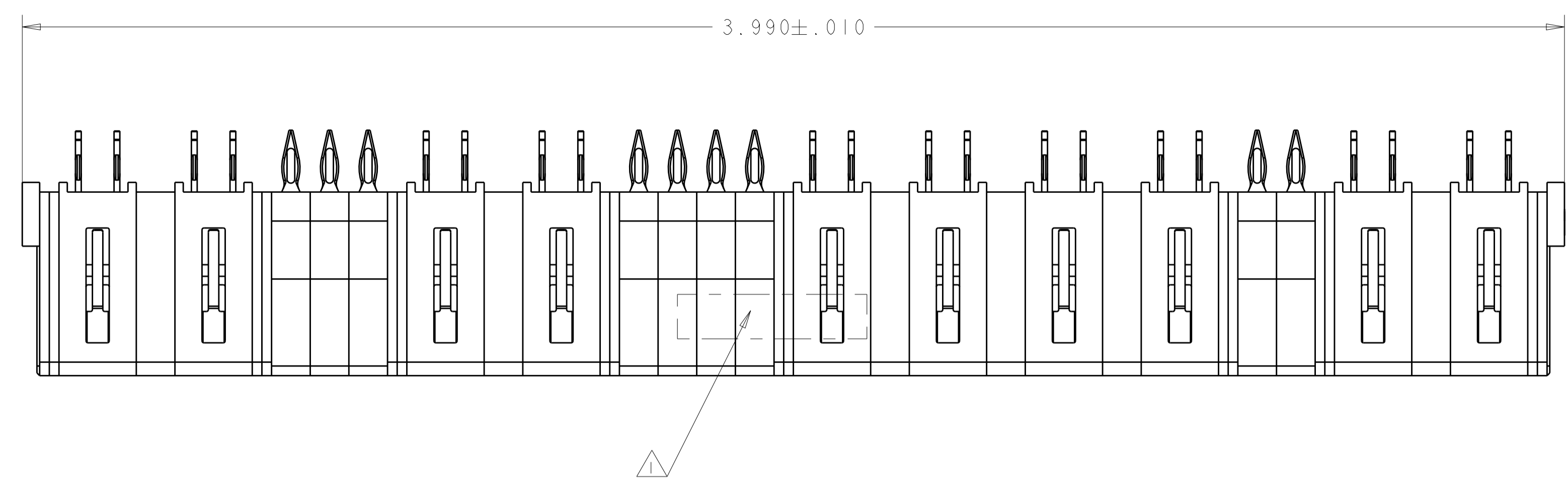
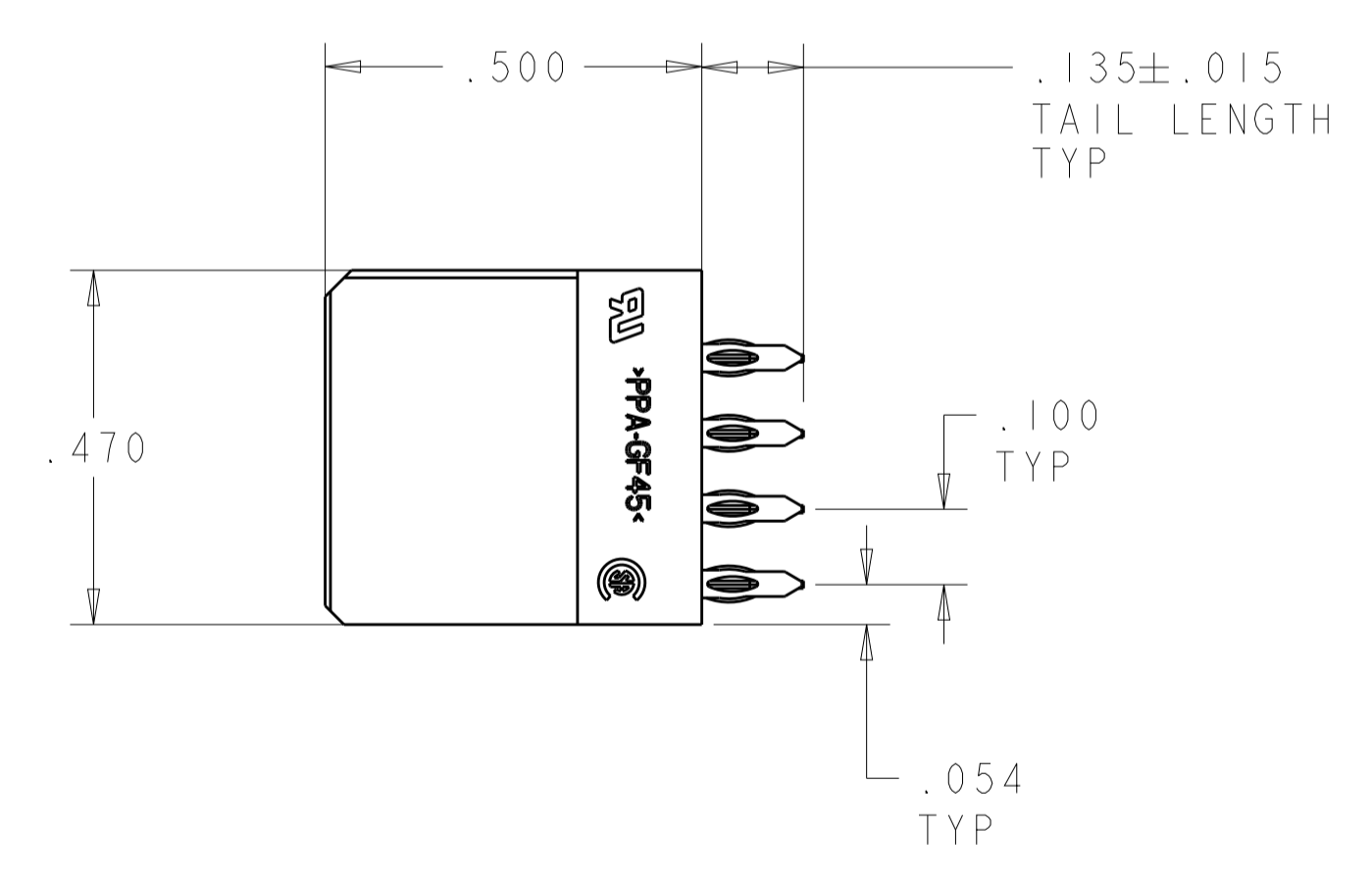
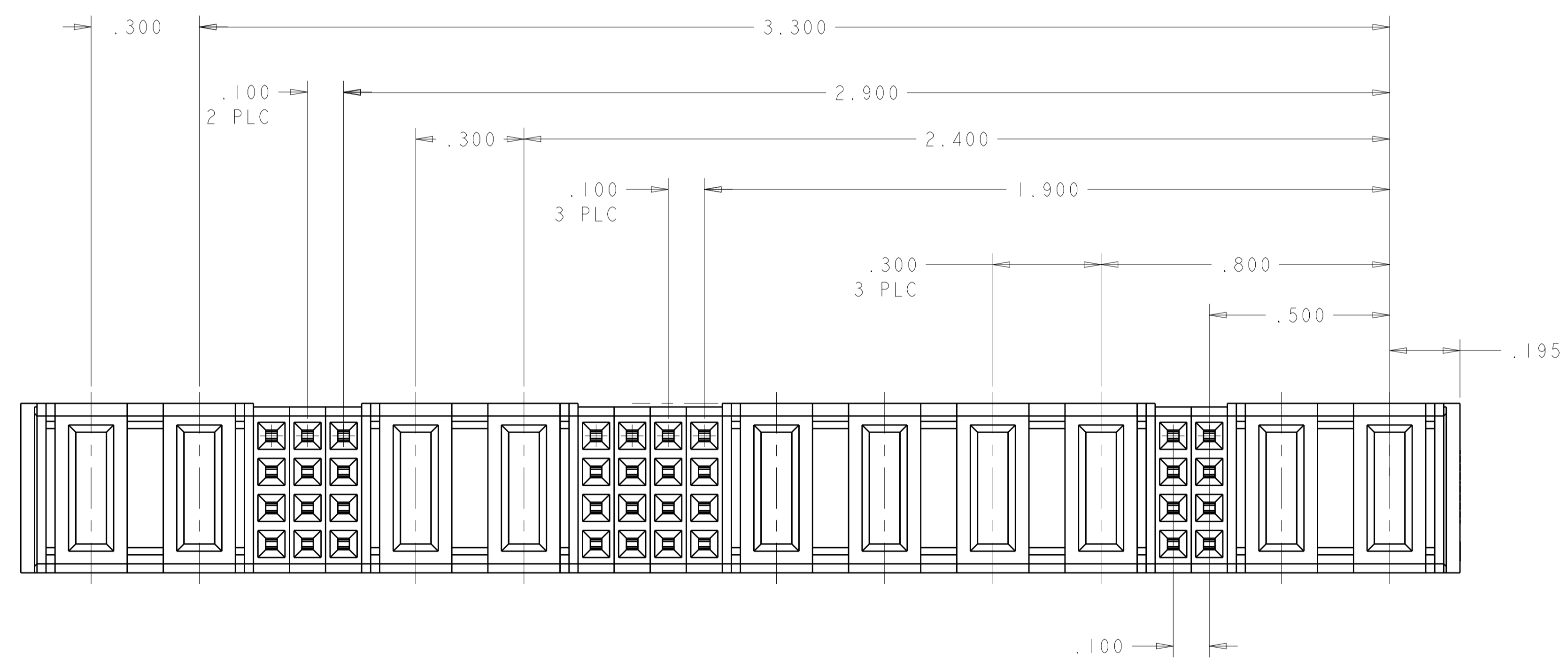


REVISIONS					
P.	LTN	DESCRIPTION	DATE	DMN	APVD
A1		REVISED	28SEP2014	CZ	SZ



- 1 "AMP", PART NUMBER AND DATE CODE TO BE MARKED IN AREA SHOWN PARTS UNDER 2.00 LONG MAY BE MARKED ON BOTH SIDES
- 2 MATERIAL: HOUSING - GLASS FILLED HIGH TEMP THERMO PLASTIC, UL94 V-0
SIGNAL CONTACT - HIGH CONDUCTIVITY COPPER ALLOY
POWER CONTACT - HIGH CONDUCTIVITY COPPER ALLOY
- 3 CONTACT PLATING: SIGNAL CONTACTS - .000050 MIN Ni UNDER ALL
.000030 MIN Au ON CONTACT AREA
.000100 MIN Sn AT PCB INTERFACE
POWER CONTACTS - .000050 MIN Ni UNDER ALL
.000030 MIN Au ON CONTACT AREA
.000100 MIN Sn AT PCB INTERFACE
- 4 MECHANICAL CONNECTOR KEEP OUT ZONE
- 5 DATUM AND BASIC DIMENSIONS ESTABLISHED BY CUSTOMER
- 6 PCB - ALL HOLE DIAMETERS ARE FINISHED HOLE SIZES
- 7 PCB - 0.0453 ± .0010 DRILLED HOLES PLATED WITH .0003 MIN Sn OVER .001 TO .003 Cu PLATING TO ACHIEVE A .040 ± .003 HOLE

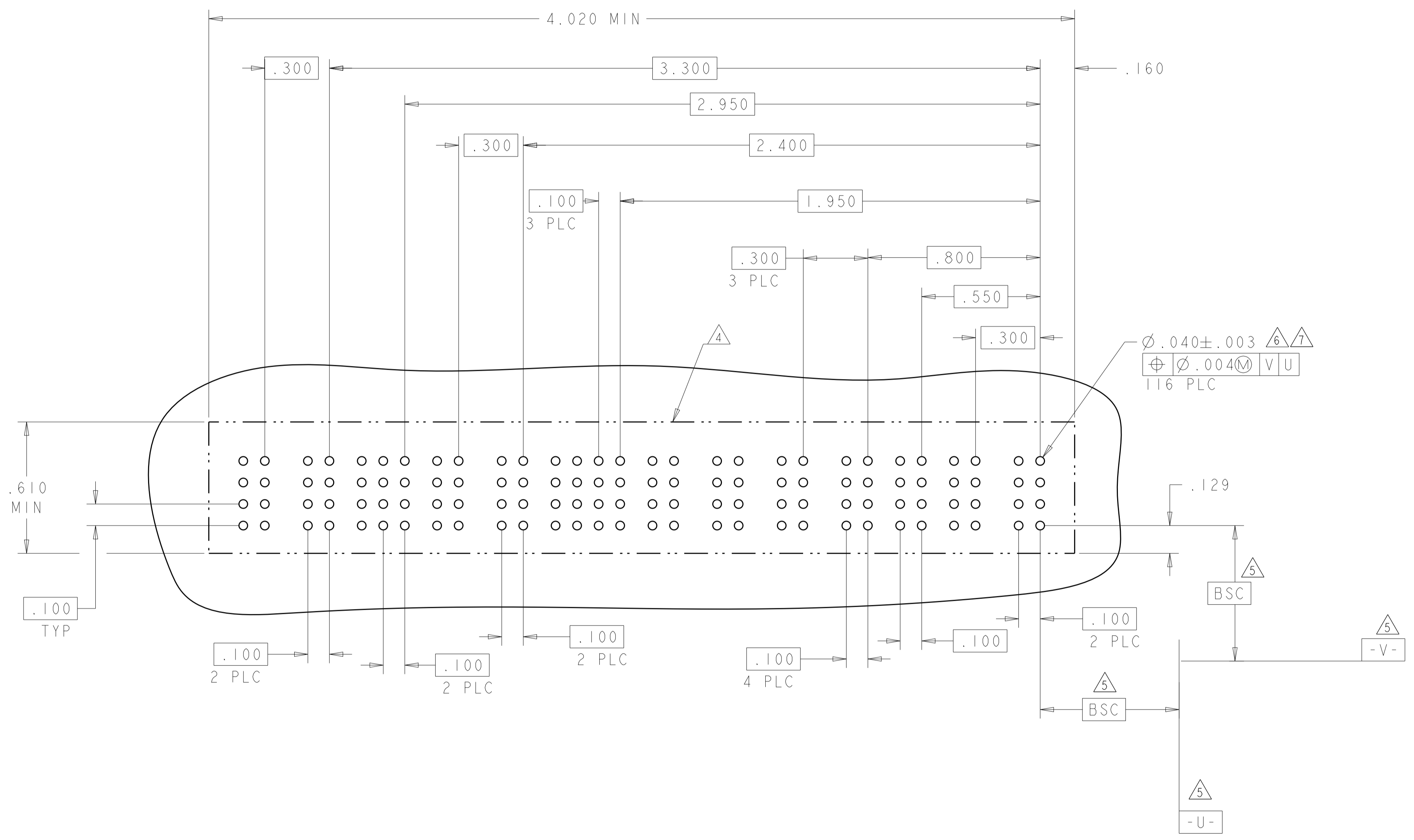


2ACP+8S+4ACP+16S+2ACP+12S+2ACP	I-6450869-0
DESCRIPTION	PART NUMBER

THIS DRAWING IS A CONTROLLED DOCUMENT.		DMN C. ZHOU CHK S. ZHAO APVD	28DEC2009	TE Connectivity	
DIMENSIONS: INCHES	TOLERANCES UNLESS OTHERWISE SPECIFIED:	PRODUCT SPEC 108-2292		NAME VER RECEPTOR ASSEMBLY, W/ LP CONTACTS WITHOUT GUIDES, PRESS FIT MULTI-BEAM XLE	
0 PLC ±.01	1 PLC ±.01	APPLICATION SPEC		SIZE A1	
2 PLC ±.01	3 PLC ±.005	ANGLES 114-13251		CAGE CODE 1-6450869-0	
4 PLC ±.0020	FINISH	WEIGHT		RESTRICTED TO	
MATERIAL		CUSTOMER DRAWING		SCALE N/A SHEET 1 OF 2 REV A1	

REVISIONS				
P.	LTN	DESCRIPTION	DATE	APVD
-	-	SEE SHEET 1	-	-

PART NUMBER	ROWS	POWER		SIGNAL			POWER		SIGNAL				POWER		SIGNAL		POWER				
		P10	P9	9	8	7	P8	P7	6	5	4	3	P6	P5	P4	P3	2	1	P2	P1	
1-6450869-0	D	GS	GS	AP	AP	AP	GS	GS	AP	AP	AP	AP	GS	GS	GS	GS	AP	AP	GS	GS	
	C			AP	AP	AP			AP	AP	AP	AP					AP	AP			AP
	B			AP	AP	AP			AP	AP	AP	AP					AP	AP			AP
	A			AP	AP	AP			AP	AP	AP	AP					AP	AP			AP
2ACP+8S+4ACP+16S+2ACP+12S+2ACP																					



GS	STD POWER PRESS FIT CONTACT .135 TAIL LENGTH
AP	SIGNAL PRESS FIT CONTACT .135 TAIL LENGTH
CODE	TAIL LENGTH
CONTACT TABLE	

THIS DRAWING IS A CONTROLLED DOCUMENT. DWG: C.ZHOU 28DEC2009
 CHK: S.ZHAO
 APVD: -

DIMENSIONS: INCHES	TOLERANCES UNLESS OTHERWISE SPECIFIED:	PRODUCT SPEC: 108-2292	NAME: VER RECEP ASSEMBLY, W/ LP CONTACTS WITHOUT GUIDES, PRESS FIT MULTI-BEAM XLE
	0 PLC ±.01 1 PLC ±.01 2 PLC ±.01 3 PLC ±.005 4 PLC ±.002	APPLICATION SPEC: 114-13251	SIZE: A1
MATERIAL: -	FINISH: -	WEIGHT: -	RESTRICTED TO: -
CUSTOMER DRAWING		SCALE: N/A	SHEET 2 OF 2 REV: A1

Mouser Electronics

Authorized Distributor

Click to View Pricing, Inventory, Delivery & Lifecycle Information:

[TE Connectivity:](#)

[1-6450869-0](#)