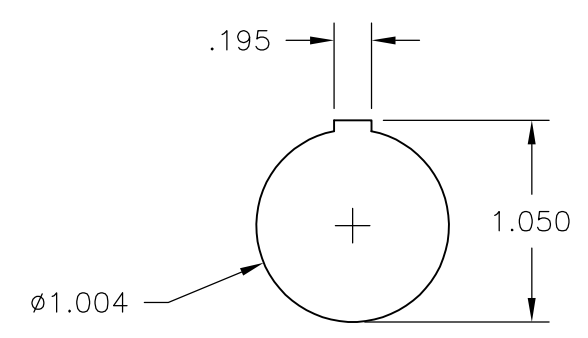
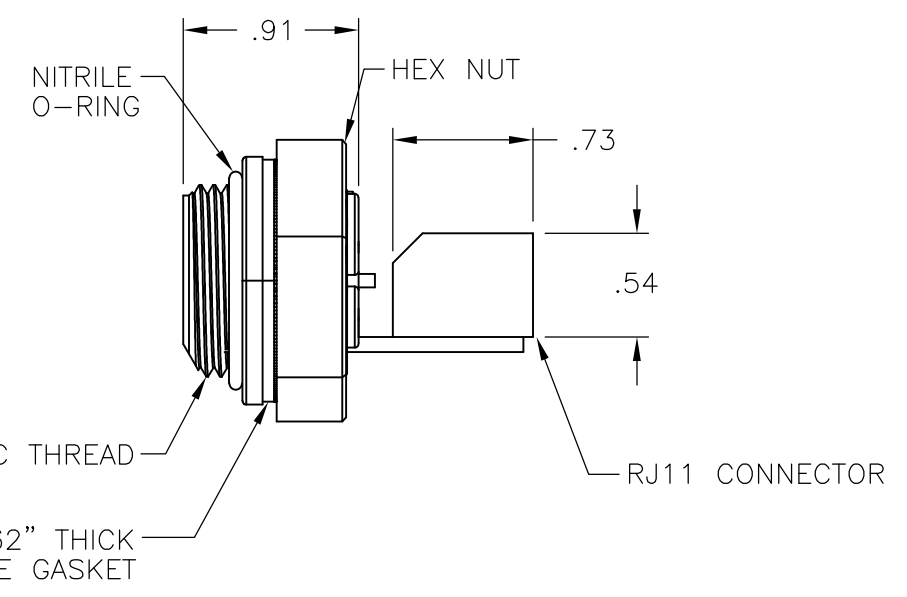
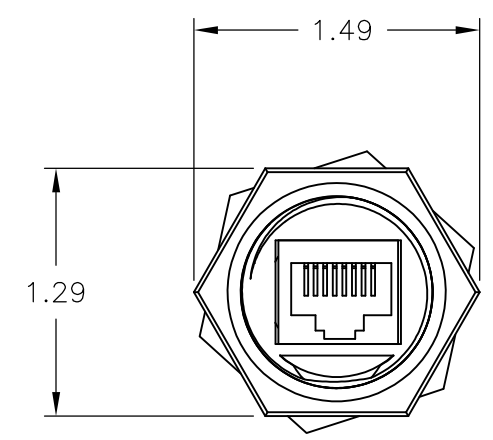
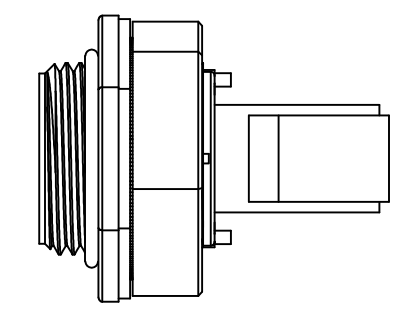


THIS DRAWING IS UNPUBLISHED.      RELEASED FOR PUBLICATION  
 © COPYRIGHT - By -      ALL RIGHTS RESERVED.


LOC	DIST	REVISIONS					
FT	0	P	LTR	DESCRIPTION	DATE	DWN	APVD
			C1	REVISED PER ECO-11-004820	11MAR11	RK	HMR



BACKEND DIMS.  
OF RECEPTACLE



	1-1546415-1
SUPERSEDED	1546415-1
	PART NO.

THIS DRAWING IS A CONTROLLED DOCUMENT.		DWN	S SCHLEGEL	09OCT2002	 <b>TE Connectivity</b>											
DIMENSIONS: INCHES		CHK	H WAKEEM	10/9/02												
TOLERANCES UNLESS OTHERWISE SPECIFIED:		APVD	H WAKEEM	10/9/02												
<table border="0"> <tr><td>0 PLC</td><td>± -</td></tr> <tr><td>1 PLC</td><td>± -</td></tr> <tr><td>2 PLC</td><td>± .02</td></tr> <tr><td>3 PLC</td><td>± .005</td></tr> <tr><td>4 PLC</td><td>± -</td></tr> <tr><td>ANGLES</td><td>± 2'</td></tr> </table>		0 PLC	± -	1 PLC		± -	2 PLC	± .02	3 PLC	± .005	4 PLC	± -	ANGLES	± 2'	PRODUCT SPEC	
0 PLC	± -															
1 PLC	± -															
2 PLC	± .02															
3 PLC	± .005															
4 PLC	± -															
ANGLES	± 2'															
MATERIAL		APPLICATION SPEC		RJ-11 BULKHEAD PASS THROUGH WITH BACKSIDE JACK												
FINISH		WEIGHT	A3 00779		RESTRICTED TO											
		CUSTOMER DRAWING		SCALE	NTS											
				SHEET	1 OF 1											
				REV	C1											
				DRAWING NO	G-1546415											

# Mouser Electronics

Authorized Distributor

Click to View Pricing, Inventory, Delivery & Lifecycle Information:

[TE Connectivity:](#)

[1-1546415-1](#)