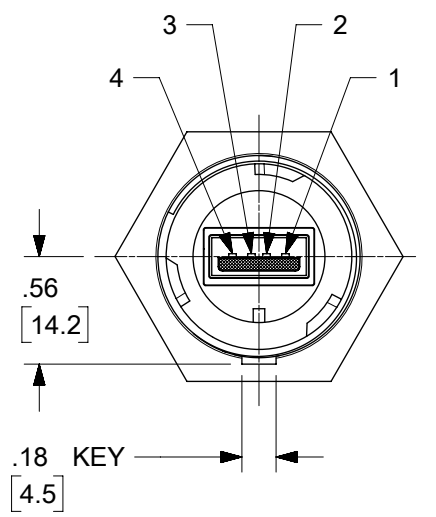
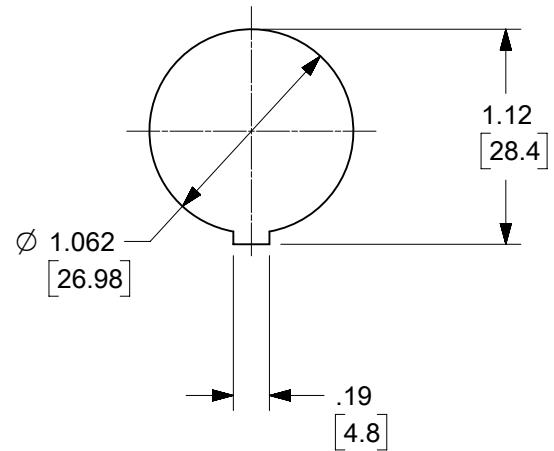


PART NO.	LENGTH
847290003	6.00 +.47-0 (152mm + 12mm-0)
847290004	31.88 +1.00-0 (810mm + 25mm-0)
847290005	51.57 +1.00-0 (1310mm + 25mm-0)
847290006	81.89 +1.57-0 (2080mm + 40mm-0)
847290007	131.0 +3.15-0 (3330mm + 80mm-0)
847290008	196.90 +3.94-0 (5000mm + 100mm-0)
847290011	3.00 +.47-0 (76mm + 12mm-0)



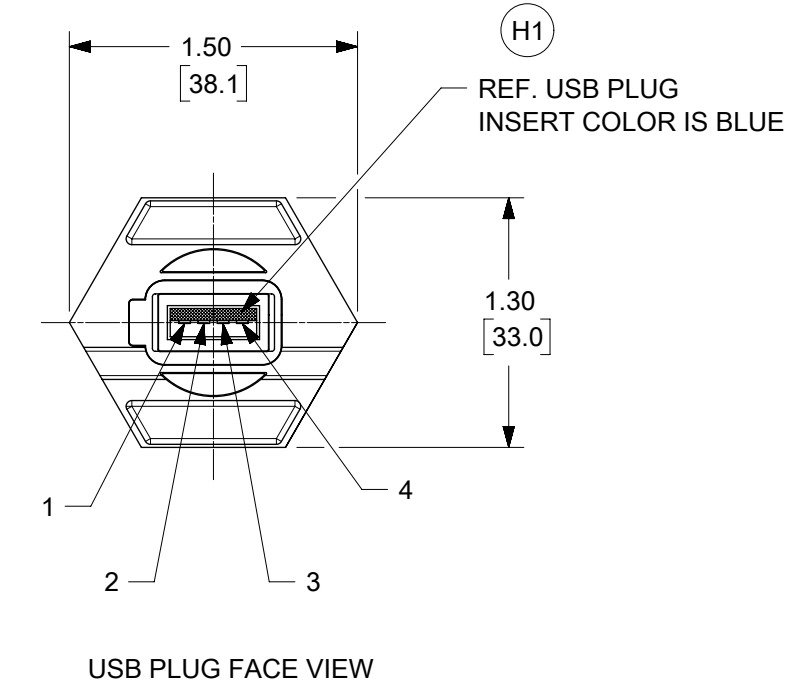
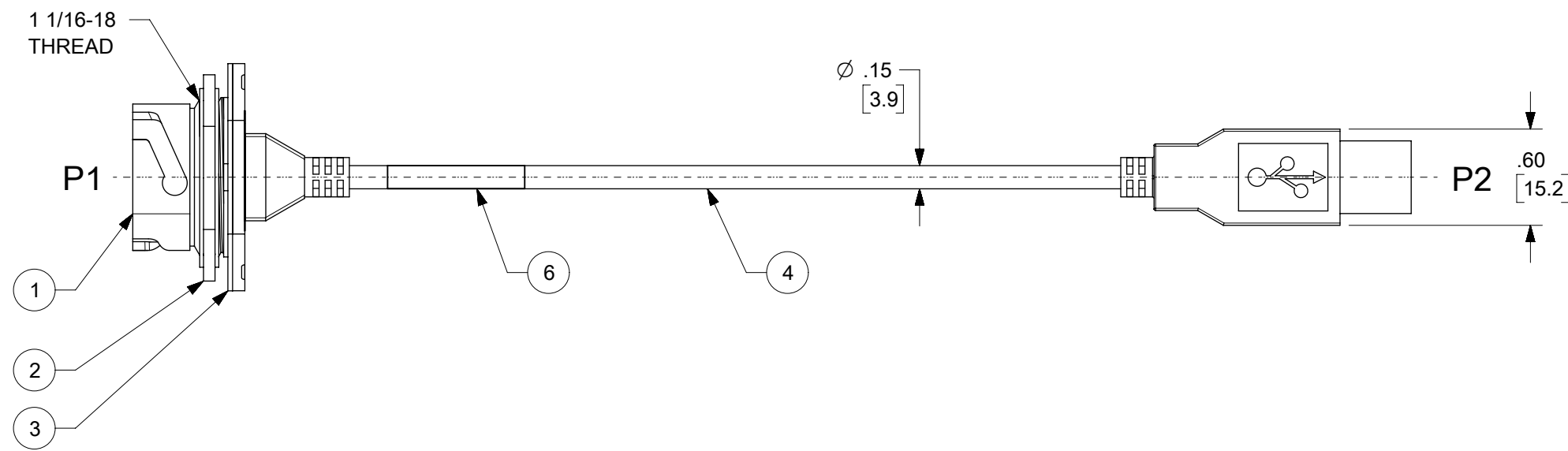
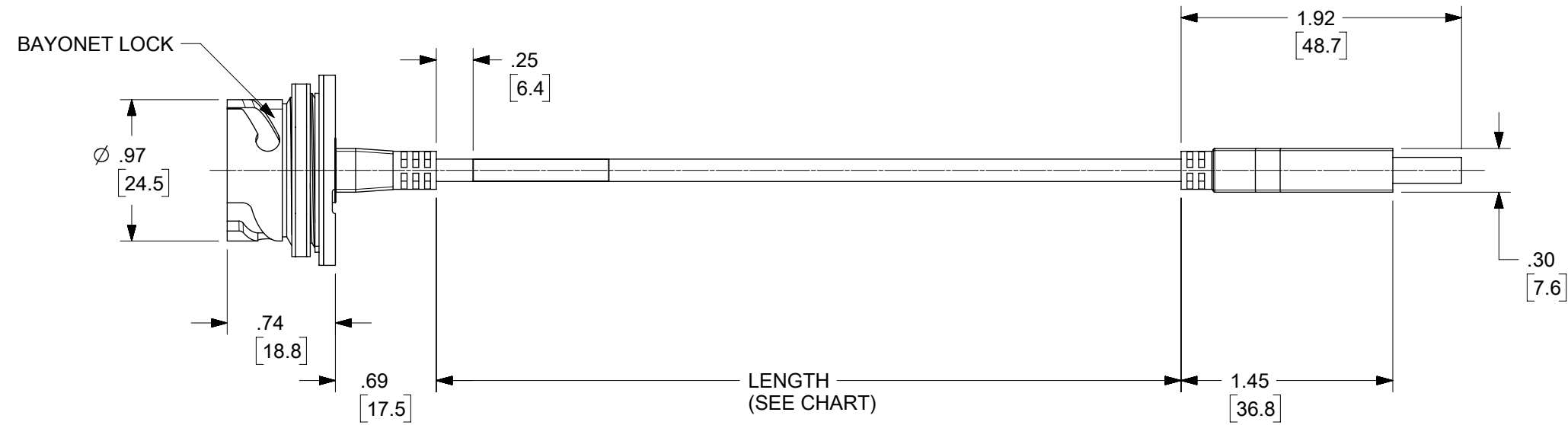
RECEPTACLE FACE VIEW  
(PANEL NUT NOT SHOWN)



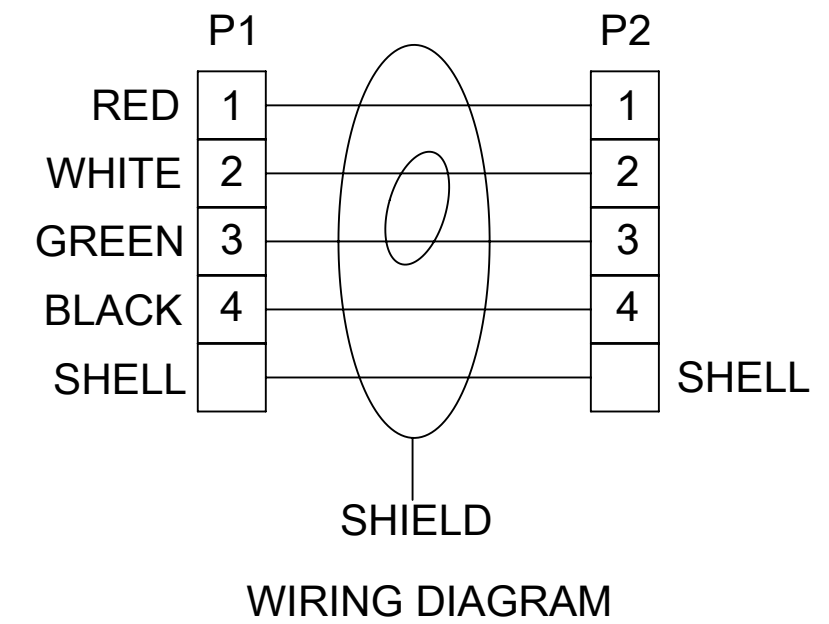
PANEL CUT OUT

NOTES:

1. MATERIAL: AS NOTED
2. FINISHES: AS NOTED
3. PRODUCT SPEC: PS-84727-002
4. ELECTRICAL SPECS:  
VOLTAGE RATING: 30 VAC  
CURRENT RATING: 1.0V
5. ENVIRONMENTAL: IP67 (RECEPTACLE END, WHEN MATED)
6. OPERATING TEMP: -40°C TO +80°C
7. PANEL NUT TORQUE: 24 IN LBS.
8. PANEL THICKNESS: .10 MAX
9. CABLE MATERIAL: PVC JACKET, BLACK  
USB SHELL: PHOS-BRONZE, NICKEL PLATED  
CONTACTS: PHOS-BRONZE, GOLD PLATED WIRE GAGE: 28
10. DIMS SHOWN ARE FOR REFERENCE UNLESS NOTED OTHERWISE



USB PLUG FACE VIEW



WIRING DIAGRAM

ITEM	DESCRIPTION	MATERIAL	FINISH
6	WRAP LABEL	VINYL	WHITE
5	POTTING COMPOUND	EPOXY	BLACK
4	USB-A CABLE SUB-ASSY. 28AWG, SHIELDED	AS NOTED	AS NOTED
3	PANEL GASKET	NEOPRENE	BLACK
2	LOCKNUT	NYLON, PA66 UL 94 HB	BLACK
1	RECEPTACLE HOUSING	PBT, UL 94V-0	BLACK

SYMBOLS										THIS DRAWING CONTAINS INFORMATION THAT IS PROPRIETARY TO MOLEX ELECTRONIC TECHNOLOGIES, LLC AND SHOULD NOT BE USED WITHOUT WRITTEN PERMISSION													
DIMENSION UNITS		SCALE		CURRENT REV DESC: ADD INSERT NOTE																			
HYBRID		1:1		EC NO: 613957 DRWN: RSTONE 2019/03/13 CHK'D: MZIELINSKI 2019/03/19 APPR: BWOODMAN 2019/03/26 INITIAL REVISION: DRWN: R. STONE 2007/02/15 APPR: J. MACNEAL 2007/02/20																			
GENERAL TOLERANCES (UNLESS SPECIFIED)																							
4 PLACES ±		MM		INCH		0 PLACES ±		ANGULAR TOL ± 0.5 °		THIRD ANGLE PROJECTION		DRAWING		SERIES		DOCUMENT NUMBER		DOC TYPE		DOC PART		REVISION	
1 PLACE ± 0.25		±		± 0.01		±		±		C-SIZE		84729		SD-84729-006		PSD		001		H1			
DRAFT WHERE APPLICABLE MUST REMAIN WITHIN DIMENSIONS				MATERIAL NUMBER		CUSTOMER		SHEET NUMBER		SEE P/N CHART		GENERAL MARKET		1 OF 1									