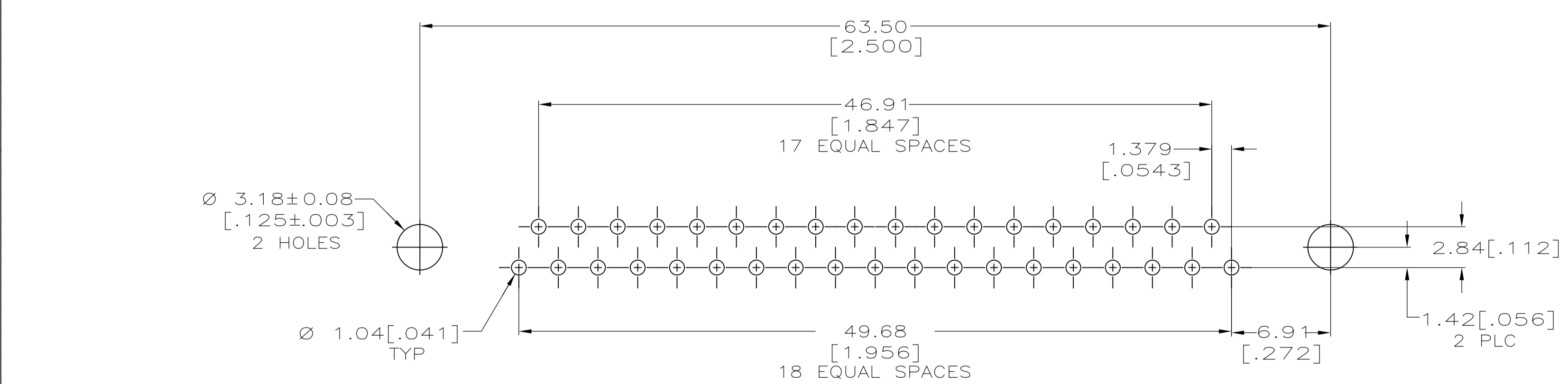
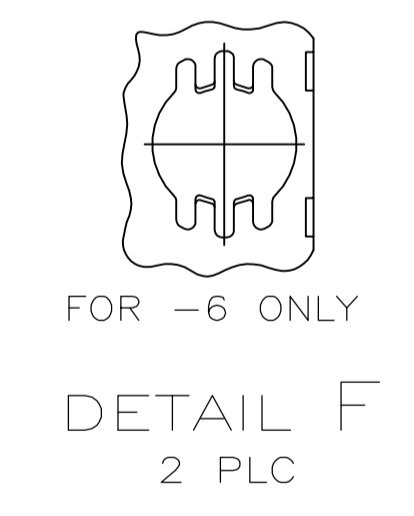
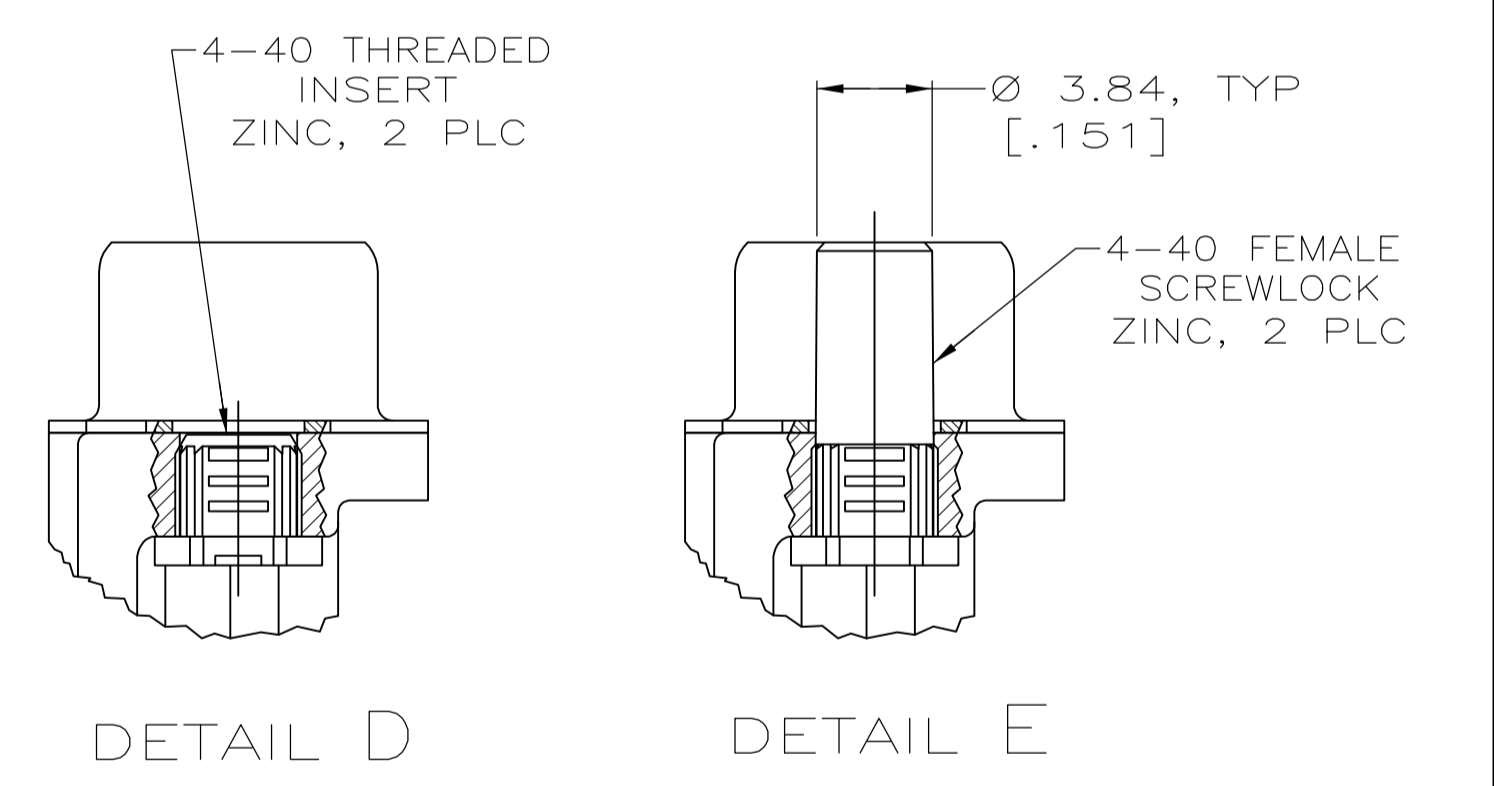
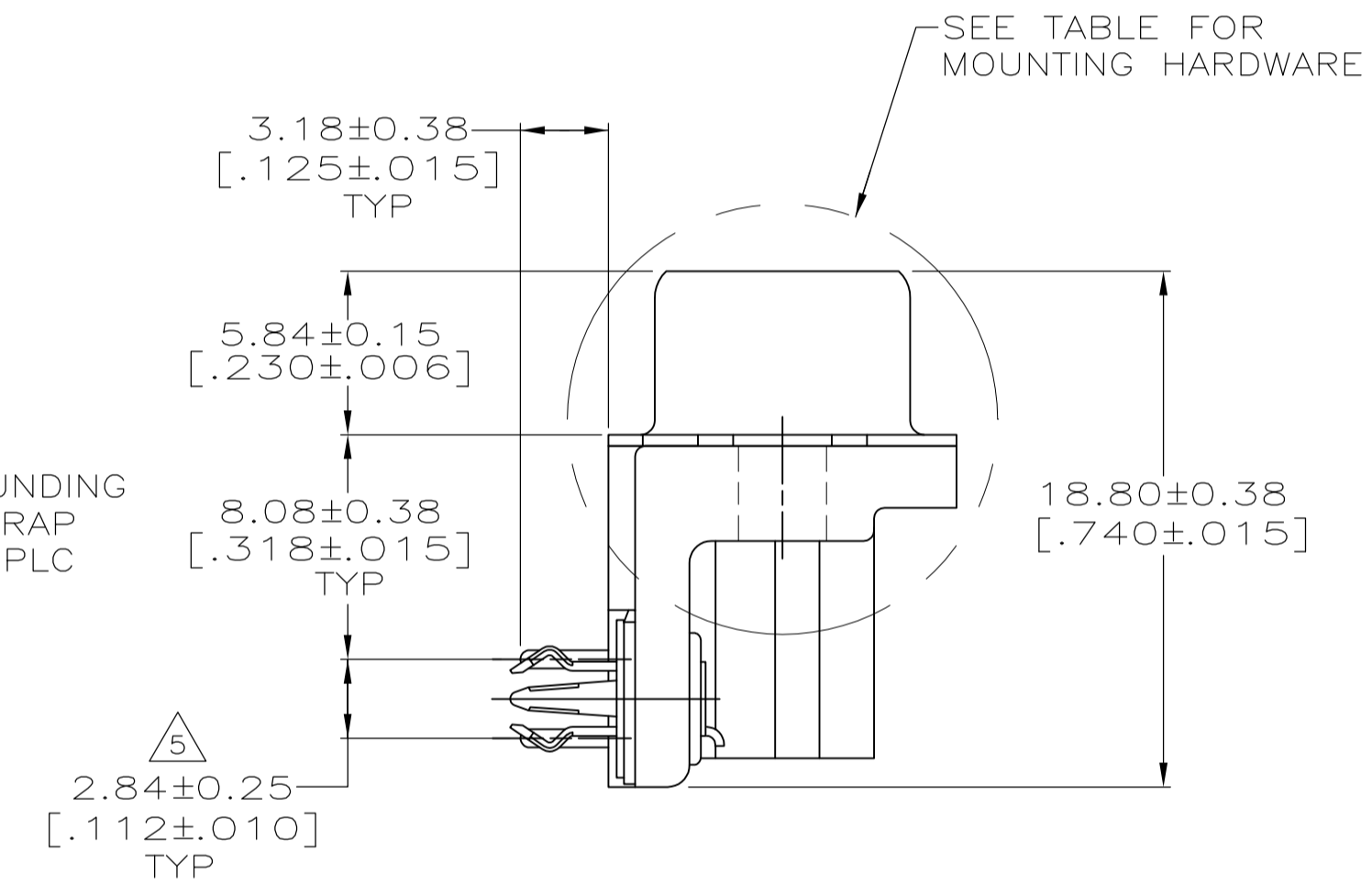
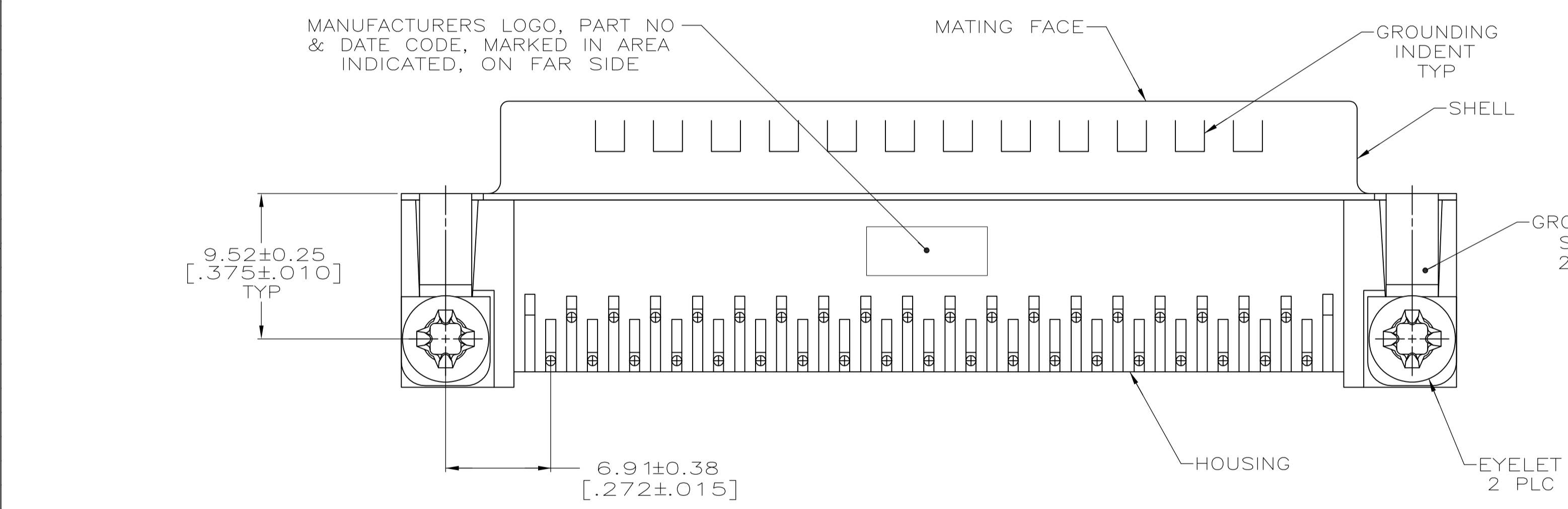


- 1 HOUSING: NYLON OR POLYESTER, FLAME RETARDANT, UL 94V-0 RATED, GLASS FILLED, COLOR BLACK.  
CONTACTS: BRASS.  
SHELL: CARBON STEEL.  
EYELETS: BRASS.  
BOARDLOCKS: COPPER ALLOY.  
INSERTS: ZINC ALLOY.  
SCREWLOCKS: ZINC ALLOY.
- 2 CONTACTS: SEE TABLE.  
SHELL: 2.54µm [.000100] MIN TIN OVER 1.27µm [.000050] MIN COPPER.  
EYELETS: 5.08µm [.000200] MIN TIN OVER COPPER FLASH.  
BOARDLOCKS: 5.08µm [.000200] MIN TIN OVER 1.27µm [.000050] MIN NICKEL.  
INSERTS: CLEAR CHROMATE.  
SCREWLOCKS: CLEAR CHROMATE.
- 3 GOLD FLASH ON THE MATING SURFACES, 2.54µm [.000100] MIN TIN PLATE ON THE SOLDER END, 1.27µm [.000050] MIN NICKEL UNDERPLATE ON THE ENTIRE CONTACT.
- 4 0.76µm [.000030] MIN GOLD PLATE ON THE MATING SURFACES, 2.54µm [.000100] MIN TIN PLATE ON THE SOLDER END, 1.27µm [.000050] MIN NICKEL UNDERPLATE ON THE ENTIRE CONTACT -OR- GOLD FLASH OVER PALLADIUM-NICKEL PLATE, 0.76µm [.000030] MIN TOTAL ON THE MATING SURFACES, 2.54µm [.000100] MIN TIN PLATE ON THE SOLDER END, 1.27µm [.000050] MIN NICKEL UNDERPLATE ON THE ENTIRE CONTACT.
- 5 DIMENSION APPLIES FROM CENTER OF CONTACTS.



RECOMMENDED P.C. BOARD MOUNTING DIMENSIONS  
P.C. BOARD THICKNESS: 1.57 [.062]

SEE DETAIL E	4	5747843-6
SEE DETAIL D	4	5747843-4
SEE DETAIL D	3	5747843-3
NONE	4	5747843-2
MOUNTING HARDWARE	CONTACT FINISH	PART NUMBER

THIS DRAWING IS A CONTROLLED DOCUMENT. DIMENSIONING AND TOLERANCING PER ASME Y14.5M-2009		DIN G. ATTADIA - 04-13-05	DOCKS 04-13-05	STE TE Connectivity	
DIMENSIONS: mm [INCHES]		APVD M. WALMSLEY 04-13-05	NAME	PLUG ASSEMBLY, SIZE 4, 37 POSITION, RIGHT ANGLE, FRONT METAL SHELL, .318 SERIES, BOARDLOCKS, AMPLIMITE HD-20	
TOLERANCES UNLESS OTHERWISE SPECIFIED:		PRODUCT SPEC	APPLICATION SPEC	SIZE	CAGE CODE DRAWING NO
0 PLC	± -	108-40025	114-40010	A1	00779
1 PLC	± -				
2 PLC	± -				
3 PLC	± 0.13 [.005]				
4 PLC	± -				
ANGLES	± -				
MATERIAL	FINISH	WEIGHT	SCALE	SHEET	REV
1	2	-	4:1	1 OF 1	E

# Mouser Electronics

Authorized Distributor

Click to View Pricing, Inventory, Delivery & Lifecycle Information:

[TE Connectivity:](#)

[5747843-4](#)