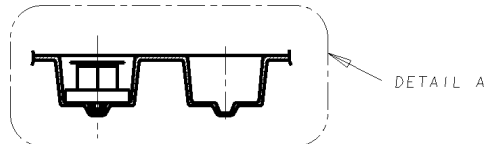
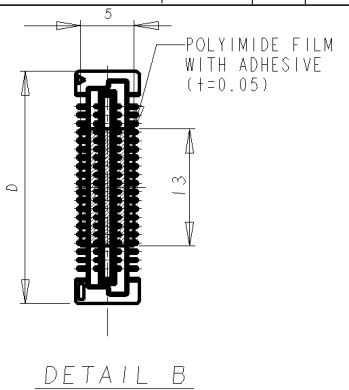
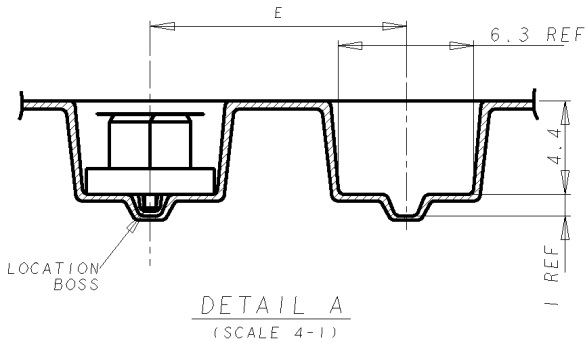
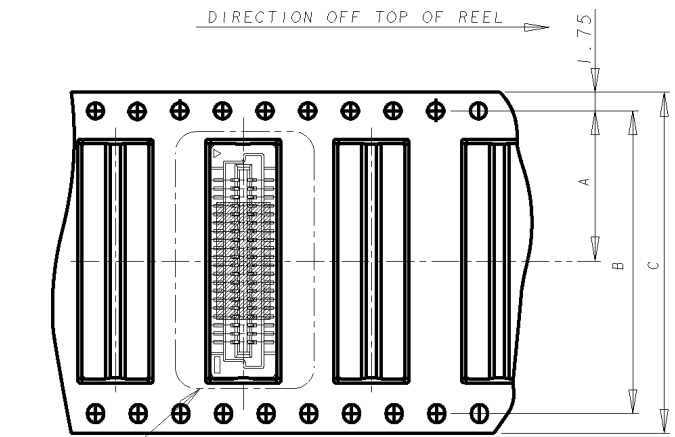


THIS DRAWING IS UNPUBLISHED. RELEASED FOR PUBLICATION .19

© COPYRIGHT 19 BY AMP INCORPORATED. ALL RIGHTS RESERVED.

LOC	DIST	REVISIONS			DATE	DWN	APVD
DY	-	P	LTR	DESCRIPTION			
		0		NPR ECR-07-011673	18MAY07	LWY	SYJ
		1		ECR-12-013939	3AUG12	I.T	Y.S

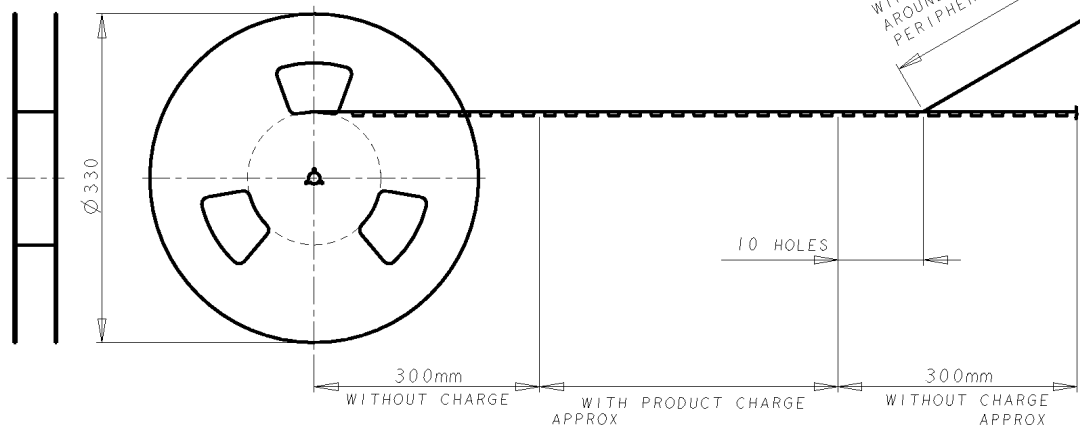


NOTES:

1 MATERIAL:  
HOUSING: HIGH TEMP THERMOPLASTICS UL94-V0  
CONTACTS: COPPER ALLOY

2 FINISH:  
UNDERPLATE: 1.3um MIN NICKEL  
MATING AREA: 0.2um MIN AU  
SOLDERTAIL: 2.0um MIN TIN-LEAD

WINDING THE COVER TAPE  
AROUND THE OUTER  
PERIPHERY IN A TURN.



08Au/Sn	700	16	45.8	72	68.4	34.2	5177983-4	100	1735436-4
REMARKS	QTY	E	D	C	B	A	CONNECTOR P/N	POS	PART NO.

THIS DRAWING IS A CONTROLLED DOCUMENT FOR AMP INCORPORATED. IT IS SUBJECT TO CHANGE AND THE CONTROLLING ENGINEERING ORGANIZATION SHOULD BE CONTACTED FOR THE LATEST REVISION.		DWN WYLEE	18MAY2007	Tyco Electronics Singapore Pte. Ltd.	
DIMENSIONS: mm		CHR YJ SEF	APVD SE LFONG	NAME RECEPTACLE ASSY FOR 0.8 FH BTB CONN. 5mm HEIGHT (0.5mm BOSS LENGTH), ON EMBOSS TAPING WITH POLYIMIDE FILM, LF	
TOLERANCES UNLESS OTHERWISE SPECIFIED: 0 PLC ± - 1 PLC ± 0.30 2 PLC ± 0.25 3 PLC ± 0.20 4 PLC ± - ANGLES ± 3°		PRODUCT SPEC 108-5390	APPLICATION SPEC 114-5254	SIZE A3	CAGE CODE 00779
MATERIAL 1	FINISH 2	WEIGHT -	DRAWING NO. C= 1735436		
CUSTOMER DRAWING			SCALE 2:1	SHEET OF	REV 1

# Mouser Electronics

Authorized Distributor

Click to View Pricing, Inventory, Delivery & Lifecycle Information:

[TE Connectivity:](#)

[1735436-4](#)