

NOTE:

- I. ELECTRIC PERFORMANCE
 NOMINAL IMPEDANCE (Ω) : 50
 FREQUENCY RANGE : DC-6GHz
 VSWR : ≤ 1.065 (DC-3GHz)
 ≤ 1.3 (3-6GHz)
 PIM(dBc) : ≤ -160 (2X43dBm)
 INSERT LOSS (dB) : ≤ 0.1
 INSULATION RESISTANCE ($M\Omega$) : >5000
 PROOF VOLTAGE (V) : 2500
 CONDUCTOR RESISTANCE ($m\Omega$) : OUTER CONDUCTOR <0.2
 INNER CONDUCTOR <0.8

II. MECHANICAL PERFORMANCE

MECHANICAL WEAR : 500

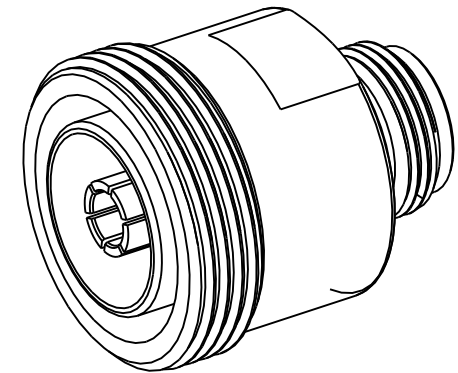
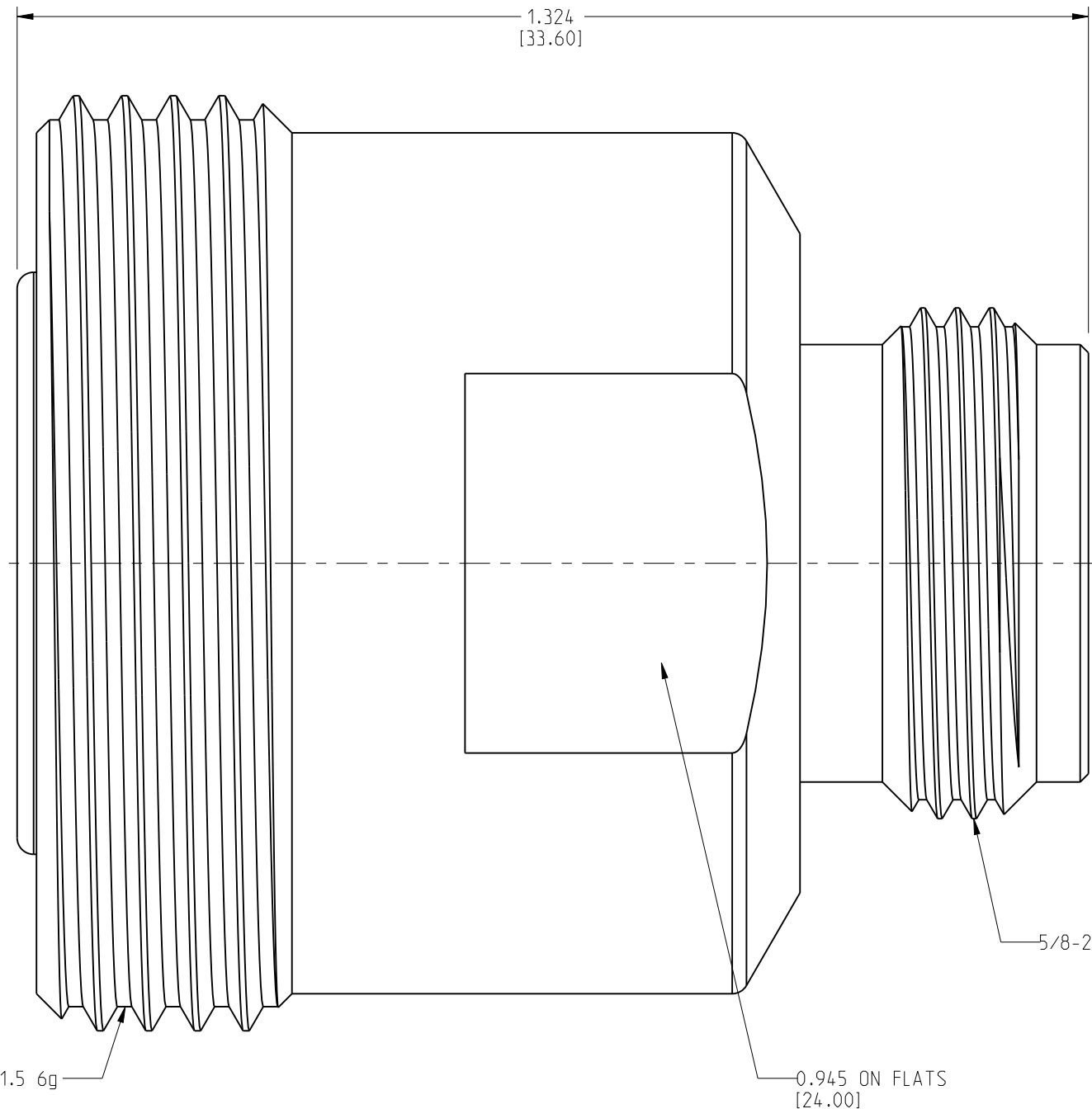
III. MATERIAL AND PLATING:

INNER CONDUCTOR : SPRING COPPER PLATING Ag5 μ m
 OUTER CONDUCTOR : BRASS PLATING COPPER-TIN-ZINC 2 μ m
 INSULATOR : PTFE

IV. ENVIRONMENT

TEMP RANGE : $-55^{\circ}C$ TO $+155^{\circ}C$
 WATERPROOF STANDARD IP67
 ROHS COMPLIANT

242137		REVISIONS			
DRAWING NO.	REV	DESCRIPTION	DATE	ECO	APPR
THIRD ANGLE PROJ.	NC	INITIAL RELEASE	13-Jun-99	--	
	A	UPDATE DRAWING FORMAT / MODIFY PLATING SPEC	22-May-05	--	
	B	REVISE BODY DESIGN	31-Mar-09	--	
	C	ADDED NOTES , ISOMETRIC VIEW & LOW PIM ADDED IN DESCRIPTION	01-Oct-12	2386	KR



SCALE 1:500

3	INSULATOR	PTFE	NATURAL	1
2	INNER CONDUCTOR	SPRING COPPER	SILVER	1
1	OUTER CONDUCTOR	BRASS	WHITE BRONZE	1
NO	DESCRIPTION	MATERIAL	FINISH	QTY

UNLESS OTHERWISE SPECIFIED, DIMENSIONS ARE IN INCHES AND TOLERANCES ARE: 2 PLACE DECIMAL ± 0.015 (0,381 mm) 3 PLACE DECIMAL ± 0.005 (0,127 mm) ANGLES $\pm 1^{\circ}$	MATERIAL	DRAWN KARTHIK R	DATE 01-Oct-12	TITLE 7/16 FEMALE TO N FEMALE ADAPTER, LOW PIM	Amphenol Connex	
	REFERENCE	ENGINEER KARTHIK R	DATE 01-Oct-12			
NOTICE - These drawings, specifications, or other data (1) are, and remain the property of Amphenol Corp. (2) must be returned upon request; and (3) are confidential and not to be disclosed to any person other than those to whom they are given by Amphenol Corp. The furnishing of these drawings, specifications, or other data by Amphenol Corp., or to any other person to anyone for any purpose is not to be regarded by implication or otherwise in any manner licensing, granting rights or permitting such holder or any other person to manufacture, use or sell any product, process or design, patented or otherwise, that may in any way be related to or disclosed by said drawings, specifications, or other data.		APPROVED	DATE		SCALE: 5.2:1	SHEET 1 OF 1
		CAD FILE			DWG SIZE B	DRAWING NO. 242137

Mouser Electronics

Authorized Distributor

Click to View Pricing, Inventory, Delivery & Lifecycle Information:

[Amphenol:](#)

[242137](#)