

D-SUB bus connector - SUBCON-PLUS-M/AX 9 - 2904467

Please be informed that the data shown in this PDF Document is generated from our Online Catalog. Please find the complete data in the user's documentation. Our General Terms of Use for Downloads are valid (<http://phoenixcontact.com/download>)



D-SUB plug, 9-pos., pin, axial design with two cable entries, universal type for all systems, pin assignment: 1, 2, 3, 4, 5, 6, 7, 8, 9 to screw connection terminal block


Your advantages

- Assembly under field conditions
- Separate terminal blocks for each cable
- High transmission speed
- Easy assembly thanks to knurled screws
- High level of EMC
- For universal use



RS-485  Modbus RS-232 RS-422

Key Commercial Data

| | |
|--------------|---|
| Packing unit | 1 pc |
| GTIN |  4 046356 825573 |
| GTIN | 4046356825573 |

Technical data

Dimensions

| | |
|---------------------|---------|
| Max. cable diameter | 8.4 mm |
| Min. cable diameter | 7.6 mm |
| Width | 17 mm |
| Height | 31.5 mm |
| Length | 58.2 mm |

Ambient conditions

| | |
|---|--|
| Ambient temperature (operation) | -20 °C ... 75 °C |
| Ambient temperature (storage/transport) | -25 °C ... 80 °C |
| Altitude | 5000 m (For restrictions see manufacturer's declaration) |
| Degree of protection | IP30 |

D-SUB bus connector - SUBCON-PLUS-M/AX 9 - 2904467

Technical data

General

| | |
|-----------------------------|--|
| Nominal voltage U_N | 50 V DC |
| Nominal current I_N | 100 mA |
| Bus system | Universal type for all systems |
| Signal | RS-232 |
| | RS-422 |
| | RS-485 |
| Insertion/withdrawal cycles | > 200 |
| SUBCON fixing screws | 4-40 UNC |
| Tightening torque | 0.4 Nm |
| Housing material | ABS, metal-plated |
| Pin assignment | 1, 2, 3, 4, 5, 6, 7, 8, 9 |
| MTTF | 6706 Years (SN 29500 standard, temperature 25 °C, operating cycle 21 % (5 days a week, 8 hours a day)) |
| | 1817 Years (SN 29500 standard, temperature 40 °C, operating cycle 34.25 % (5 days a week, 12 hours a day)) |
| | 155 Years (SN 29500 standard, temperature 40 °C, operating cycle 100 % (7 days a week, 24 hours a day)) |

Connection data

| | |
|--|----------------------|
| Connection | D-SUB connection |
| Number of positions | 9 |
| Connection method | D-SUB connector |
| Tightening torque | 0.4 Nm |
| Torque | 0.4 Nm |
| Connection | PCB connection |
| Connection method | Screw connection |
| Conductor cross section flexible min. | 0.14 mm ² |
| Conductor cross section flexible max. | 0.5 mm ² |
| Conductor cross section solid min. | 0.14 mm ² |
| Conductor cross section solid max. | 0.5 mm ² |
| Min. AWG conductor cross section, flexible | 26 |
| Max. AWG conductor cross section, flexible | 20 |
| Conductor cross section AWG min. | 26 |
| Conductor cross section AWG max. | 20 |
| Stripping length | 4.5 mm |
| Torque | 0.4 Nm |

Standards and Regulations

| | |
|---|--|
| Free from substances that could impair the application of coating | according to P-VW 3.10.7 57 65 0 VW-AUDI-Seat central standard |
| ATEX | # II 3 G Ex nA IIC T4 Gc X |
| Noxious gas test | ISA-S71.04-1985 G3 Harsh Group A |

Environmental Product Compliance

D-SUB bus connector - SUBCON-PLUS-M/AX 9 - 2904467

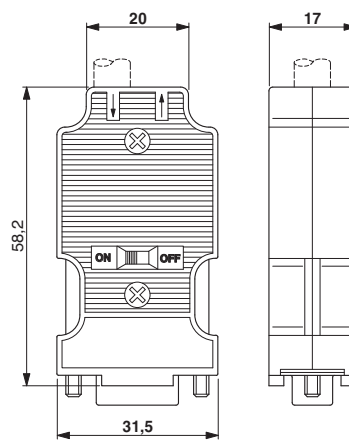
Technical data

Environmental Product Compliance

| | |
|------------|---|
| REACH SVHC | Lead 7439-92-1 |
| China RoHS | Environmentally Friendly Use Period = 50 |
| | For details about hazardous substances go to tab "Downloads", Category "Manufacturer's declaration" |

Drawings

Dimensional drawing



Dimensional drawing SUBCON-PLUS-.../AX...

Approvals

Approvals

Approvals

UL Recognized / cUL Recognized / EAC / cULus Recognized

Ex Approvals

ATEX


Approval details

| | | | |
|---------------|--|---|---------------|
| UL Recognized | | http://database.ul.com/cgi-bin/XYV/template/LISEXT/1FRAME/index.htm | FILE E 238705 |
|---------------|--|---|---------------|

D-SUB bus connector - SUBCON-PLUS-M/AX 9 - 2904467

Approvals

| | | | |
|----------------|---|---|---------------|
| cUL Recognized |  | http://database.ul.com/cgi-bin/XYV/template/LISEXT/1FRAME/index.htm | FILE E 238705 |
|----------------|---|---|---------------|

| | | |
|-----|---|---------------|
| EAC |  | EAC-Zulassung |
|-----|---|---------------|

| | |
|------------------|---|
| cULus Recognized |  |
|------------------|---|

Phoenix Contact 2019 © - all rights reserved
<http://www.phoenixcontact.com>

PHOENIX CONTACT GmbH & Co. KG
Flachsmarktstr. 8
32825 Blomberg
Germany
Tel. +49 5235 300
Fax +49 5235 3 41200
<http://www.phoenixcontact.com>