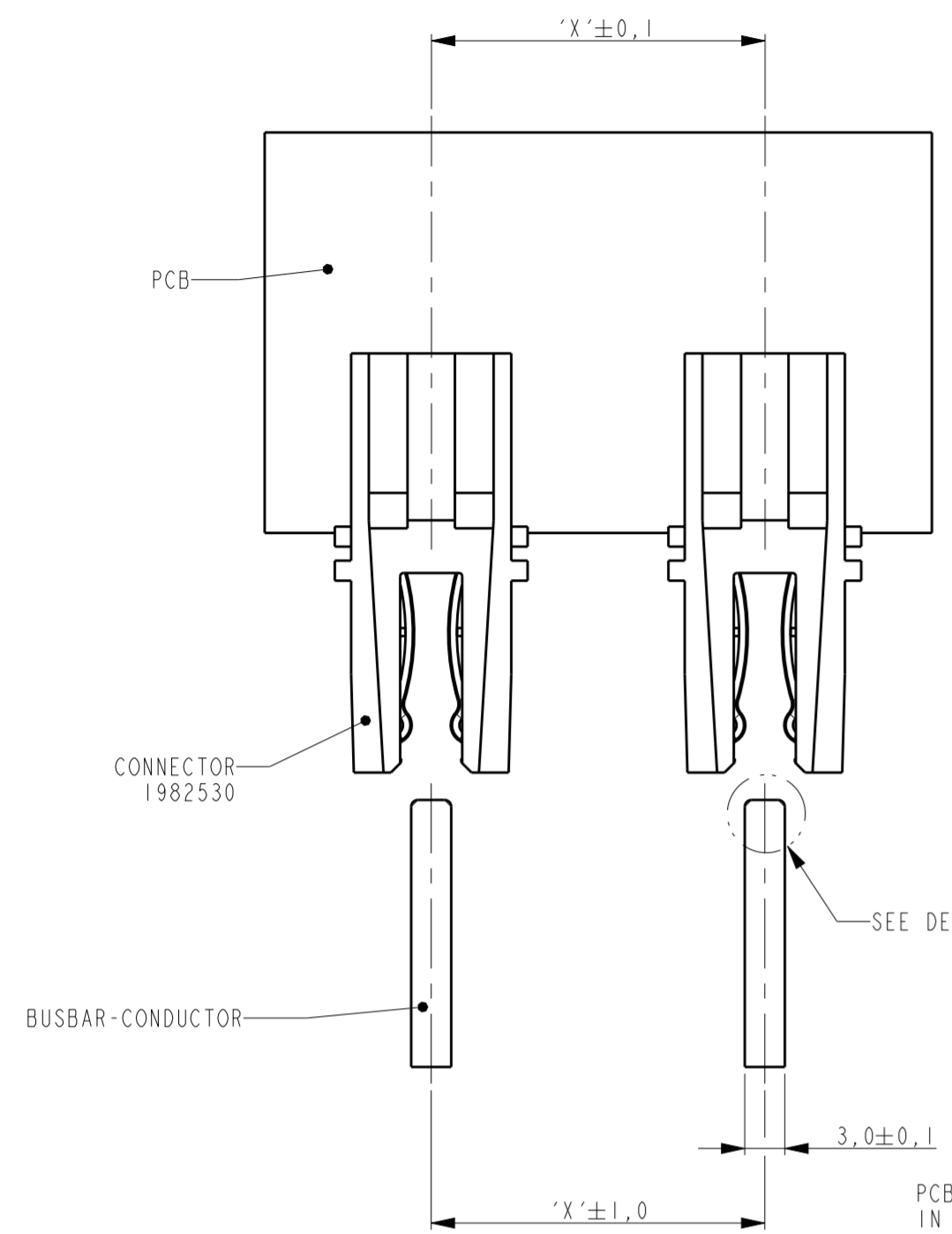
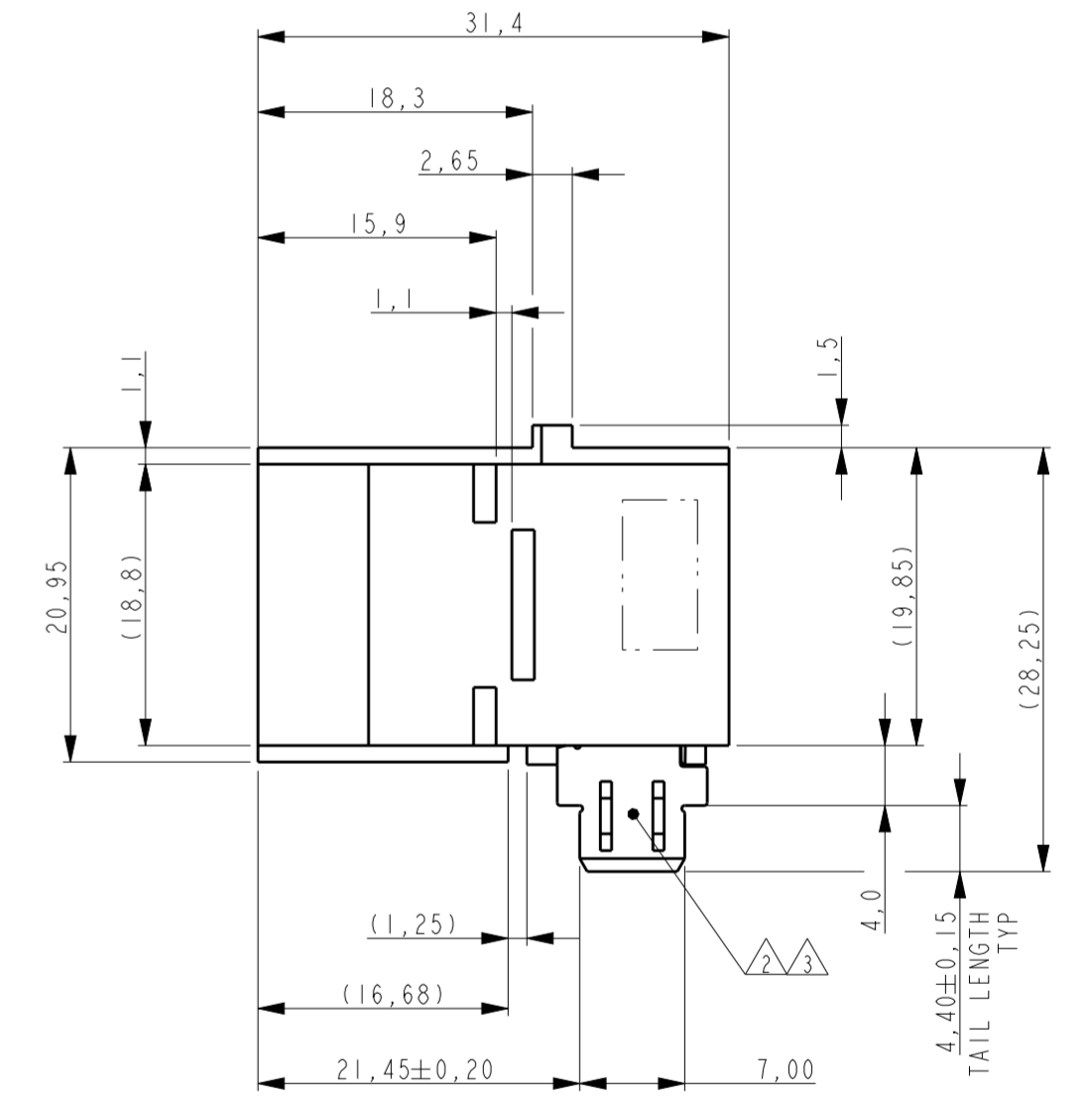
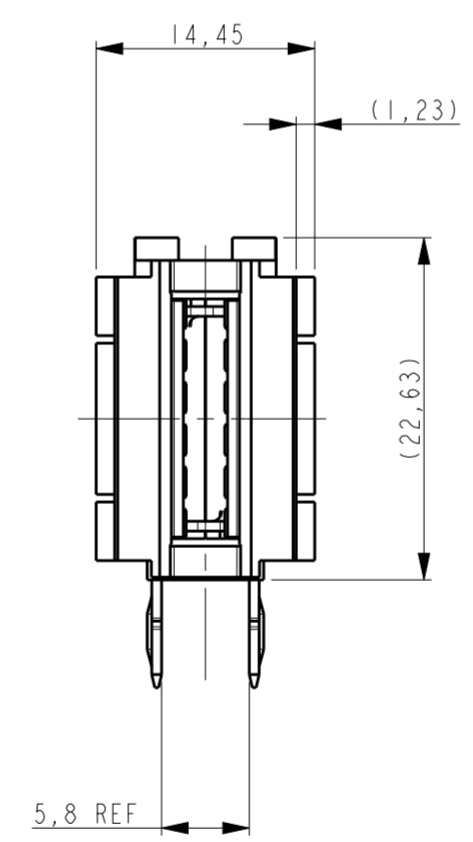
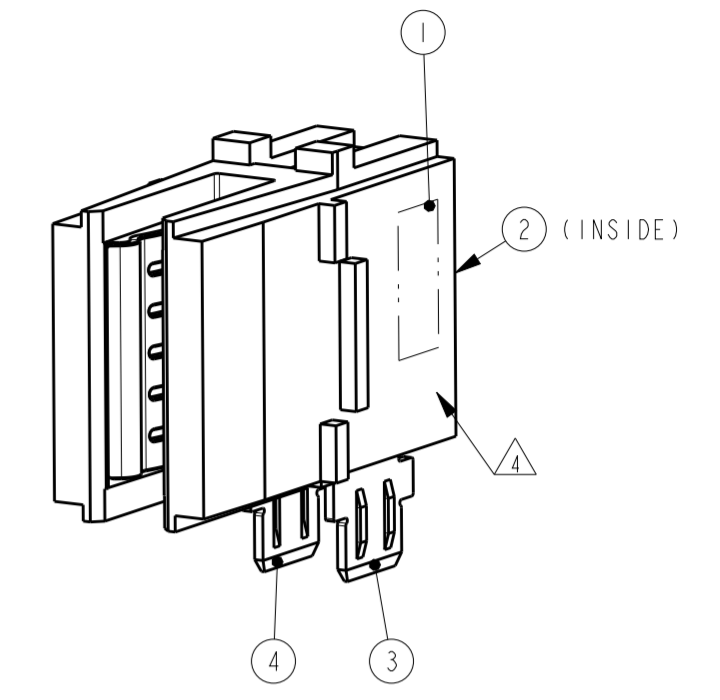
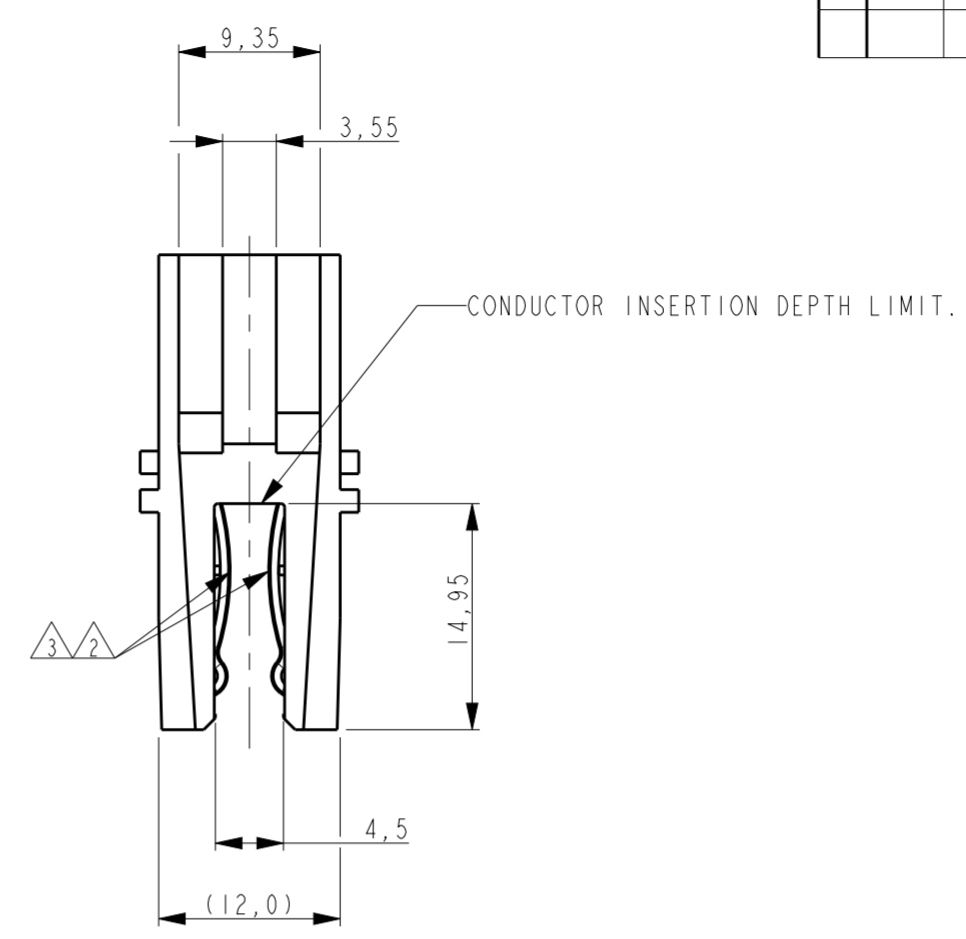
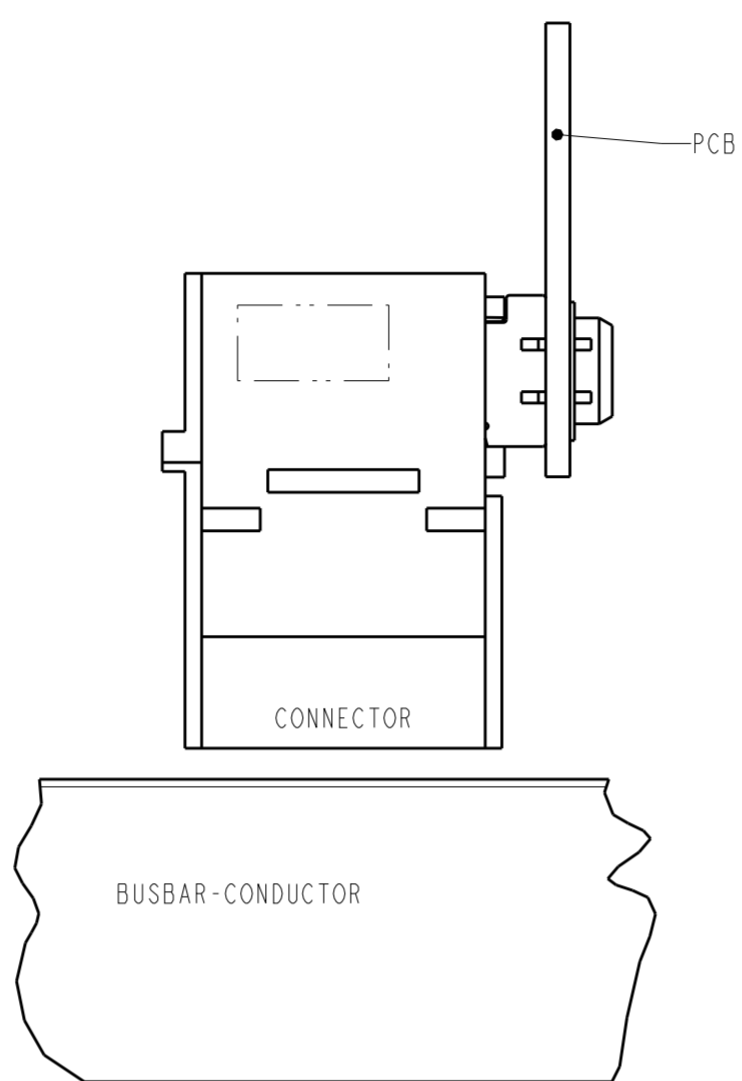


THIS DRAWING IS UNPUBLISHED. RELEASED FOR PUBLICATION  
 © COPYRIGHT - BY - TE CONNECTIVITY ALL RIGHTS RESERVED.

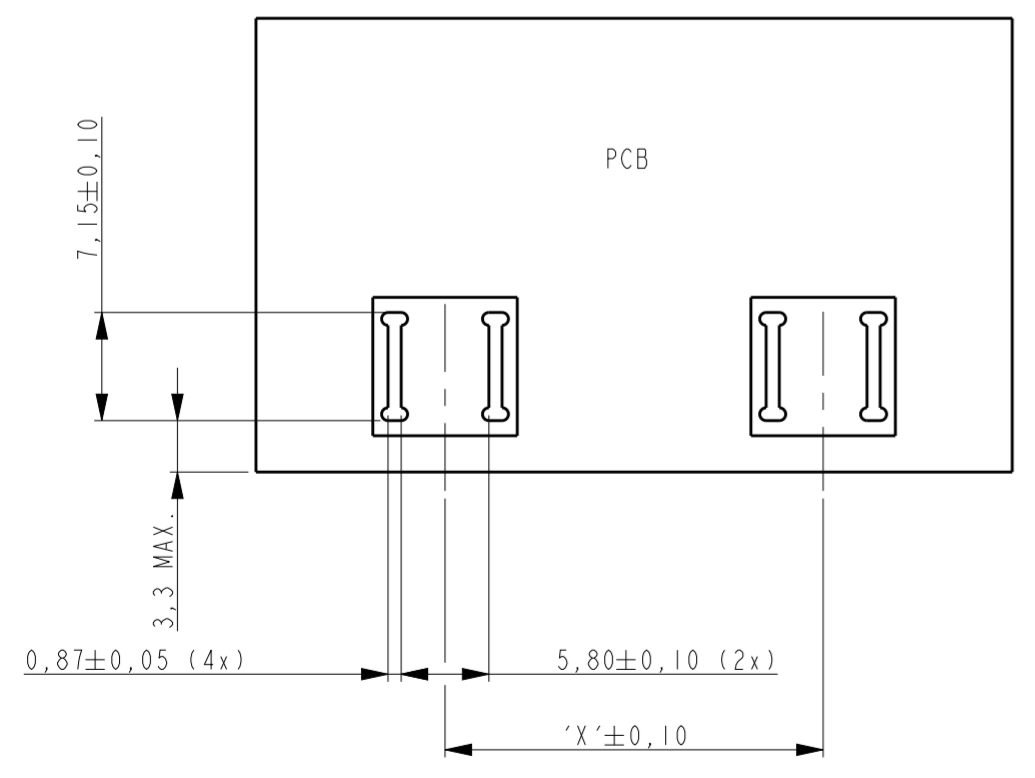
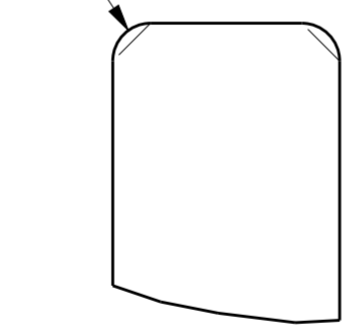
LOC	DIST	REVISIONS			
P	LTR	DESCRIPTION	DATE	DWN	APVD
ES	00	A3	REV PER ECR-15-005882	20APR2015	ML SZ



PCB AND BUSBAR-CONDUCTORS, IN THESE VIEWS ARE SHOWN FOR REFERENCE ONLY.



RADIUSED OR CHAMFERED EDGE ON BUSBAR-CONDUCTOR RECOMMENDED



RECOMMENDED PCB LAY-OUT  
THICKNESS: 1,5 - 2,0mm

- NOTES:
- 1 PCB MUST BE SUPPORTED WHILE INSERTING THE CONNECTOR IN THE SLOTS TO AVOID BENDING OF THE BOARD.
  - 2 PLATING: 1,2µm MIN. NICKEL UNDERLAYER ALLOY.
  - 3 3,0µm MIN. TIN IN INDICATED AREA'S.
  - 4 AREA FOR DATE-CODE.
  - 5 MATERIAL:  
POWER CONTACT: HIGH CONDUCTIVITY COPPER ALLOY.  
HOUSING: THERMOPLASTIC, BLACK, UL94 V-0.

ITEM NO.	DESCRIPTION	MATERIAL	FINISH	QTY.
4	CONTACT LEFT	COPPER ALLOY	2 3	1
3	CONTACT RIGHT	COPPER ALLOY	2 3	1
2	CLIP	STAINLESS STEEL	-	1
1	HOUSING	PBT	BLACK	1

THIS DRAWING IS A CONTROLLED DOCUMENT.

DIMENSIONS:	TOLERANCES UNLESS OTHERWISE SPECIFIED:	DWN SUDHAKAR 12 sep 12	TE Connectivity <b>PLUGGABLE BUSBAR CONNECTOR SOLDER VERSION CROWN CLIP JUNIOR</b>
mm		CHK SUDHAKAR 12 sep 12	
		APVD RAJENDRA 12 sep 12	
		PRODUCT SPEC 108-19360	
MATERIAL		APPLICATION SPEC 114-19128	SIZE A2
		WEIGHT -	CAGE CODE 00779
		Customer Drawing	DRAWING NO. C-2178410
			RESTRICTED TO -
			SCALE 2:1
			SHEET 1 OF 1
			REV A3

# Mouser Electronics

Authorized Distributor

Click to View Pricing, Inventory, Delivery & Lifecycle Information:

[TE Connectivity:](#)

[2178410-1](#)