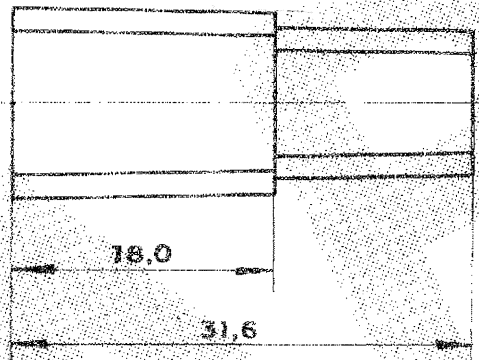
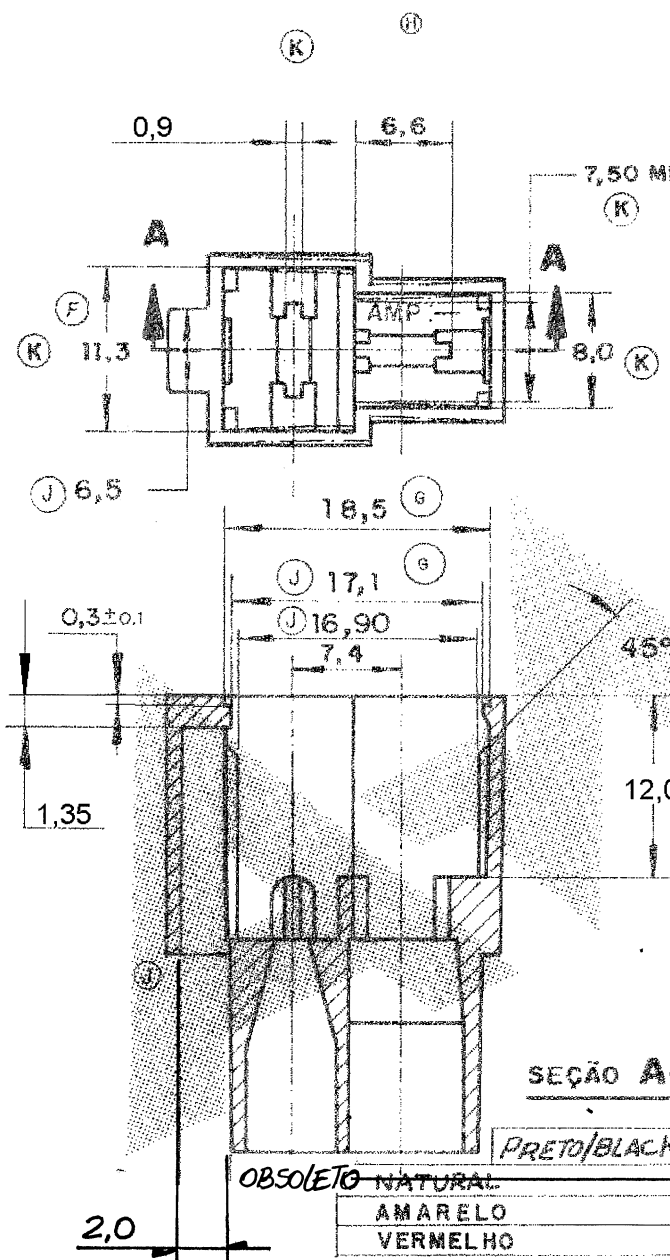
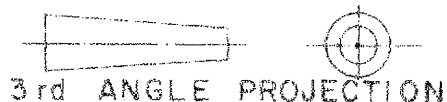


DO NOT SCALE  
DIMENSIONS IN MM.

**METRIC**



- (K) 1 - PAREDES NÃO ESPECIFICADAS 1,0  
UNSPECIFIED WALL THK 1,0
- 2 - PA 6.6 NATURAL, MATERIAL ACC. TO SPEC.  
IEC 60335-1, GWT 750°C, WITHOUT FLAME.
- 3 ESTABILIZADO AO CALOR  
HEAT STABILIZED
- 4 OBSOLETE PARTS: OBSOLETE CIS  
STREAMLINING PER D.RENAUD/D.SINISI

SEÇÃO A-A

OTHER TREATMENT	FINISH	MATERIAL	PART NUMBER
PRETO/BLACK		PA 6.6	- 9
<del>OBSOLETO</del> NATURAL		NYLON 6.6 VO	6
AMARELO			- 7
VERMELHO			- 6
PRETO		NYLON 6,6	- 5
<del>OBSOLETO</del> AMARELO TINGIDO			- 4
<del>OBSOLETO</del> VERMELHO TINGIDO			- 3
<del>OBSOLETO</del> PRETO TINGIDO		FEITO DO 1	- 2
NATURAL		NYLON 6,6	880 310 - 1

**CUSTOMER DWG**  
for REFERENCE ONLY

TOLERANCES UNLESS OTHERWISE STATED  
DEC ±0,3  
ANGLES ±1°

INS DIA. RANGE WIRE RANGE SCALE



DESCRIPTION  
2 WAY .250 S. FASTIN-ON TAB HSG.

PI	Rev. Eco 17.013915	HC	HC	21SEP17
P	REVISED BY ECO 12-002341	HC	WLS	06FEB12
N2	REVISED PER ECO-11-005139	RK	HMR	28MAR11
ISS	REVISION RECORD	DR	APR	DATE

DWG NO  
A 4 C 880 310  
SHEET 1 of 1

# Mouser Electronics

Authorized Distributor

Click to View Pricing, Inventory, Delivery & Lifecycle Information:

[TE Connectivity:](#)

[880310-1](#)