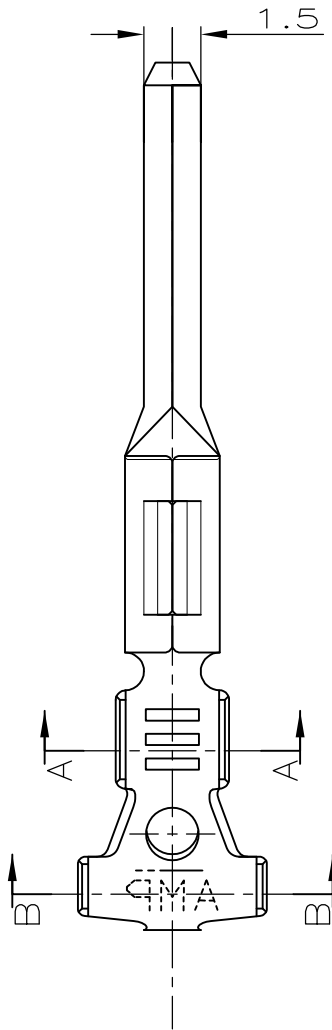
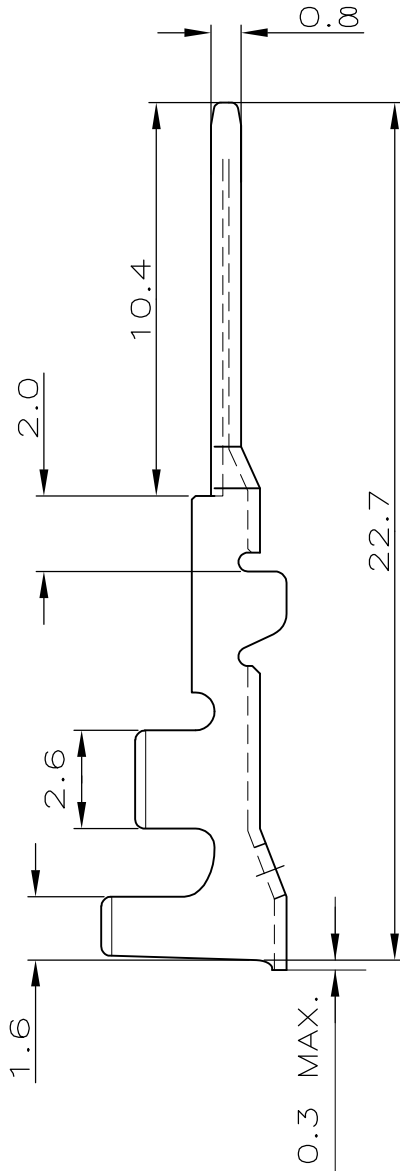
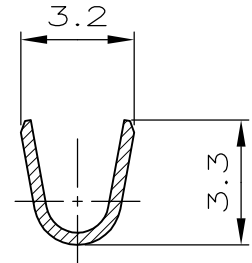


METRIC

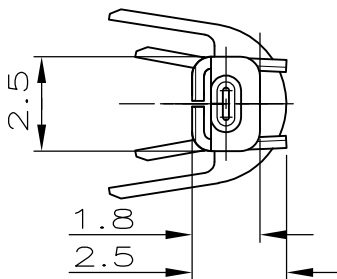
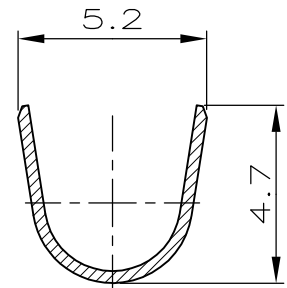
LOC	DIST	REVISIONS					
I	—	P	LTR	DESCRIPTION	DATE	DWN	APVD
		C1		REVISED PER ECO-11-005033	1APR11	RK	HMR



PARTIAL SECTION A-A



PARTIAL SECTION B-B



- ① RICAVATO DAL P/N 282109-1 (MADE FROM P/N 282109-1)
- ② ADATTO PER GOMMINO PASSACAVO 281934-... (SUITABLE FOR SINGLE WIRE SEAL 281934-...)

DIAM. ISOLANTE (INS. DIA. RANGE)	RANGO FILO (WIRE RANGE)
②	0.75-1.5mm ²

PRESTAGNATO (PRE-TIN PLTD.)	OTTONE (BRASS)	① 183024-1
FINITURA / COLORE (FINISH / COLOUR)	MATERIALE (MATERIAL)	NUMERO (PART NUMBER)

CUSTOMER DWG. FOR REFERENCE ONLY

DISEGNO PER CLIENTE SOLO PER RIFERIMENTO

RELEASED FOR PUBLICATION

ALL RIGHTS RESERVED.

THIS DRAWING IS UNPUBLISHED.

© COPYRIGHT - By -

DIMENSIONS: mm	DWN	BASSANO	9 NOV.90	MATERIAL	-	FINISH	-
	CHK	A.BRUNI	9 NOV.90	TE Connectivity			
TOLERANCES UNLESS OTHERWISE SPECIFIED:	APVD	-					
0 PLC ± -	PRODUCT SPEC	-		NAME MINI MIC SRS TAB CONTACT (LOOSE PIECE VERSION)			
1 PLC ± 0.3	APPLICATION SPEC	-					
2 PLC ± -	WEIGHT	-		SIZE	A4	CAGE CODE	00779
3 PLC ± -				DRAWING NO	C-183024		RESTRICTED TO
4 PLC ± -							-
ANGLES ± 2°							
CUSTOMER DRAWING				SCALE	5:1	SHEET	1 OF 1
							REV C1

Mouser Electronics

Authorized Distributor

Click to View Pricing, Inventory, Delivery & Lifecycle Information:

[TE Connectivity:](#)

[183024-1](#)