

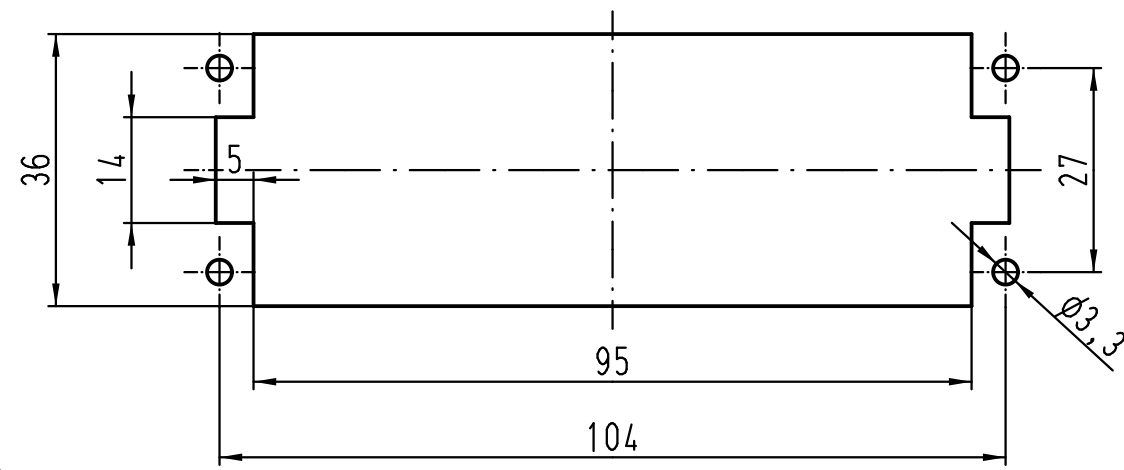
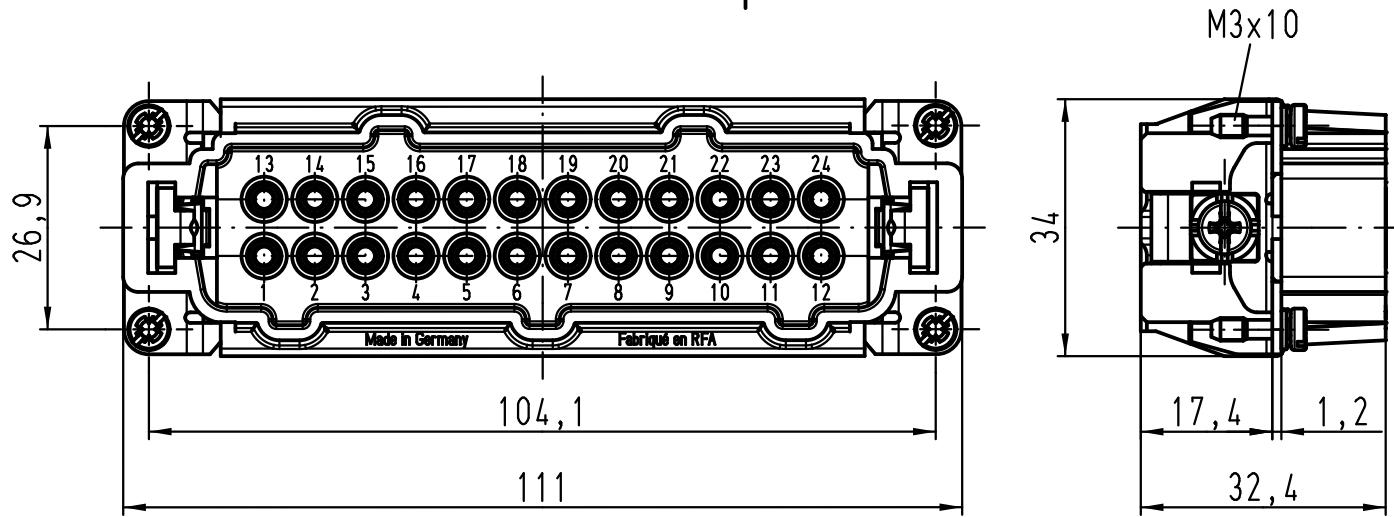
1 2 3 4 5 6

A

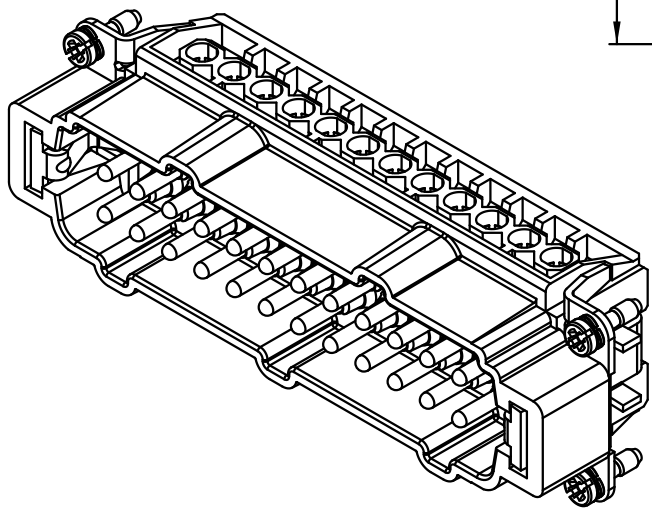
B

C

D



Montageausschnitt
panel cut out



	All Dimensions in mm Original Size DIN A 4			Techn. Character.		Nicht tolerierte Maß/Free size tolerances		
				Dat.	Name	Maßstab/Scale		
				Detail.	02.09.11	Spr	1:1	
				Insp.		Tie		
				Stand.				
A				HARTING Electric GmbH & Co. KG D-32339 Espelkamp			TB 09 33 024 2601	
Mod.	Dat.	Name					Sub. TB 09 33 024 2601 v. 09.04.98	
							Blatt/ page	

Mouser Electronics

Authorized Distributor

Click to View Pricing, Inventory, Delivery & Lifecycle Information:

[HARTING:](#)

[09330242601](#)