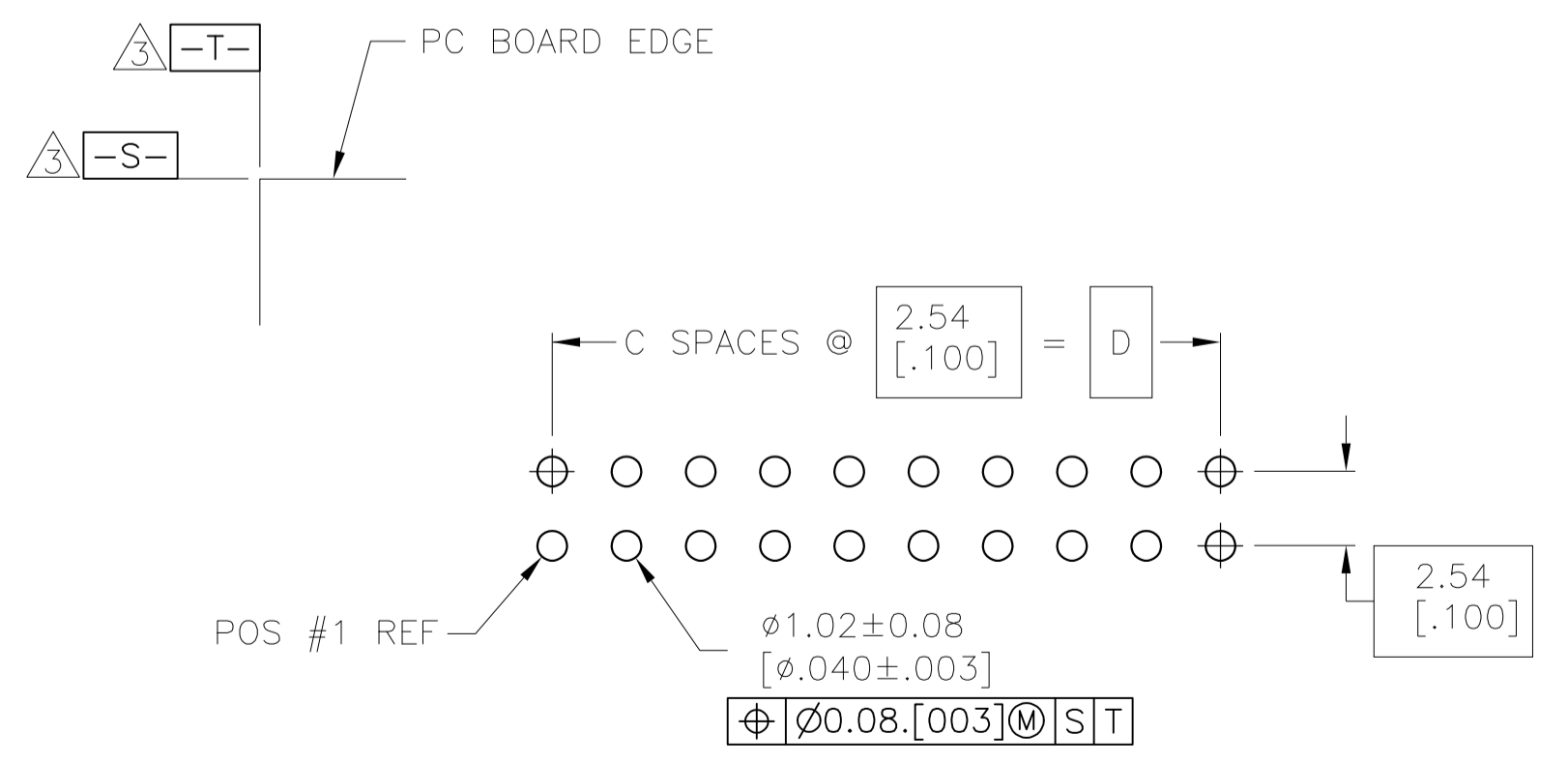
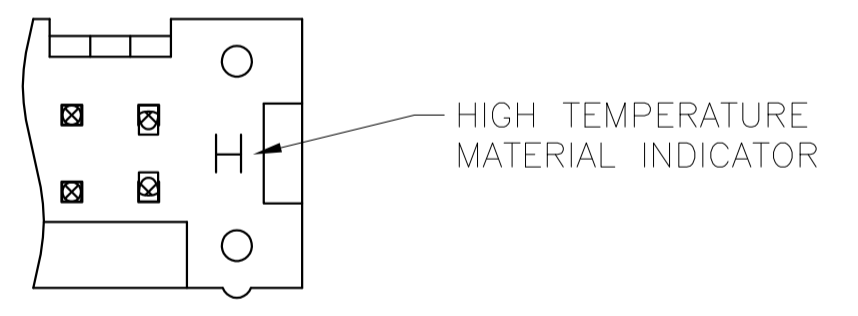
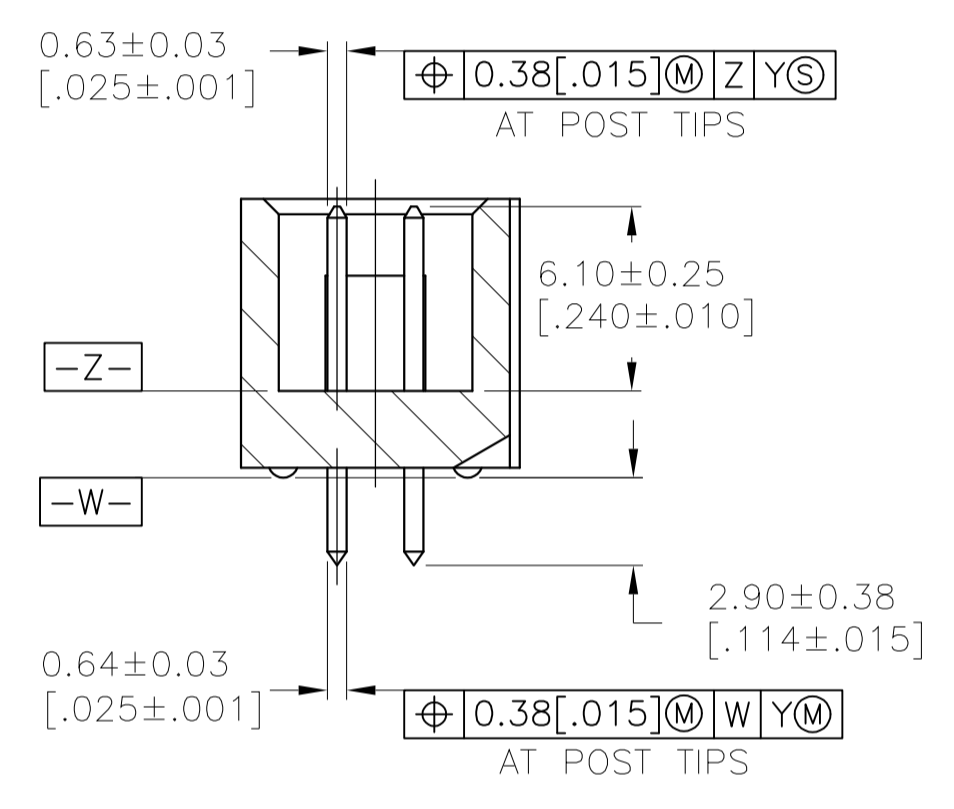
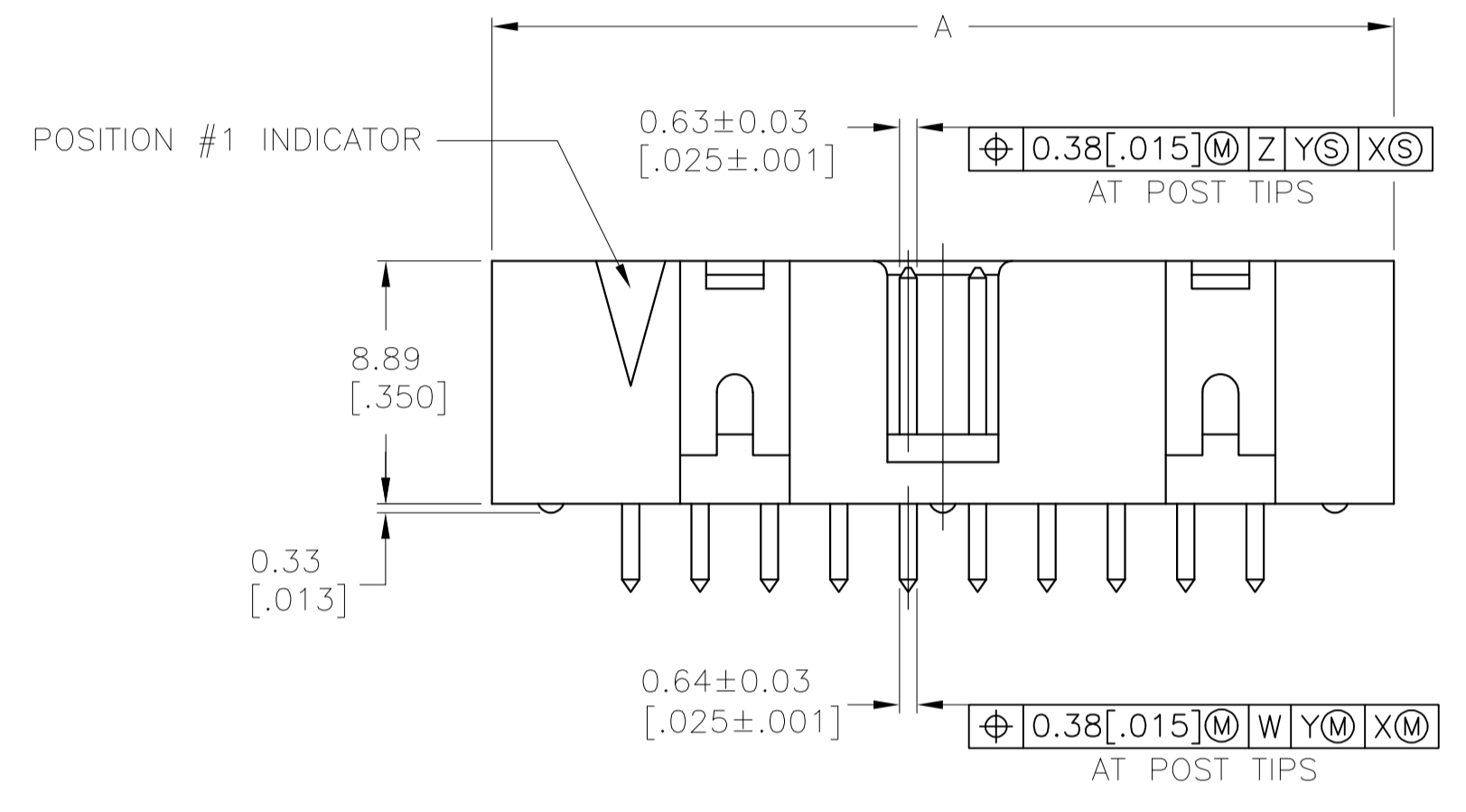




- △ HOUSING: PCT, UL94V-0, COLOR BLACK.
- △ POSTS: PHOSPHOR BRONZE.
- △ POSTS: 0.00038[.000015] MIN GOLD ON MATING AREA, 0.00254[.000100] MIN TIN ON SOLDER END, ALL OVER 0.00127[.000050] MIN NICKEL ON ENTIRE POST.
- △ DATUMS S & T TO BE ESTABLISHED BY CUSTOMER.
- △ NO KEYING SLOT ON THIS END FOR 6, 8, 10 & 14 POSITION ASSEMBLIES.
- △ NO KEYING SLOT ON THIS END FOR 6, 8 & 10 POSITION ASSEMBLIES.



RECOMMENDED PC BOARD LAYOUT (VIEWED FROM CONNECTOR SIDE)

| | | | | | | |
|----------|---------------|----|---------------|---------------|-----------|-------------|
| | 78.74 [3.100] | 31 | 86.36 [3.400] | 88.90 [3.500] | 64 | 1-1761681-7 |
| OBSOLETE | 73.66 [2.900] | 29 | 81.28 [3.200] | 83.82 [3.300] | 60 | 1-1761681-6 |
| | 60.96 [2.400] | 24 | 68.58 [2.700] | 71.12 [2.800] | 50 | 1-1761681-5 |
| | 48.26 [1.900] | 19 | 55.88 [2.200] | 58.42 [2.300] | 40 | 1-1761681-3 |
| | 40.64 [1.600] | 16 | 48.26 [1.900] | 50.80 [2.000] | 34 | 1-1761681-1 |
| | 30.48 [1.200] | 12 | 38.10 [1.500] | 40.64 [1.600] | 26 | 1761681-9 |
| OBSOLETE | 27.94 [1.100] | 11 | 35.56 [1.400] | 38.10 [1.500] | 24 | 1761681-8 |
| | 22.86 [0.900] | 9 | 30.48 [1.200] | 33.02 [1.300] | 20 | 1761681-7 |
| | 17.78 [0.700] | 7 | 25.40 [1.000] | 27.94 [1.100] | 16 | 1761681-6 |
| | 15.24 [0.600] | 6 | 22.86 [0.900] | 25.40 [1.000] | 14 | 1761681-5 |
| | 10.16 [0.400] | 4 | 17.78 [0.700] | 20.32 [0.800] | 10 | 1761681-3 |
| OBSOLETE | 7.62 [0.300] | 3 | 15.24 [0.600] | 17.78 [0.700] | 8 | 1761681-2 |
| | 5.08 [0.200] | 2 | 12.70 [0.500] | 15.24 [0.600] | 6 | 1761681-1 |
| | D | C | B | A | NO OF POS | PART NUMBER |

THIS DRAWING IS A CONTROLLED DOCUMENT.

| | | | |
|-------------|--|-------------|-------------|
| DIMENSIONS: | TOLERANCES UNLESS OTHERWISE SPECIFIED: | APPROVED: | NAME: |
| mm [INCHES] | 0 PLC ± - | J. GERACE | J. GERACE |
| | 1 PLC ± - | S. BOLASH | S. BOLASH |
| | 2 PLC ± - | M. WALMSLEY | M. WALMSLEY |
| | 3 PLC ± 0.13[.005] | | |
| | 4 PLC ± - | | |
| | ANGLES ± - | | |

TE Connectivity

HEADER ASSEMBLY, VERTICAL, LOW PROFILE, IDC

SIZE: A1 CAGE CODE: 00779 DRAWING NO: 1761681

WEIGHT: RESTRICTED TO: CUSTOMER DRAWING SCALE: 4:1 SHEET: 1 OF 1 REV: A1

Mouser Electronics

Authorized Distributor

Click to View Pricing, Inventory, Delivery & Lifecycle Information:

[TE Connectivity:](#)

[1-1761681-3](#)