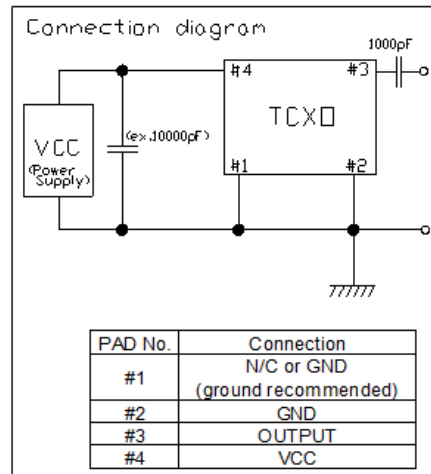
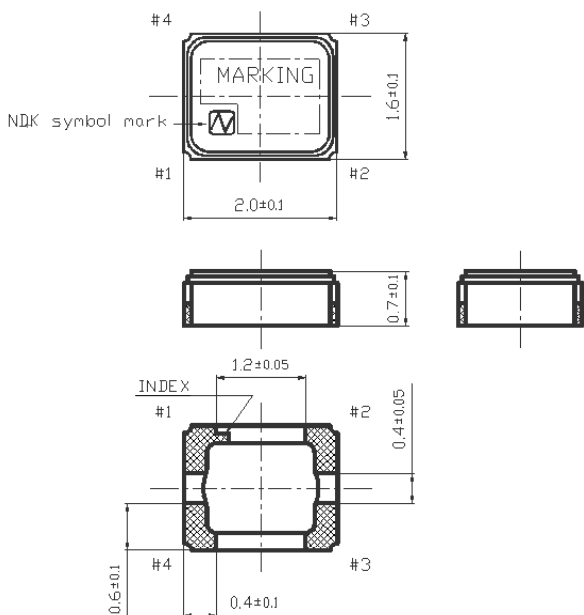


<b>1</b>	<b>NDK Part Number</b>	NT2016SA-26.000000MHz-NBG2
<b>2</b>	<b>Chipset Maker</b>	<a href="#">Please contact us</a>
<b>3</b>	<b>Application</b>	GPS on mobile phone
<b>4</b>	<b>Chipset Name</b>	<a href="#">Please contact us</a>
<b>5</b>	<b>NDK Specification Number</b>	NSA0345C
<b>6</b>	<b>Type</b>	NT2016SA
<b>7</b>	<b>Rating</b>	
7.1	Nominal Frequency ( $f_{nom}$ )	26 MHz ( 2 digits marking)
7.2	Supply Voltage	+1.8 V +/-5 % DC (-Earth)
7.3	Current Consumption	Max. 1.5 mA
7.4	Output Voltage	Min. 0.8 V <sub>p-p</sub> Clipped sine wave (DC-Coupling)
7.5	Operable Temperature Range	-30 to +85 °C
7.6	Storage Temperature Range	-40 to +85 °C
7.7	Load impedance	10 kΩ // 10 pF
7.8	DC-cut Capacitor	DC-cut capacitor of output is not put in TCXO. Please add DC-cut capacitor (1000 pF) in output line.
<b>8</b>	<b>Electrical specification</b>	
<b>8.1</b>	<b>Frequency Stability</b>	
8.1.1	Frequency / Temperature characteristics	Max. +/-0.5 ppm / -30 to +85 °C (Based on frequency at +25 +/-2 °C)
8.1.2	Frequency temperature slope	Max. +/-0.1 ppm/°C / -30 to +85°C (Minimum of one measurement every 2 °C)
8.1.3	Frequency / Voltage coefficient	Max. +/-0.1 ppm / +1.8 V +/-5 %
8.1.4	Frequency / Load coefficient	Max. +/-0.2 ppm / (10 kΩ // 10 pF) +/-10%
8.1.5	Frequency tolerance	Max. +/-2.0 ppm (at +25 +/-2 °C, after 2times reflow soldering, based on nominal frequency)
8.1.6	Long-term Frequency Stability	Max. +/-1.0 ppm / year
8.2	Short-term frequency stability	Max. 1.0 ppb (Tau=0.1s)
8.3	Start-up time	Max. 2.0 ms (to 90% of output amplitude)
8.4	Stabilization Time	Max. 2.0 ms (Within +/-0.5ppm of final frequency)
8.5	Harmonic distortion	Max. -5.0 dBc
8.6	Symmetry	40 to 60 %
8.7	Phase Noise	Max. -83 dBc/Hz (at 10 Hz offset) Max. -108 dBc/Hz (at 100 Hz offset) Max. -132 dBc/Hz (at 1k Hz offset) Max. -146 dBc/Hz (at 10k Hz offset) Max. -150 dBc/Hz (at 100k Hz offset)

**9 Dimension of external (Unit: mm)**



# Mouser Electronics

Authorized Distributor

Click to View Pricing, Inventory, Delivery & Lifecycle Information:

NDK:

[NT2016SA-26.000000MHZ-NBG2](#)