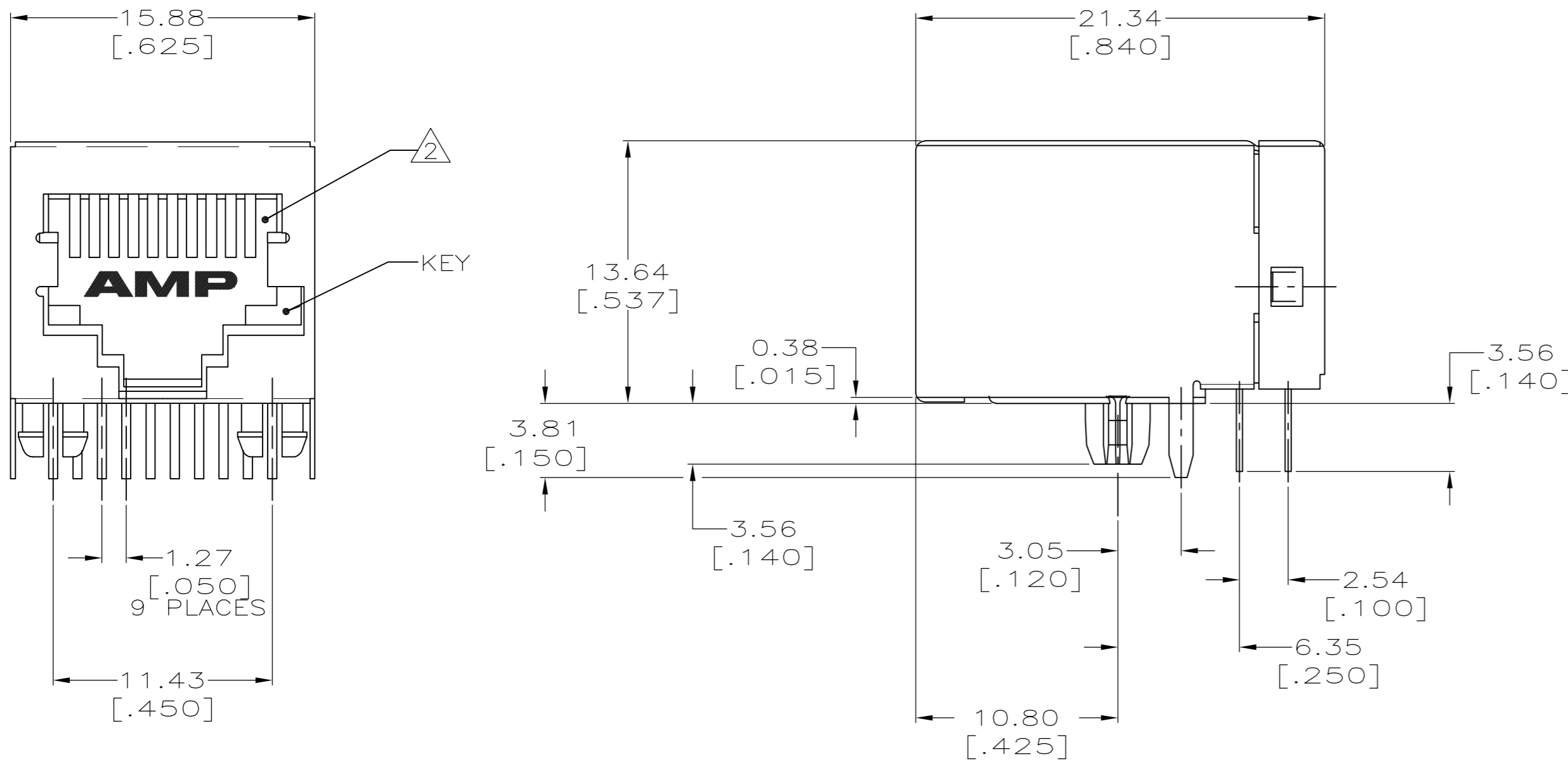
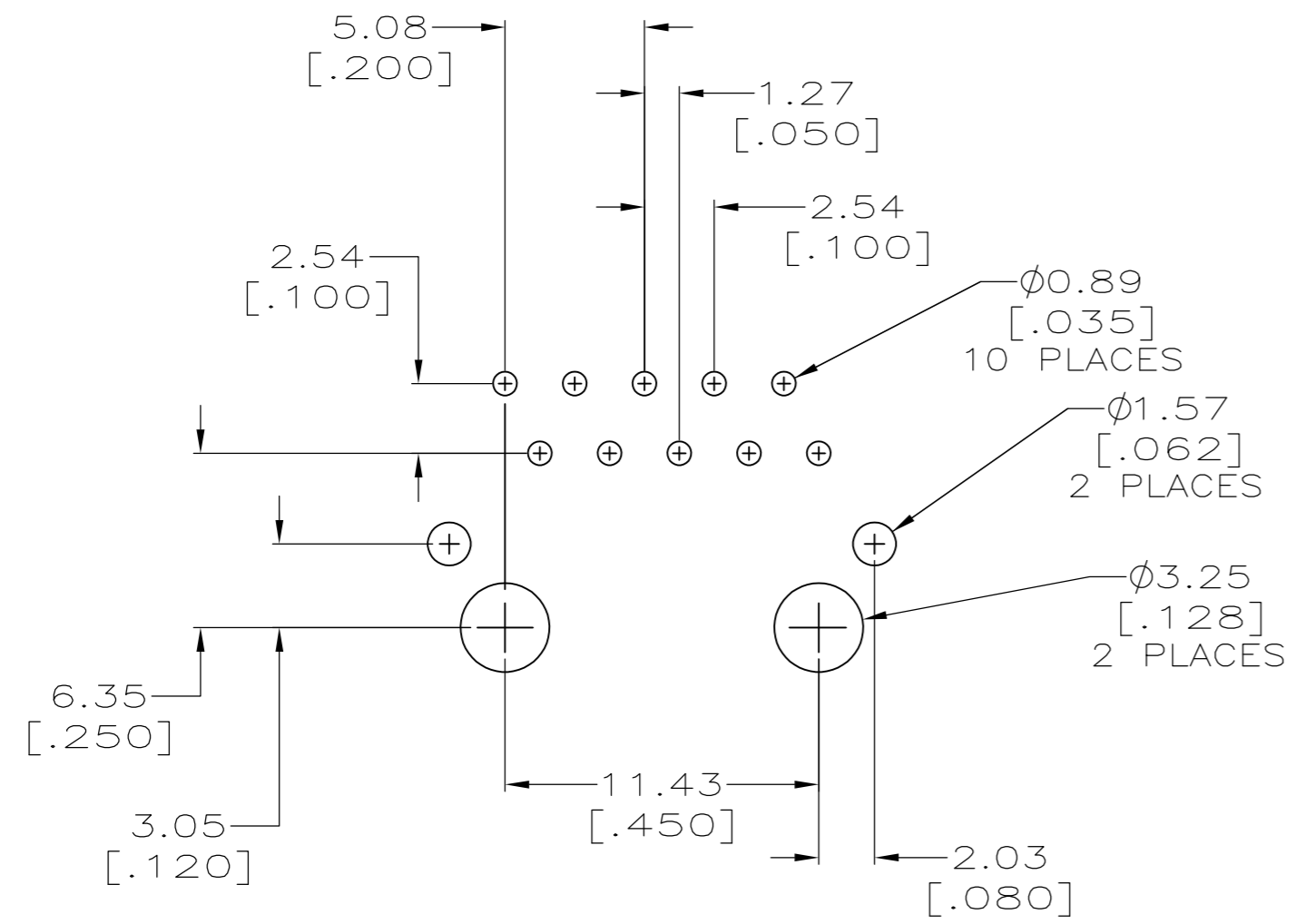


THIS DRAWING IS UNPUBLISHED. RELEASED FOR PUBLICATION  
 © COPYRIGHT - By - ALL RIGHTS RESERVED.

LOC	DIST	REVISIONS			
P	LTR	DESCRIPTION	DATE	DWN	APVD
AA	22	B	REV PER ECO-13-017998	16JAN2014	LL SH



- 1 MATERIALS:  
 HOUSING-PCT POLYESTER, BLACK, IR REFLOW COMPATIBLE, UL 94V-0.  
 TERMINALS 0.33 [.013] THICK PHOS BRONZE PLATED WITH 1.27µm [.000050] MIN THICK HARD GOLD IN LOCALIZED AREA AND 3.81µm [.000150] MIN THICK MATTE TIN IN SOLDER AREA OVER 1.27µm [.000050] MINIMUM THICK NICKEL UNDERPLATE.  
 SHIELD-0.25 [.010] THICK COPPER ALLOY PLATED WITH 1.27µm [.000050] MINIMUM THICK NICKEL AND 2.03µm [.000080] MINIMUM HOT DIP ON PCB GROUND TABS.
- 2 JACK CAVITY CONFORMS TO FCC RULES AND REGULATIONS,PART 68 SUBPART F.
- 3. DIMENSIONS ARE NOMINAL UNLESS OTHERWISE SPECIFIED.



SUGGESTED PC BOARD LAYOUT  
 VIEW SHOWN IS TOP (COMPONENT SIDE) OF PC BOARD

THIS DRAWING IS A CONTROLLED DOCUMENT.		DWN 07JUN2005 A. FERNANDEZ-DOCK5	5558068-1 PART NO	
DIMENSIONS: INCHES		CHK 07JUN2005 J. WESTMAN	TE Connectivity	
TOLERANCES UNLESS OTHERWISE SPECIFIED:		APVD 07JUN2005 S. FLICKINGER	NAME MODULAR JACK ASSEMBLY,10 POSITION, KEYED,SIDE ENTRY,LOW PROFILE, FULLY SHIELDED,PRINTED CIRCUIT GROUND	
0 PLC ± - 1 PLC ± - 2 PLC ± - 3 PLC ± 0.13 [.005] 4 PLC ± - ANGLES ± -		PRODUCT SPEC APPLICATION SPEC	SIZE A2	RESTRICTED TO -
MATERIAL	FINISH	WEIGHT -	CAGE CODE -	DRAWING NO C=5558068
CUSTOMER DRAWING		SCALE 1:1	SHEET 1 of 1	REV B

# Mouser Electronics

Authorized Distributor

Click to View Pricing, Inventory, Delivery & Lifecycle Information:

[TE Connectivity:](#)

[5558068-1](#)