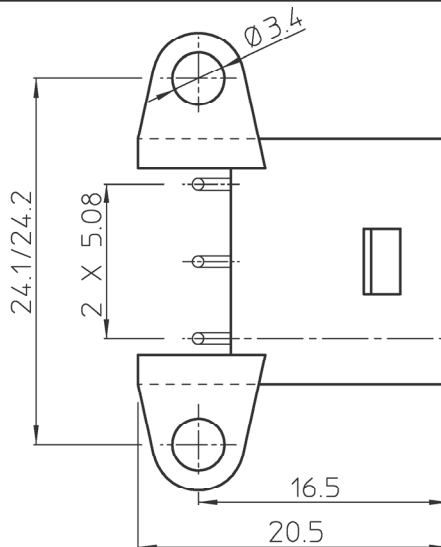
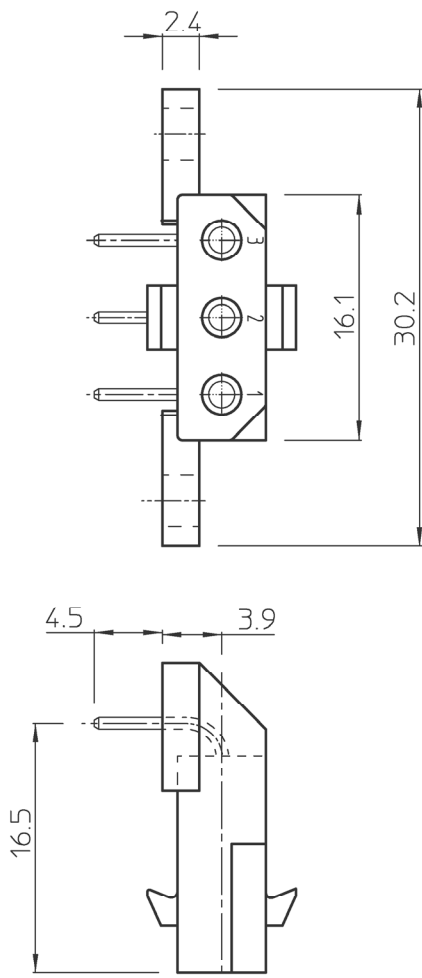


DIT IS ONZE EIGENDOM EN MAG NOCH NAGEMAAKT, HERDRUKT, OVERGEMAAKT AAN DERDEN, NOCH VOOR FABRIKATIE GEBRUIKT WORDEN, ZONDER ONZE SCHRIFTELIJKE TOELATING. BIJ NIET GEBRUIK IS DE TERUGZENDING VERPLICHT.

THIS IS OUR EXCLUSIVE PROPERTY. IT IS NOT TO BE COPIED, REPRINTED OR DISCLOSED TO A THIRD PARTY, NOR USED FOR MANUFACTURING WITHOUT OUR WRITTEN CONSENT, AND HAS TO BE RETURNED TO US IN CASE OF NO USAGE

BS, A , 202364, 001, 00

REV.	DATE	DESCRIPTION	BY	C'K'D'



**MATERIAL :**

HOUSING : GLASS FILLED POLYESTER UL94-V0, BLACK

CONTACTS : BRASS, GOLD OR TIN PLATED.

**PERFORMANCE CHARACTERISTICS :**

OPERATING TEMPERATURE : -55°C TO 125°C

INSULATING RESISTANCE : 5000 MΩ MIN.

TEST POTENTIAL : 2000 VAC

**NOTES :**

- CONNECTOR SUPPLIED FULLY LOADED WITH MACHINED CONTACTS.  
GOLD PLATED : SMS3GE5 ; GOLD FLASH : SMS3GE5J ; TIN PLATED : SMS3GE5T.
- MATING PARTS : SMS--P1 (WITHOUT CABLE HOOD )  
SMS--PDH1 (WITH INTEGRATED CABLE HOOD )
- DRILLING HOLE PATTERN : SEE DRAWING BS,C ,201713,000
- CONNECTOR MUST BE MOUNTED ON THE EDGE OF THE PRINTED CIRCUIT BOARD.

GEN. ST.	01	02	03	04	05	06	07	08	0D	50	60	70	80	90																	
INT. ST.	10	11	12	13	14	18	20	31	32	33	34	38	39	40	42	43	44	45	46	48	56	70	72	73	75	76	81	82	83	84	88

1DEC ±0,2 1DEC 2DEC ±0,1 2DEC ANGLES ±1° HOEKEN	<b>APPR.</b>	<b>DATE</b>	<b>SIGN.</b>	SMS QIKMATE RIGHT ANGLE FEM. REC. W. MACH. CONT.
	DRAFT	18-08-97	S. Van Dessel	<b>CAT. No.</b> SMS3GE5*
	CHECKED			
WE RESERVE THE RIGHT TO CHANGE DIMENSIONS OR REQUIREMENTS WITHOUT PRIOR NOTICE.	PROD. MGR.			<b>SOURIAU</b> Route Nationale 23 72470 CHAMPAGNE
	PR. ENG. MGR.			
	PR. MGT. MGR.			
ALL DIMENSIONS IN MM 	<b>REFERENCES / REFERENTIES</b>			SCALE 2 : 1
ALLE AFMETINGEN IN MM 				BS, A , 202364, 001, 00 DRAWING NR. CUSTOMER DRAWING