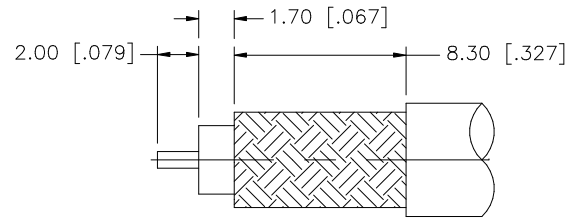
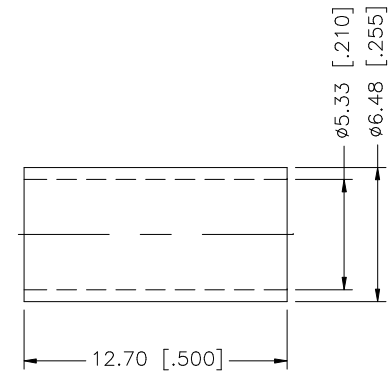
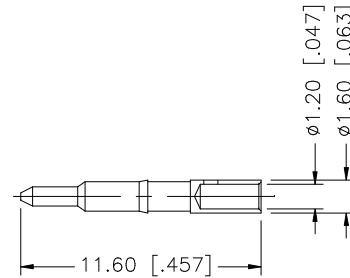
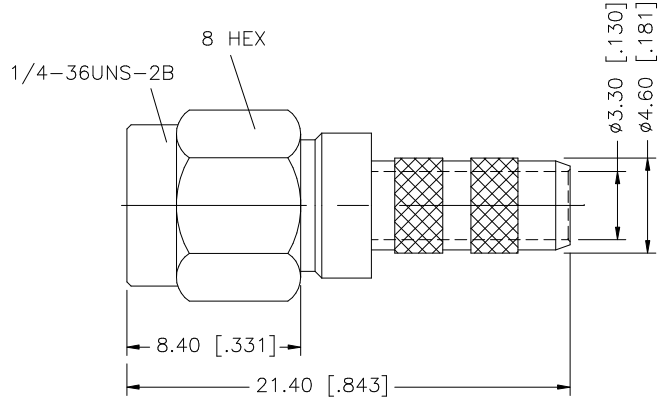


REV.	DATE	DESCRIPTION
A	01/25/04	UPDATE DRAWING FORMAT



RECOMMENDED
CABLE STRIPPING DIM'S



NOTE:

1. CRIMPED FERRULE
HEX CRIMP SIZE .213"
2. CONTACT PIN TO SOLDER

8				UNLESS OTHERWISE SPECIFIED DIMENSIONS ARE IN MILLIMETERS. DIMENSIONS IN [] ARE IN INCHES AND FOR CUSTOMER REFERENCE ONLY.	APPROVALS	DATE	Amphenol Connex			
7					DRAWN	G.R.S.				
6				UNLESS OTHERWISE SPECIFIED TOLERANCES FOR MILLIMETERS ARE: 0.5 - 8mm ± 0.20mm 8 - 30mm ± 0.40mm 30 - 120mm ± 0.50mm	CHECKED		PART DESCRIPTION SMA CRIMP PLUG (FOR TIMES LMR-200)			
5					ISSUED					
4	FERRULE	COPPER	GOLD		1	SHEET				
3	CONTACT PIN	BRASS	GOLD	1			PART NO. 132234			
2	INSULATOR	TEFLON	NATURAL	1						
1	BODY	BRASS	GOLD	1			DWG. NO. 132234.DWG			
DESCRIPTION				MATERIAL	FINISH	QTY				
							CAD FILE C:/132/132234.DWG			

Mouser Electronics

Authorized Distributor

Click to View Pricing, Inventory, Delivery & Lifecycle Information:

[Amphenol:](#)

[132234](#)