
CP2104 EVALUATION KIT USER'S GUIDE

1. Kit Contents

The CP2104 Evaluation Kit contains the following items:

- CP2104 Evaluation Board
- RS232 Serial Cable
- USB Cable
- DVD
- Quick Start Guide

2. Relevant Documentation

Application notes can be found on the Interface Application Notes page for all fixed-function devices: www.silabs.com/interface-appnotes.

- **AN721: CP210x/CP211x Device Customization Guide** — Customize the VID, PID, serial number, and other parameters stored in the CP2104 one-time programmable ROM.
- **AN197: Serial Communications Guide for CP210x** — Programming guide for using the Virtual COM Port (VCP) drivers.
- **AN169: USBXpress Programmer's Guide** — Programming guide for using the USBXpress drivers.
- **AN220: C8051F32x and CP210x USB Driver Customization** — VCP or USBXpress driver customization tool.
- **AN223: Port Configuration and GPIO for CP210x** — Programming guide and DLL for runtime control of the CP2104 GPIO pins.
- **AN571: CP210x Virtual COM Port Interface** — USB interface details for CP210x devices.

3. Software Setup

The Software Development Kit (SDK) for the CP2104 kit is included on the kit DVD. The latest version of this installer can also be downloaded from the www.silabs.com/interface-software website. This package includes:

- **Device Customization Utility (AN721)**
- **Documentation** — data sheet, application notes, user's guide, quick start guide, etc.
- **CP210x Virtual COM Port (VCP) Drivers**
- **Software** — Driver Customization Utility (AN220) and programming examples

The Windows installer should launch automatically after inserting the DVD. For Mac and Linux, browse to the appropriate directory on the DVD to install the software package. Follow the instructions to install the SDK and drivers to the system.

3.1. USBXpress Driver Development Kit

The Silicon Laboratories USBXpress® Development Kit provides a complete host software solution for interfacing to CP210x devices. No USB protocol or host device driver expertise is required. Instead, a simple, high-level Application Program Interface (API) for the host software is used to provide complete USB connectivity. The USBXpress Development Kit includes Windows device drivers, Windows device driver installer, host interface function library (host API) provided in the form of a Windows Dynamic Link Library (DLL). See Application Note AN169, "USBXpress Programmer's Guide" for detailed information on using the USBXpress drivers.

The USBXpress drivers are available here: www.silabs.com/usbxpress.

Click the USBXpress Development Kit link in the Download for Windows 2000/XP/Server 2003/Vista/Win7 section to download the USBXpress drivers. Run the installer and follow the steps to install the software to the desired

CP2104-EK

location. The default installation directory is *C:\SiLabs\MCU\USBXpress_SDK*.

Further installation instructions for the WinCE drivers can be found in the *ReadMe.txt* file contained inside the driver package.

4. CP2104 Hardware Interface

The evaluation board is connected to a PC as shown in Figure 1.

1. Connect one end of the USB cable to a USB Port on the PC.
2. Connect the other end of the USB cable to the USB connector on the CP2104 evaluation board.
3. Connect one end of the RS232 serial cable to the DB-9 connector on the CP2104 evaluation board.
4. Connect the other end of the RS232 serial cable to the target serial device.

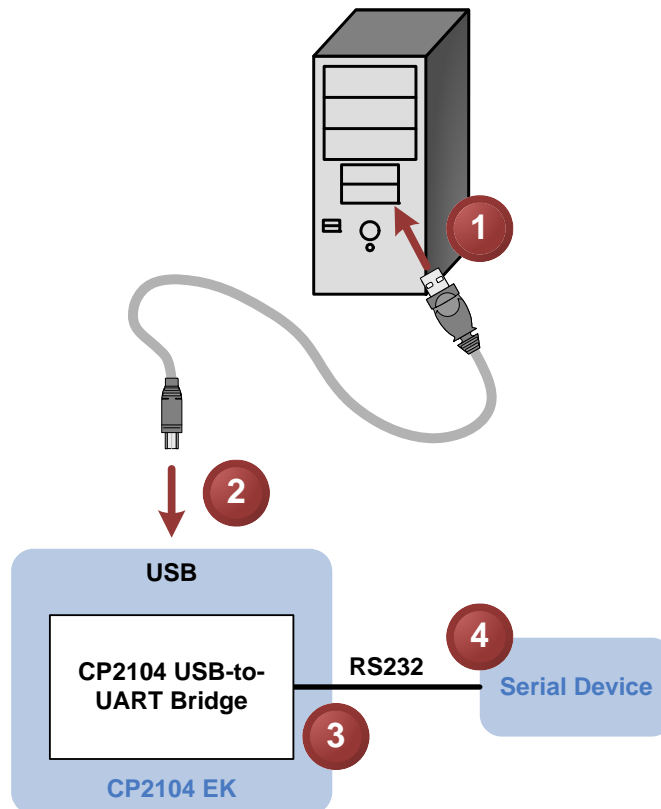


Figure 1. Hardware Setup

5. CP2104 Software Interface

If the Virtual COM Port drivers are used, the CP2104 will appear as a COM port in the Device Manager, as shown in Figure 2. The CP2104 will always use the lowest available COM port for operation. For instance, if COM ports 1 and 2 are in use by other peripherals and applications, the CP2104 will use COM 3.

The CP2104 functions identically to a COM port from the reference point of both the host application and the serial device, and it can support serial device control requests defined in the Microsoft Win32[®] Communications API. Examples for how to communicate with the device as a serial COM port are included in AN197 on the www.silabs.com/interface-appnotes page or in the SDK.

If the USBXpress drivers are used, the CP2104 will appear as a USB USBXpress device as shown in Figure 2. Examples for how to communicate with the device using the USBXpress interface are included in AN169 on the www.silabs.com/interface-appnotes page.

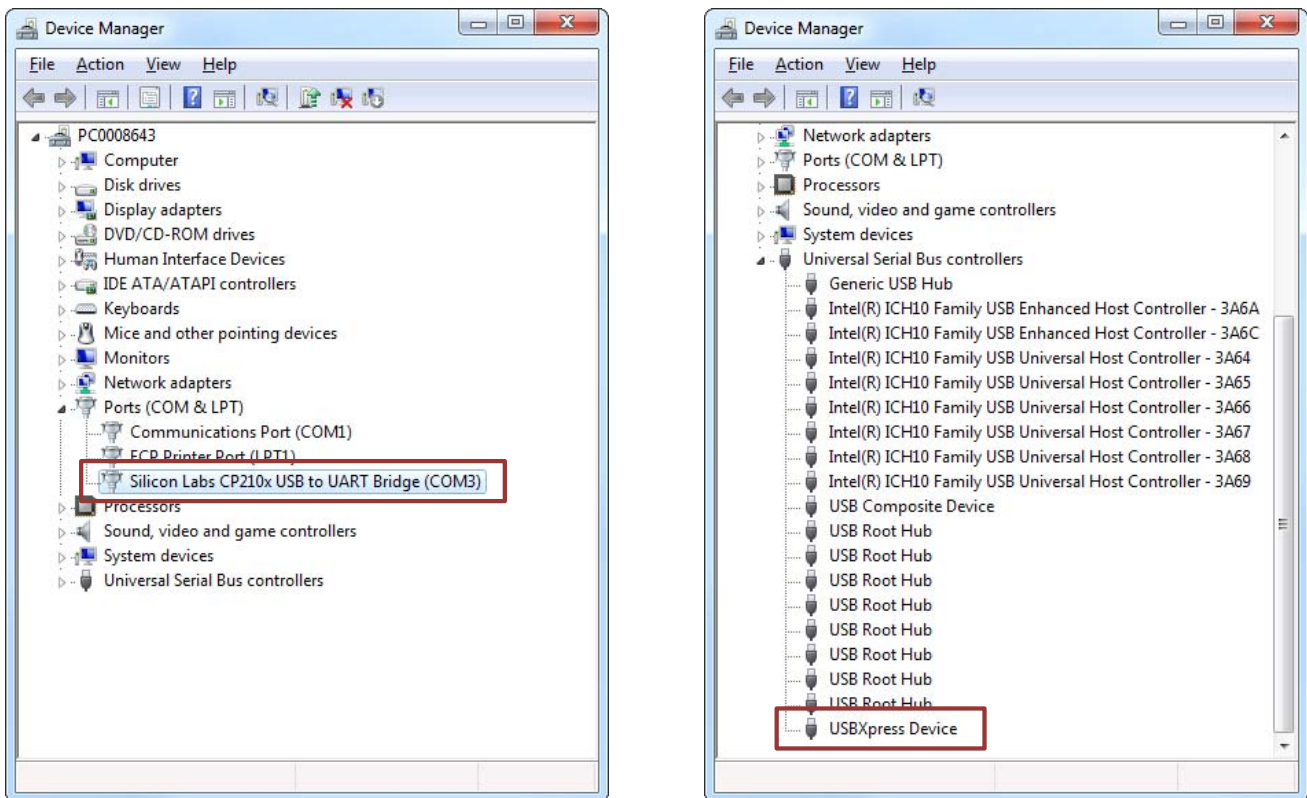


Figure 2. CP2104 in Device Manager

CP2104-EK

6. Evaluation Board

The CP2104 Evaluation Kit includes an evaluation board with a CP2104 device pre-installed for evaluation and preliminary software development. Numerous input/output (I/O) connections are provided to facilitate prototyping using the evaluation board. Refer to Figure 3 for the locations of the various I/O connectors.

- P1 USB connector for USB interface
- P2 DB9 connector for RS232 interface
- J1 UART signal access connector
- J2, J3 GPIO access connector
- J4 Power connector
- DS0–DS3 Green GPIO LEDs
- DS4 Red SUSPEND indicator LED

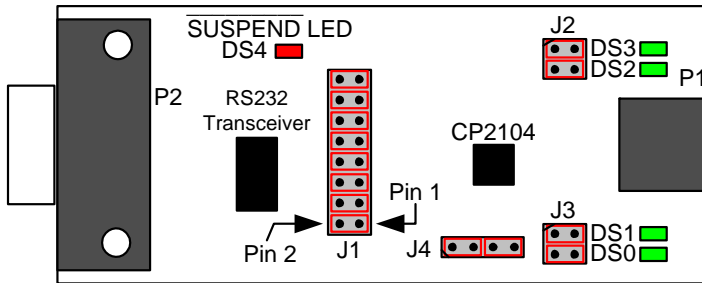


Figure 3. CP2104 Evaluation Board with Default Shorting Blocks Installed

6.1. LED Headers (J2, J3)

Connectors J2 and J3 are provided to allow access to the GPIO pins on the CP2104. Place shorting blocks on J2 and J3 to connect the GPIO pins to the four green LEDs DS0–DS3. These LEDs can be used to indicate active communications through the CP2104. Table 1 shows the LED corresponding to each header position.

Table 1. J2 and J3 LED Locations

LED	Pins
DS0	J3[3:4]
DS1	J3[1:2]
DS2	J2[3:4]
DS3	J2[1:2]

6.2. Universal Serial Bus (USB) Interface (P1)

A Universal Serial Bus (USB) connector (P1) is provided to facilitate connections to the USB interface on the CP2104. See Table 2 for the USB pin definitions.

Table 2. USB Connector Pin Descriptions

Pin #	Description
1	VBUS
2	D-
3	D+
4	GND (Ground)

6.3. UART Signals (P2, J1)

An RS232 transceiver circuit and DB9 connector (P2) are provided on the evaluation board to connect the CP2104 virtual serial port to external serial devices. See Table 3 for the RS232 P2 pin descriptions. The J1 connector is provided to facilitate direct access to the CP2104's UART signals. Shorting blocks on J1 are required to connect the UART signals to P2. See Table 4 for J1 pin descriptions.

Table 3. RS232 Pin Descriptions

Pin	Signal	CP2104 Direction	Description
1	DCD	Input	Data Carrier Detect
2	RXD	Input	Receive Data
3	TXD	Output	Transmit Data
4	DTR	Output	Data Terminal Ready
5	GND		Ground
6	DSR	Input	Data Set Ready
7	RTS	Output	Request to Send
8	CTS	Input	Clear to Send
9	RI	Input	Ring Indicator

Table 4. J1 Pin Descriptions

Pins	Signal	CP2104 Direction	Description
1–2	TXD	Output	Transmit Data
3–4	RXD	Input	Receive Data
5–6	DTR	Output	Data Terminal Ready
7–8	RI	Input	Ring Indicator
9–10	DCD	Input	Data Carrier Detect
11–12	DSR	Input	Data Set Ready
13–14	CTS	Input	Clear to Send
15–16	RTS	Output	Request to Send

6.4. Power Connector (J4)

This header (J4) is included on the evaluation board to provide several power options. The following describes the function of each pin:

- Pins 1–2: Connects CP2104 VIO input (Pin 5) to CP2104 VDD (Pin 6). Remove the shorting block to power VIO from an external source.
- Pins 3–4: Connects the main +3 V net to the CP2104 VDD (Pin 6). The main +3 V net powers the other components (four green LEDs and RS232 Sipex Part) on the evaluation board.

7. Schematic

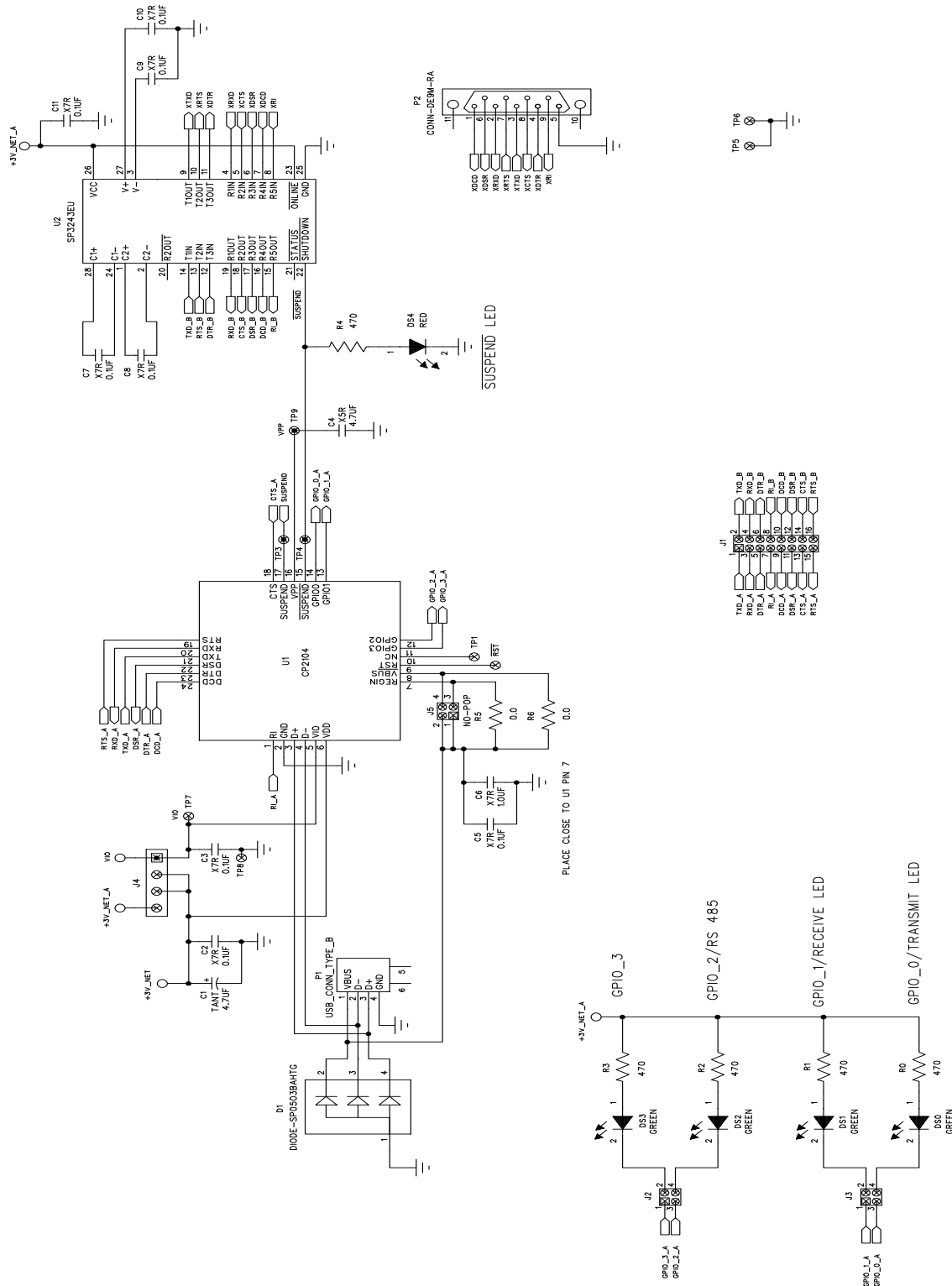


Figure 4. CP2104 Evaluation Board Schematic

DOCUMENT CHANGE LIST

Revision 0.1 to Revision 0.2

- Updated "6.4. Power Connector (J4)" on page 5 to reflect the updated schematic.
- Updated J4 in Figure 4, "CP2104 Evaluation Board Schematic," on page 6.

Revision 0.2 to Revision 0.3

- Updated "7. Schematic" on page 6.

Revision 0.3 to Revision 0.4

- Updated "2.1.1. Virtual COM Port Driver Installation for Windows" on page 1.
- Updated "2.2.1. USBXpress Installation for Windows" on page 2.
- Removed "2.2.2. USBXpress Installation for Windows 98SE" on page 2.

Revision 0.4 to Revision 0.5

- Updated Figure 3 with shorting blocks installed.

Revision 0.5 to Revision 0.6

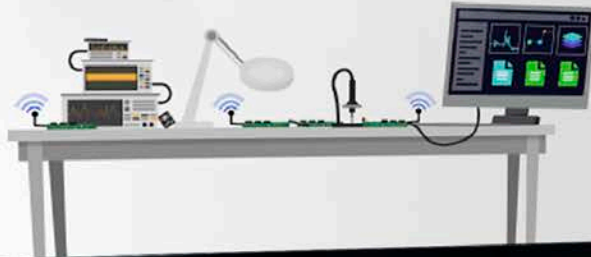
- Updated "3. Software Setup" on page 1.

Revision 0.6 to Revision 0.7

- Updated "1. Kit Contents" to change CD-ROM to DVD.
- Added "2. Relevant Documentation".
- Updated "3. Software Setup" to point to the drivers on the website.
- Updated Figure 1 and Figure 2.

Silicon Labs

Simplicity Studio™4



Simplicity Studio

One-click access to MCU and wireless tools, documentation, software, source code libraries & more. Available for Windows, Mac and Linux!



IoT Portfolio
www.silabs.com/IoT



SW/HW
www.silabs.com/simplicity



Quality
www.silabs.com/quality



Support and Community
community.silabs.com

Disclaimer

Silicon Labs intends to provide customers with the latest, accurate, and in-depth documentation of all peripherals and modules available for system and software implementers using or intending to use the Silicon Labs products. Characterization data, available modules and peripherals, memory sizes and memory addresses refer to each specific device, and "Typical" parameters provided can and do vary in different applications. Application examples described herein are for illustrative purposes only. Silicon Labs reserves the right to make changes without further notice and limitation to product information, specifications, and descriptions herein, and does not give warranties as to the accuracy or completeness of the included information. Silicon Labs shall have no liability for the consequences of use of the information supplied herein. This document does not imply or express copyright licenses granted hereunder to design or fabricate any integrated circuits. The products are not designed or authorized to be used within any Life Support System without the specific written consent of Silicon Labs. A "Life Support System" is any product or system intended to support or sustain life and/or health, which, if it fails, can be reasonably expected to result in significant personal injury or death. Silicon Labs products are not designed or authorized for military applications. Silicon Labs products shall under no circumstances be used in weapons of mass destruction including (but not limited to) nuclear, biological or chemical weapons, or missiles capable of delivering such weapons.

Trademark Information

Silicon Laboratories Inc.®, Silicon Laboratories®, Silicon Labs®, SiLabs® and the Silicon Labs logo®, Bluegiga®, Bluegiga Logo®, Clockbuilder®, CMEMS®, DSPLL®, EFM®, EFM32®, EFR®, Ember®, Energy Micro, Energy Micro logo and combinations thereof, "the world's most energy friendly microcontrollers", Ember®, EZLink®, EZRadio®, EZRadioPRO®, Gecko®, ISOModem®, Precision32®, ProSLIC®, Simplicity Studio®, SiPHY®, Telegesis, the Telegesis Logo®, USBXpress® and others are trademarks or registered trademarks of Silicon Labs. ARM, CORTEX, Cortex-M3 and THUMB are trademarks or registered trademarks of ARM Holdings. Keil is a registered trademark of ARM Limited. All other products or brand names mentioned herein are trademarks of their respective holders.



Silicon Laboratories Inc.
400 West Cesar Chavez
Austin, TX 78701
USA

<http://www.silabs.com>

Mouser Electronics

Authorized Distributor

Click to View Pricing, Inventory, Delivery & Lifecycle Information:

[Silicon Laboratories:](#)

[CP2104EK](#)