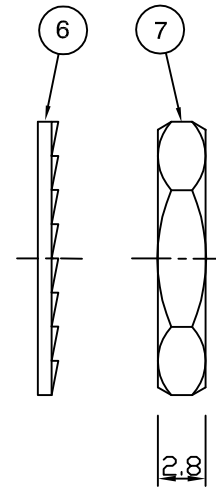
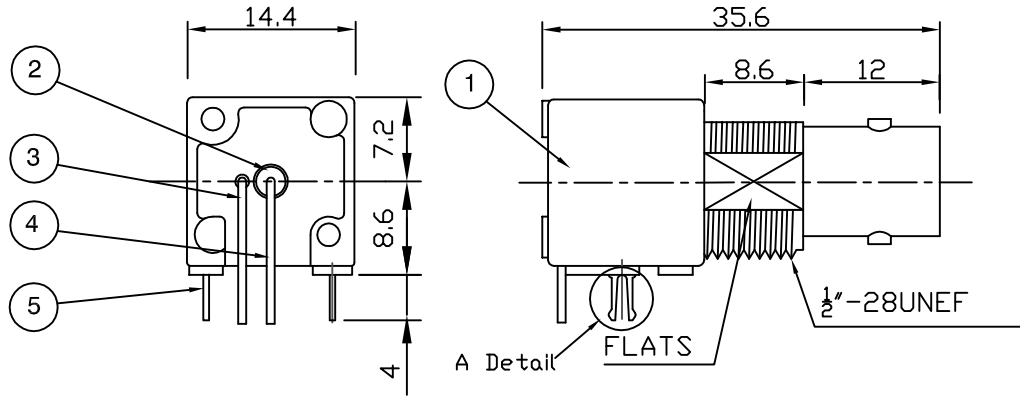


RoHS COMPLIANT



**Electrical Characteristics**

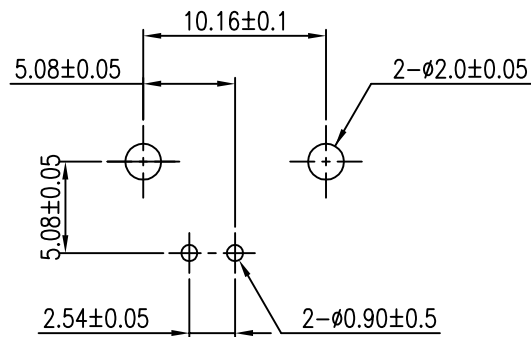
Nominal Impedance:	75 ohms
Frequency Range:	DC to 1 GHz
VSWR:	1.3:1 maximum
Insertion Loss:	0.2 dB at 4 GHz
Operating Voltage (rms):	500 V maximum at sea level
Dielectric Withstand Voltage (rms):	1500 V maximum at sea level
Contact Resistance:	3.0 milliohms maximum
Insulation Resistance:	500 megohms minimum

**Mechanical Characteristics**

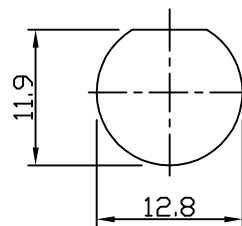
Mating Cycles:	500 cycles minimum
Interface Dimensions:	Conform to MIL-C-39012

**Environmental Characteristics**

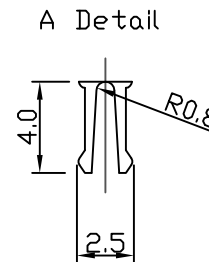
Temperature Range:	-55 °C to +85 °C
--------------------	------------------



RECOMMENDED PCB LAYOUT



RECOMMENDED PANEL CUTOUT



REF.	DESCRIPTION	MATERIAL	PLATING
1	Body	Zinc Alloy	Nickel
2	Insulator	Polypropylene	
3	Ground Terminal	Copper-clad steel	Tin
4	Contact	Phosphor	Gold
5	Mounting Post	Phosphor	Tin > 5Microns
6	Lock Washer	Brass	Nickel
7	Hex Nut	Brass	Nickel

DESCRIPTION OF REVISION	APPVD	ISS	DATE
Dimension Updated	LB	4	31 Jan 12
Complete Update	KA	3	17 Mar 08
Plating Thickness added	MS	2	15 Jan 08
First Issue	SN	1	09 Nov 01



Cinch Connectivity Solutions  
7-13 Russel Way,  
Widford Industrial Estate,  
Chelmsford, Essex,  
CM1 3AA, UK.  
Tel: +44 (0) 1245 359515  
Fax: +44 (0) 1245 358938

SCALE: Not To Scale

DIMENSIONS: mm

TOLERANCES:  
± 0.2mm unless  
otherwise stated

DRAWN BY:	S Nash
CHECKED BY:	P Couzens
APPROVED BY:	R Drennan
DATE:	09 Nov 01

TITLE:  
**BNC Right Angle PCB Mount  
Jack With Self Captivating  
Legs**

PART NUMBER: <b>VBM201C-75</b>
PAGE: 1 of 1

# Mouser Electronics

Authorized Distributor

Click to View Pricing, Inventory, Delivery & Lifecycle Information:

[Cinch Connectivity Solutions:](#)

[VBM201C-75](#)